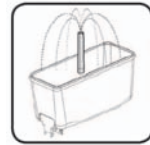
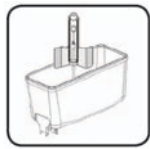




Project:
Item Number:
Quantity:

REFRIGERATED BEVERAGE DISPENSERS WITH 3.17 AND 5.28 GALLON BOWLS



VBBE1-37-F



VBBE2-37-F



VBBE3-37-F



VBBE4-37-F

DESCRIPTION

From tea to lemonade to juice, Vollrath® refrigerated beverage dispensers quench the market's thirst for quality, versatility, dependability and efficiency. These countertop dispensers can accommodate any level of operation and are aesthetically pleasing.

These machines are not intended for use with beverages that include pieces of fruit, large pulp or seeds because these could block the spigot or mixing motor.

WARRANTY

All models come with a one year warranty for parts and labor, two year parts-only warranty on replacement parts, and five years parts-only warranty on the compressor. For full warranty details, please refer to www.Vollrath.com.

CLEARANCE AND ENVIRONMENT REQUIREMENTS

- Requires 6" (15 cm) clearance on all sides.
- Ambient temperature: 41° - 86°F (5° - 30° C).
- Indoor use only.

AGENCY LISTINGS



Listed by ETL
 Bras Internationale S.P.A. Juice
 Dispenser - Maestrale Range



Certified by NSF
 Bras Internationale S.P.A. Juice
 Dispenser - Maestrale Range

Due to continued product improvement, please consult www.vollrath.com for current product specifications.

ITEMS

Item No.	Description
VBBD1-37-S	One 3.17-Gallon Bowl, Stirring Paddle
VBBD2-37-S	Two 3.17-Gallon Bowls, Stirring Paddle
VBBD3-37-S	Three 3.17-Gallon Bowls, Stirring Paddle
VBBD4-37-S	Four 3.17-Gallon Bowls, Stirring Paddle
VBBD1-37-F	One 3.17-Gallon Bowl, Fountain Spray
VBBD2-37-F	Two 3.17-Gallon Bowls, Fountain Spray
VBBD3-37-F	Three 3.17-Gallon Bowls, Fountain Spray
VBBD4-37-F	Four 3.17-Gallon Bowls, Fountain Spray
VBBE1-37-S	One 5.28-Gallon Bowl, Stirring Paddle
VBBE2-37-S	Two 5.28-Gallon Bowls, Stirring Paddle
VBBE3-37-S	Three 5.28-Gallon Bowls, Stirring Paddle
VBBE4-37-S	Four 5.28-Gallon Bowls, Stirring Paddle
VBBE1-37-F	One 5.28-Gallon Bowl, Fountain Spray
VBBE2-37-F	Two 5.28-Gallon Bowls, Fountain Spray
VBBE3-37-F	Three 5.28-Gallon Bowls, Fountain Spray
VBBE4-37-F	Four 5.28-Gallon Bowls, Fountain Spray

FEATURES

- Available in 1-4-bowl configurations with 3.17 or 5.28 gallon (12 or 20L) bowls.
- Available with mechanical drive stirring paddle or magnetic drive fountain spray bowl circulation.
- Stirring paddle circulation is suitable for most beverages, and is recommended for beverages that can foam such as coffee, tea and natural fruit juices.
- Fountain spray circulation is suitable for many beverages, but is not recommended for beverages that can foam such as coffee, tea and natural fruit juices.
- Each bowl has its own thermostat to help keep beverages at a consistent temperature and quality.
- Stainless steel cabinet.
- Easily-removable bowls and dispensing handles.
- Stainless steel, drip-free spigot.
- Gravity feed spigot quickly dispenses beverages without mechanical or electrical assistance.
- One easy-to-use rocker switch controls refrigeration.
- Individual bowl circulation rocker switches enable bowl circulation to be switched off when a bowl is not in use.
- Clear, polycarbonate bowls are visual merchandisers that allow customers to quickly choose their favorite chilled beverage.
- Spacious ABS plastic drip trays contain errant liquid to help keep countertops clean.
- White Glove Service provides assistance 24 hours a day, seven days a week.

Approvals	Date



vollrathfoodservice.com

The Vollrath Company, L.L.C.
 1236 North 18th Street
 Sheboygan, WI 53081-3201 U.S.A.
 Main Tel: 800.624.2051 or 920.457.4851
 Main Fax: 800.752.5620 or 920.459.6573
 Customer Service: 800.628.0830
 Canada Customer Service: 800.695.8560

Technical Service Information



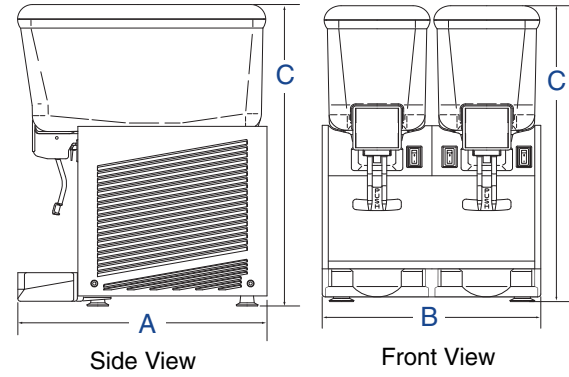
Every machine includes White Glove Service. One call does it all – customer service, technical service, parts or warranty information, installation, startup, sales, on-site service dispatch and much more. Available 24 hours a day, seven days a week year-round.

800-319-9549 (U.S. Toll Free)
 920-894-2293 (Outside the U.S.)

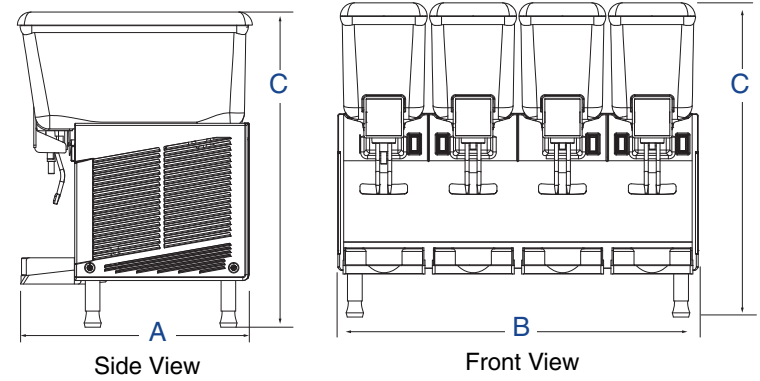
REFRIGERATED BEVERAGE DISPENSERS WITH 3.17 AND 5.28 GALLON BOWLS

DIMENSIONS (Shown in inches (cm))

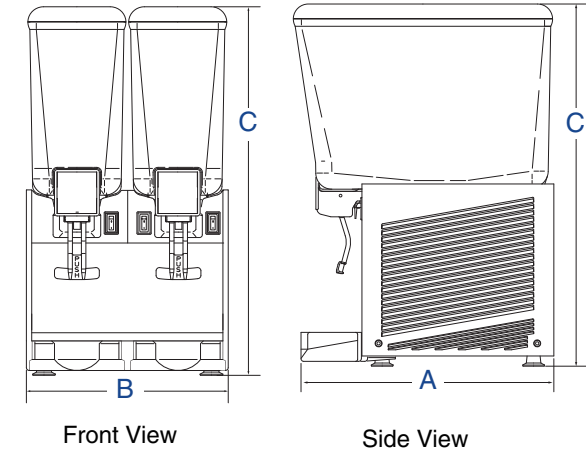
3.17 Gallon One, Two and Three Bowl Machines



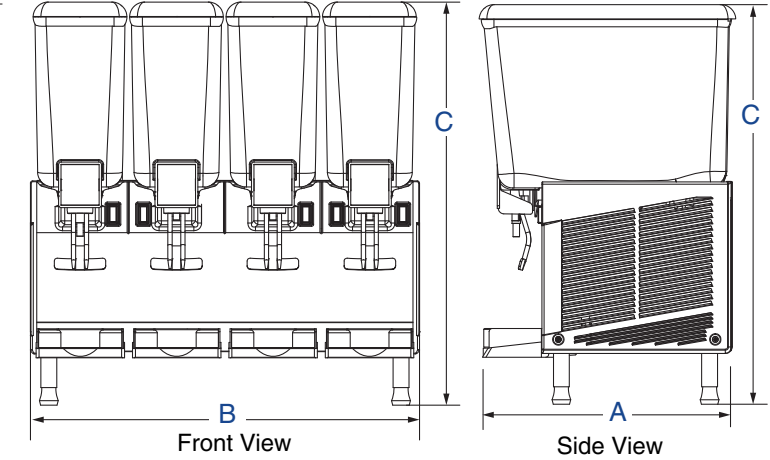
3.17 Gallon Four Bowl Machines have 4" legs



5.28 Gallon One and Two Bowl Machines



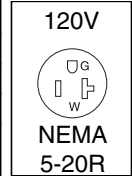
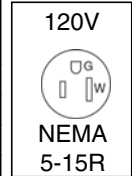
5.28 Gallon Three and Four Bowl Machines have 4" legs



SPECIFICATIONS

Item No.	Capacity Per Bowl Gal. (L)	Bowl Circulation	No. of Bowls	Dimensions IN (CM)			Comp. BTU/Hr	Refrig.	Volts	Amps	Hz	NEMA Plug	Weight LB (KG)	
				(A) Depth	(B) Width	(C) Height								
VBBD1-37-S	3.17 (12)	Stirring Paddle	1	18½ (47.1)	7 ⁹ / ₁₆ (18.5)	22 ³ / ₈ (57)	1520	R134a	115	7.2	60	5-15P	37.5 (17)	
VBBD2-37-S			2		14 ⁷ / ₁₆ (36.8)		1830						55.1 (25)	
VBBD3-37-S			3		21½ (54.6)		5719						R404a	75 (34)
VBBD4-37-S			4		28 ⁵ / ₈ (72.6)		2x 1830						R134a	110.2 (50)
VBBD1-37-F	3.17 (12)	Fountain Spray	1	18½ (47.1)	7 ⁹ / ₁₆ (18.5)	22 ³ / ₈ (57)	1520	R134a	115	7.2	60	5-15P	37.5 (17)	
VBBD2-37-F			2		14 ⁷ / ₁₆ (36.8)		1830						55.1 (25)	
VBBD3-37-F			3		21½ (54.6)		5719						R404a	75 (34)
VBBD4-37-F			4		28 ⁵ / ₈ (72.6)		2x 1830						R134a	110.2 (50)
VBBE1-37-S	5.28 (20)	Stirring Paddle	1	18½ (47.1)	7 ⁹ / ₁₆ (18.5)	26 ³ / ₄ (68)	1520	R134a	115	8	60	5-15P	39.7 (18)	
VBBE2-37-S			2		14 ⁷ / ₁₆ (36.8)		1830						79.4 (36)	
VBBE3-37-S			3		21½ (54.6)		5719						R404a	83.4 (38)
VBBE4-37-S			4		28 ⁵ / ₈ (72.6)		2x 1830						R134a	116.8 (53)
VBBE1-37-F	5.28 (20)	Fountain Spray	1	18½ (47.1)	7 ⁹ / ₁₆ (18.5)	26 ³ / ₄ (68)	1520	R134a	115	8	60	5-15P	39.7 (18)	
VBBE2-37-F			2		14 ⁷ / ₁₆ (36.8)		1830						79.4 (36)	
VBBE3-37-F			3		21½ (54.6)		5719						R404a	83.4 (38)
VBBE4-37-F			4		28 ⁵ / ₈ (72.6)		2x 1830						R134a	116.8 (53)

Receptacles



vollrathfoodservice.com

The Vollrath Company, L.L.C.

1236 North 18th Street
 Sheboygan, WI 53081-3201 U.S.A.
 Main Tel: 800.624.2051 or 920.457.4851
 Main Fax: 800.752.5620 or 920.459.6573
 Customer Service: 800.628.0830
 Canada Customer Service: 800.695.8560

Technical Service Information



Every machine includes White Glove Service. One call does it all – customer service, technical service, parts or warranty information, installation, startup, sales, on-site service dispatch and much more. Available 24 hours a day, seven days a week year-round.
 800-319-9549 (U.S. Toll Free)
 920-894-2293 (Outside the U.S.)