

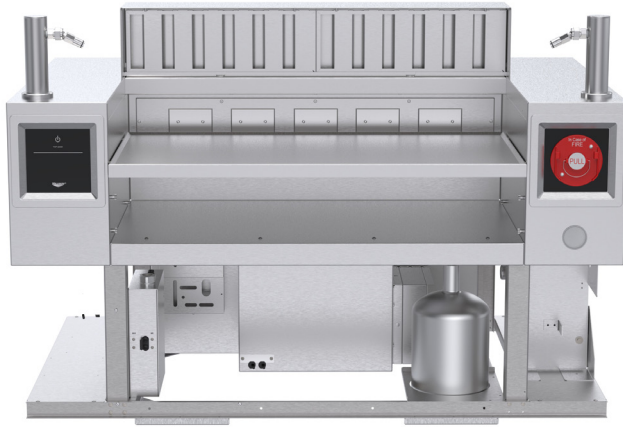




**Project:**

**Item Number:**

**Quantity:**

**FLEXVENT™ SLIDE-IN WITH DOWNDRAFT VENT SYSTEM AND FIRE SUPPRESSION**



Item	Model
FC-6DV-36	FC-6DV
Description	
Self-contained, slide-in unit with Downdraft Vent System and fire suppression.	
Certifications	
UL 710B Recognized	
UL Classified to NSF2	

**DESCRIPTION**

Vollrath® FlexVent™ is a slide-in unit with Downdraft Vent System and fire suppression. It is designed for presentation cooking to eliminate the need for bulky exhaust hoods. The self-contained unit is customizable for use with a variety of electrical cooking appliances including: induction ranges, griddles, sandwich presses, and fryers. The adjustable shelf accommodates various appliance and cooking vessel heights to comply with health code and Authority Having Jurisdiction (AHJ) requirements. This UL Recognized station can be installed over, under, or flush with a countertop to integrate with your serving line design.

**STANDARD FEATURES**

- Self-contained Downdraft Recirculating Vent System and fire suppression eliminates bulky exhaust hoods
- Customizable cord-and-plug electrical cooking appliance configurations offer versatility\*
- Adjustable shelf adapts to ergonomic, code, and fire suppression requirements
- Versatile over, under, or flush with countertop installation allows for design flexibility
- Adaptable breath guard accommodation facilitates code compliance — consult with your local Health Department and AHJ for requirements
- Operator-side service access creates a finished look
- Configurable LED lighting switch (lights not included)
- UL 710B Recognized, UL Classified to NSF2

**\*Unit is not intended for use with gas appliances. Cooking appliances are sold separately.**

**REPLACEMENT PARTS**

Item	Description
352035-2 (2)	<input type="checkbox"/> UL Classified Grease Filter
352010-1 (2)	<input type="checkbox"/> Carbon/Particulate Filter

**WARRANTY**

Model shown comes with a Vollrath® 12-month sale to End User OR 18-month sale to Dealer warranty against defects in materials and workmanship. For full warranty details, please visit [vollrathfoodservice.com](http://vollrathfoodservice.com).

Due to continued product improvement, please consult [vollrathfoodservice.com](http://vollrathfoodservice.com) for current product specifications.

**NOTE: This product is UL Recognized. UL recognized components are incomplete in certain constructional features and require professional installation and subsequent evaluation to relevant standards.**

**NOTE: The unit is made to order and cannot be canceled or returned.**

**INSTALLATION**

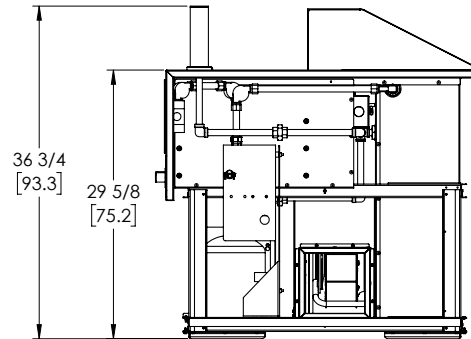
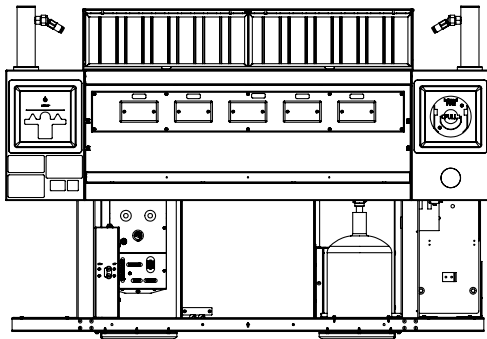
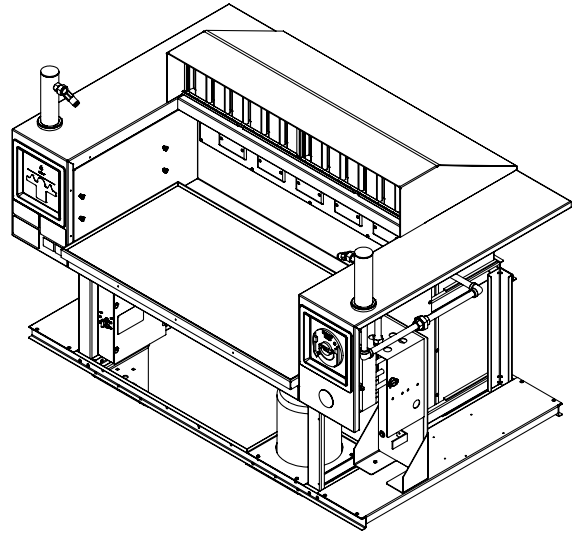
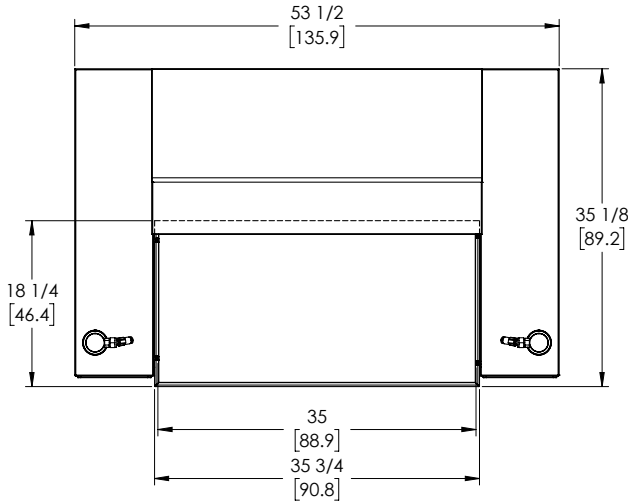
- Ensure ceiling height is a minimum of 96”.
- AHJ approvals are required for all appliances and configurations.

**FIRE SUPPRESSION**

FlexVent will not operate until the Fire Suppression System is charged, inspected, and commissioned by an ANSUL® distributor; find yours at [www.ansul.com](http://www.ansul.com).

# FLEXVENT™ SLIDE-IN WITH DOWNDRAFT VENT SYSTEM AND FIRE SUPPRESSION

## DIMENSIONS – INCHES (CM)



## SPECIFICATIONS

Item FC-6DV-36	Model FC-6DV	Electrical				Shelf Weight Limit
		VAC	Hz	W	Amps	
FlexVent		120	60	420	3.4	120 lb
Max. Configurable Appliance Load*		120/208-240	60	7200	30	

\*Total maximum weight limit for the shelf is 120 pounds, evenly distributed. Compliance with this limit is required for the safe operation of FlexVent.

## DIMENSIONS

Height	Width	Depth	Appliance Area	
36 3/4" [93.3 cm]	53 1/2" [135.9 cm]	35 1/8" [89.2 cm]	18 1/4" D [46.4 cm]	35" W [88.9 cm]



**The Vollrath Company, L.L.C.**  
 1236 North 18th Street  
 Sheboygan, WI 53081-3201 U.S.A.  
 Main Tel: 800.624.2051 or 920.457.4851  
 Main Fax: 800.752.5620 or 920.459.6573  
 Customer Service: 800.628.0830

Technical Services  
 techservicereps@vollrathco.com  
 Induction Products: 800.825.6036  
 Countertop Warming Products: 800.354.1970  
 Form Number L36254 | 1/17/23  
 © 2023 The Vollrath Company L.L.C.