

VL-18CB-HD PART LIST			
Item	P/N	Description	Usage
1	N/A	Gas system	1
2	352509-1	REGULATOR 5IN WC	1
3	353421-1	DRIP TRAY - 18IN CB	1
4	N/A	Intake pipe support plate	1
5	N/A	Front baffle	1
6	353470-1	BURNER SUPPORT - 18IN HDCB	1
7	N/A	Rear panel	1
8	N/A	Grease chute	1
9	N/A	Cast iron grid	4
9/11/12	352574-1	LAVA ROCK KIT - 18IN HDCB	1
10	353444-1	HDCB COOKING GRATE	3
13	353423-1	GRATE SUPPORT - 18IN HDCB	1
14	N/A	Apron rear plate	1
15	N/A	Apron side plate	2
16	353445-1	HDCB BURNER RADIANT	3
17	N/A	Table plate	1
18	N/A	Apron front plate	1
19	N/A	Side plate	2
20	N/A	Insulation cotton	2
21	N/A	Side plate inner seal	2
22	353376-1	LEG, GAS APPLIANCE	4
23	353484-1	DRIP TRAY SUPPORT, HDCB	2
24	353420-1	FASCIA - 18IN HD CHARBROIL	1
25	N/A	Front panel	1
26	353373-1	CONTROL KNOB LG INSERT	3

Item	Part#	Usage
a	M5 self-tapping	30
b	M12 screw nut	4

ZONE	REV	DESCRIPTION	ECO	BY	APP	DATE
REVISIONS						

THE VOLLRATH CO.,LLC

SANTA COLOMA, ESP
XIAN, CHN
DANE, WI USA
KIEL, WI USA
CANANDAIGUA, NY USA
MENOMONEE FALLS, WI USA
SHEBOYGAN, WI USA
MAIZE, KS USA
NEWPORT, MN USA

THIRD ANGLE

-DO NOT SCALE THIS DRAWING- TOLERANCE UNLESS SPECIFIED

X.X = ±
X.XX = ±
X.XXX = ±
ANGLES = ± °

THIS PRINT REMAINS THE PROPERTY OF THE VOLLRATH CO. LLC. ALL INFORMATION CONTAINED THEREON IS CONFIDENTIAL. IT IS LOANED, SUBJECT TO RETURN UPON DEMAND, AND ON THE EXPRESS CONDITION THAT IT IS NOT TO BE COPIED OR USED DIRECTLY OR INDIRECTLY IN ANY WAY WHATSOEVER DETRIMENTAL TO OUR INTERESTS. THIS DRAWING AND PRINCIPLES OF DESIGN ARE NOT TO BE REPRODUCED, COPIED OR LOANED IN PART OR WHOLE WITHOUT THE EXPRESS PRIOR WRITTEN CONSENT OF THE VOLLRATH CO. LLC.

DIMENSIONS ARE IN INCHES UNLESS OTHERWISE NOTED

TITLE: **18" HD Charbroiler**

DRAWN BY:	APPROVED BY: RDK	ECO: 26981	DATE: 2/9/2022	PRODUCT:	REV
SCALE: 1:10				FILE NAME: VL-18CB-HD(CBGHD-18)	PRODUCT CODE:

6

5

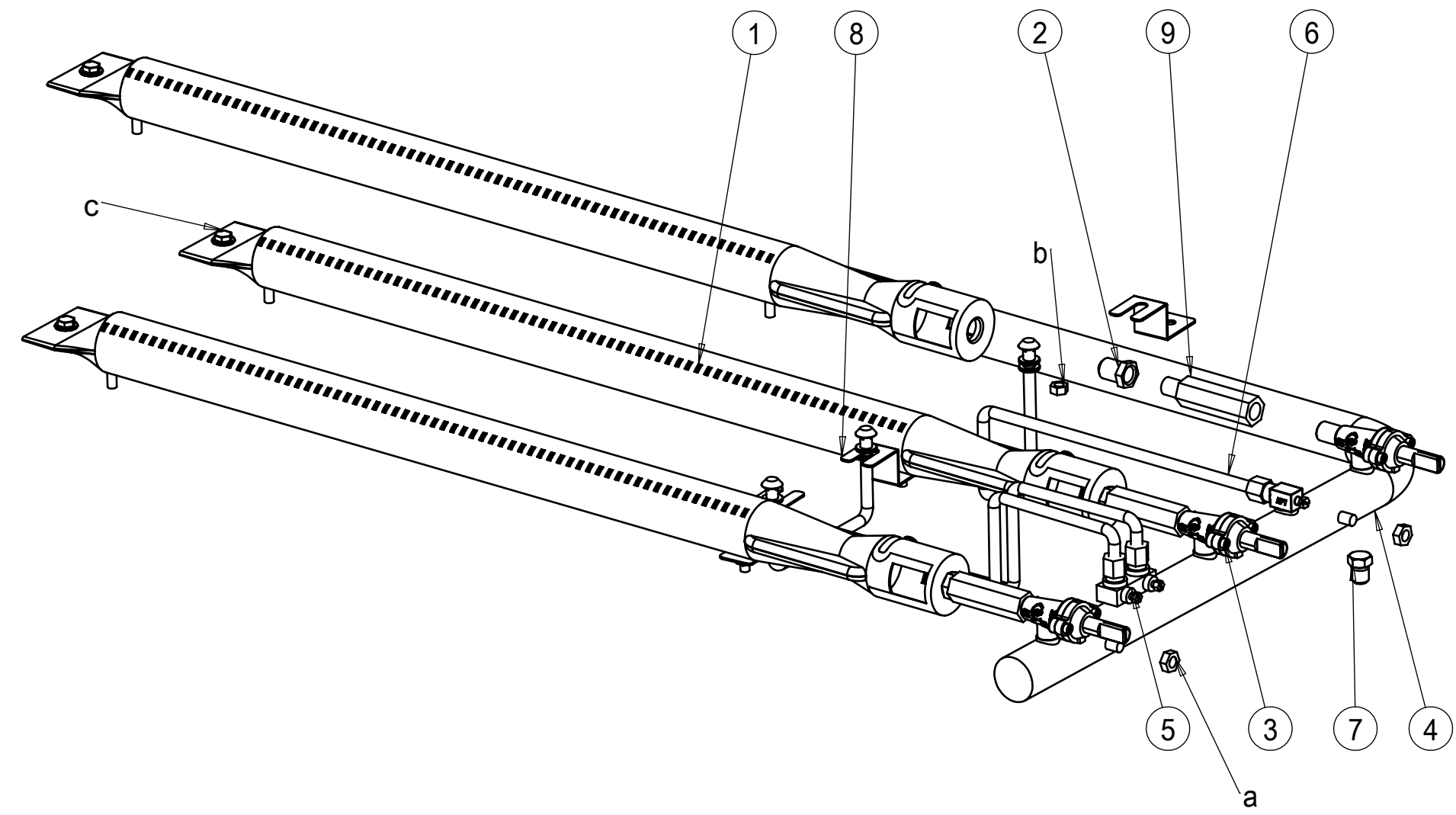
4

3

2

1


SHEET	ITEM NO.
2 OF 3	CBGHD-18



VL-18CB-HD PART LIST			
Item	P/N	Description	Usage
1	353439-1	BURNER/PILOT ASSY - HDCB	3
2	353440-1	HD CB ORIFICE - NAT GAS	3
	353441-1	HD CB ORIFICE - LP	3
3	353367-1	MANUAL CONTROL VALVE	3
4	353460-1	MANIFOLD - 18IN HDCB	1
5	N/A	Pilot Valve	2
6	N/A	Pilot Light w/ Tubing	3
7	N/A	Test plug screw	1
8	N/A	Tinder fixed plate	3
9	352502-1	HDCB VALVE CONNECTION	3

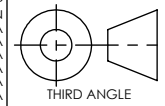
Item	Part#	Usage
a	M6 screw nut	2
b	M5 screw nut	3
c	M5 self-tapping	3

ZONE	REV	DESCRIPTION	ECO	BY	APP	DATE
REVISIONS						



THE VOLLRATH CO.,LLC

SANTA COLOMA, ESP
XIAN, CHN
DANE, WI USA
KIEL, WI USA
CANANDAIGUA, NY USA
MENOMONEE FALLS, WI USA
SHEBOYGAN, WI USA
MAIZE, KS USA
NEWPORT, MN USA



THIRD ANGLE

-DO NOT SCALE THIS DRAWING- TOLERANCE UNLESS SPECIFIED

THIS PRINT REMAINS THE PROPERTY OF THE VOLLRATH CO. LLC. ALL INFORMATION CONTAINED THEREON IS CONFIDENTIAL. IT IS LOANED, SUBJECT TO RETURN UPON DEMAND, AND ON THE EXPRESS CONDITION THAT IT IS NOT TO BE COPIED OR USED DIRECTLY OR INDIRECTLY IN ANY WAY WHATSOEVER DETRIMENTAL TO OUR INTERESTS. THIS DRAWING AND PRINCIPLES OF DESIGN ARE NOT TO BE REPRODUCED, COPIED OR LOANED IN PART OR WHOLE WITHOUT THE EXPRESS PRIOR WRITTEN CONSENT OF THE VOLLRATH CO. LLC.

DIMENSIONS ARE IN INCHES UNLESS OTHERWISE NOTED

TITLE: 18" HD Charbroiler

DRAWN BY:	APPROVED BY: RDK	ECO: 26981	DATE: 2/9/2022	PRODUCT:	REV -
SCALE: 1:3		FILE NAME: VL-18CB-HD(CBGHD-18)		PRODUCT CODE:	

6

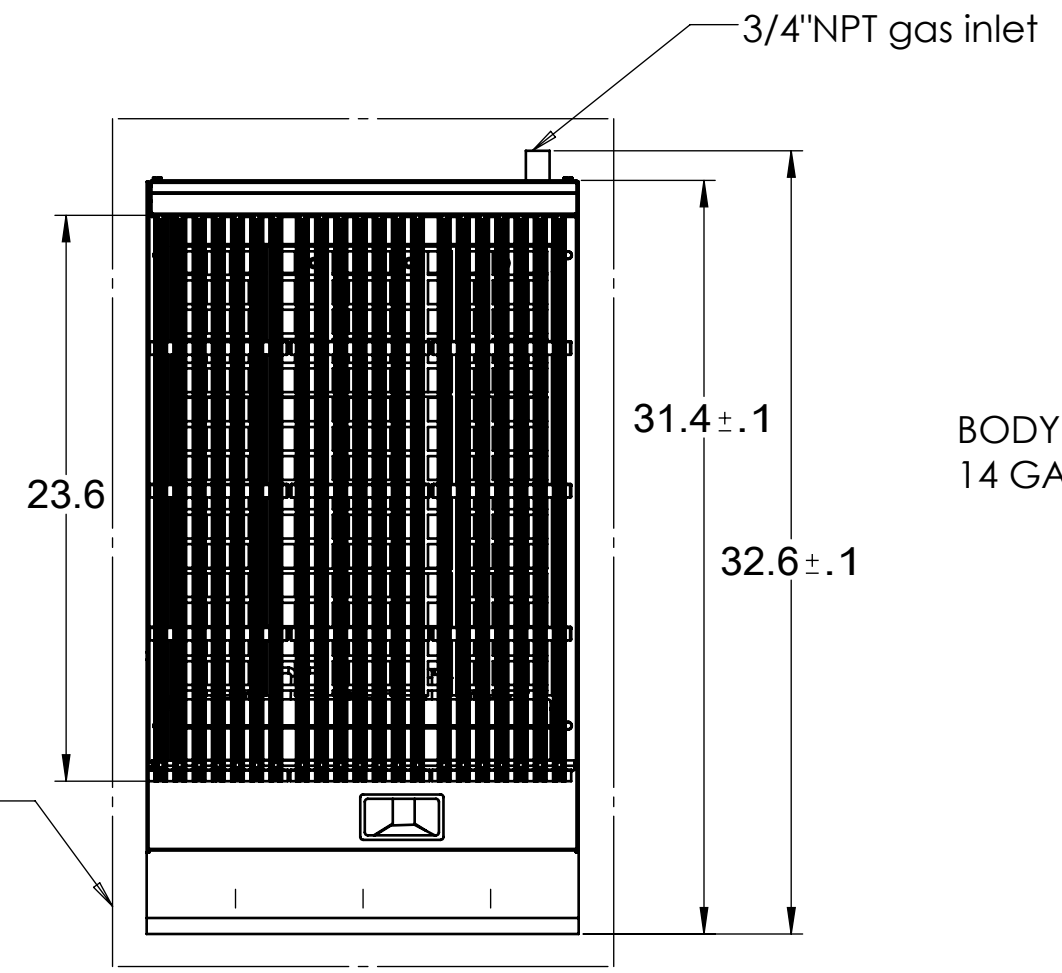
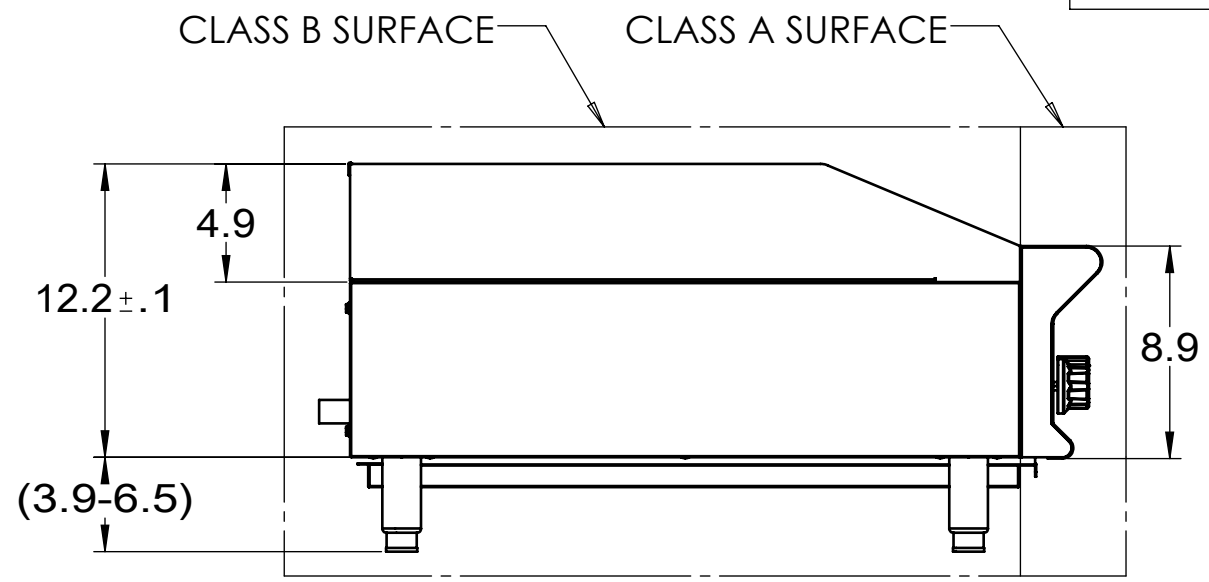
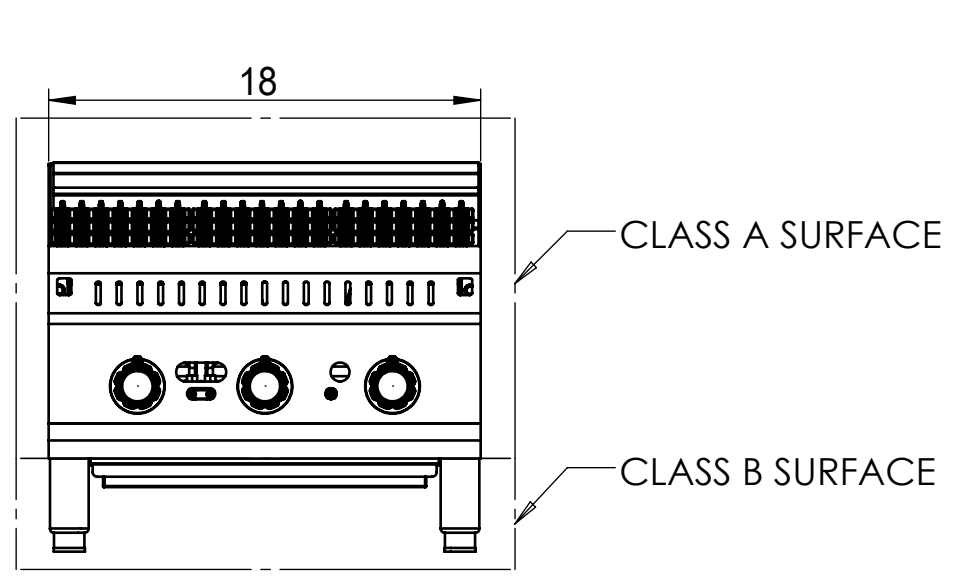
5

4

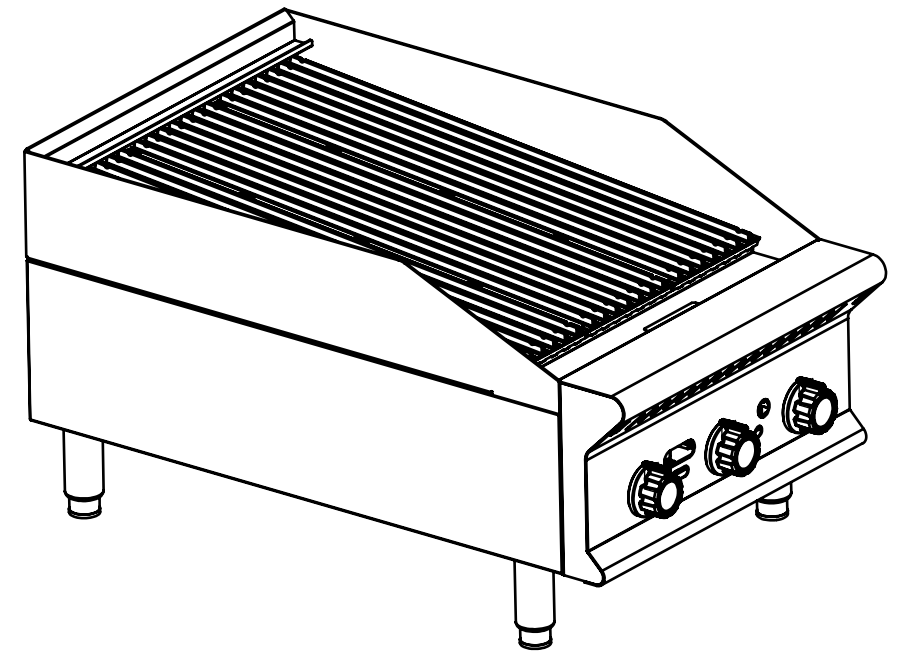
3

2

1



BODY MATERIAL:
14 GAUGE STAINLESS STEEL 430



ALL NON-SPECIFIED SURFACES ARE CLASS C

TOLERANCE ON DIMENSIONS SHOWN ±.1 UNLESS SPECIFIED

	THE VOLLRATH CO.,LLC		<small>SANTA COLOMA, ESP XIAN, CHN DANE, WI USA KIEL, WI USA CANANDAIGUA, NY USA MENOMONEE FALLS, WI USA SHEBOYGAN, WI USA MAIZE, KS USA NEWPORT, MN USA</small>		
	<small>THIS PRINT REMAINS THE PROPERTY OF THE VOLLRATH CO. LLC. ALL INFORMATION CONTAINED THEREON IS CONFIDENTIAL. IT IS LOANED, SUBJECT TO RETURN UPON DEMAND, AND ON THE EXPRESS CONDITION THAT IT IS NOT TO BE COPIED OR USED DIRECTLY OR INDIRECTLY IN ANY WAY WHATSOEVER DETRIMENTAL TO OUR INTERESTS. THIS DRAWING AND PRINCIPLES OF DESIGN ARE NOT TO BE REPRODUCED, COPIED OR LOANED IN PART OR WHOLE WITHOUT THE EXPRESS PRIOR WRITTEN CONSENT OF THE VOLLRATH CO. LLC.</small>				
<small>DIMENSIONS ARE IN INCHES UNLESS OTHERWISE NOTED</small>					
<small>DO NOT SCALE THIS DRAWING-TOLERANCE UNLESS SPECIFIED</small>			<small>THIS PRINT REMAINS THE PROPERTY OF THE VOLLRATH CO. LLC. ALL INFORMATION CONTAINED THEREON IS CONFIDENTIAL. IT IS LOANED, SUBJECT TO RETURN UPON DEMAND, AND ON THE EXPRESS CONDITION THAT IT IS NOT TO BE COPIED OR USED DIRECTLY OR INDIRECTLY IN ANY WAY WHATSOEVER DETRIMENTAL TO OUR INTERESTS. THIS DRAWING AND PRINCIPLES OF DESIGN ARE NOT TO BE REPRODUCED, COPIED OR LOANED IN PART OR WHOLE WITHOUT THE EXPRESS PRIOR WRITTEN CONSENT OF THE VOLLRATH CO. LLC.</small>		
<small>X.X = ± X.XX = ± X.XXX = ± ANGLES = ± °</small>		18" HD Charbroiler			
<small>ZONE</small>		<small>REV</small>		<small>DATE</small>	
<small>REVISIONS</small>					
<small>SCALE: 1:8</small>		<small>FILE NAME: VL-18CB-HD(CBGHD-18)</small>		<small>PRODUCT CODE:</small>	

C
B
A

C
B
A