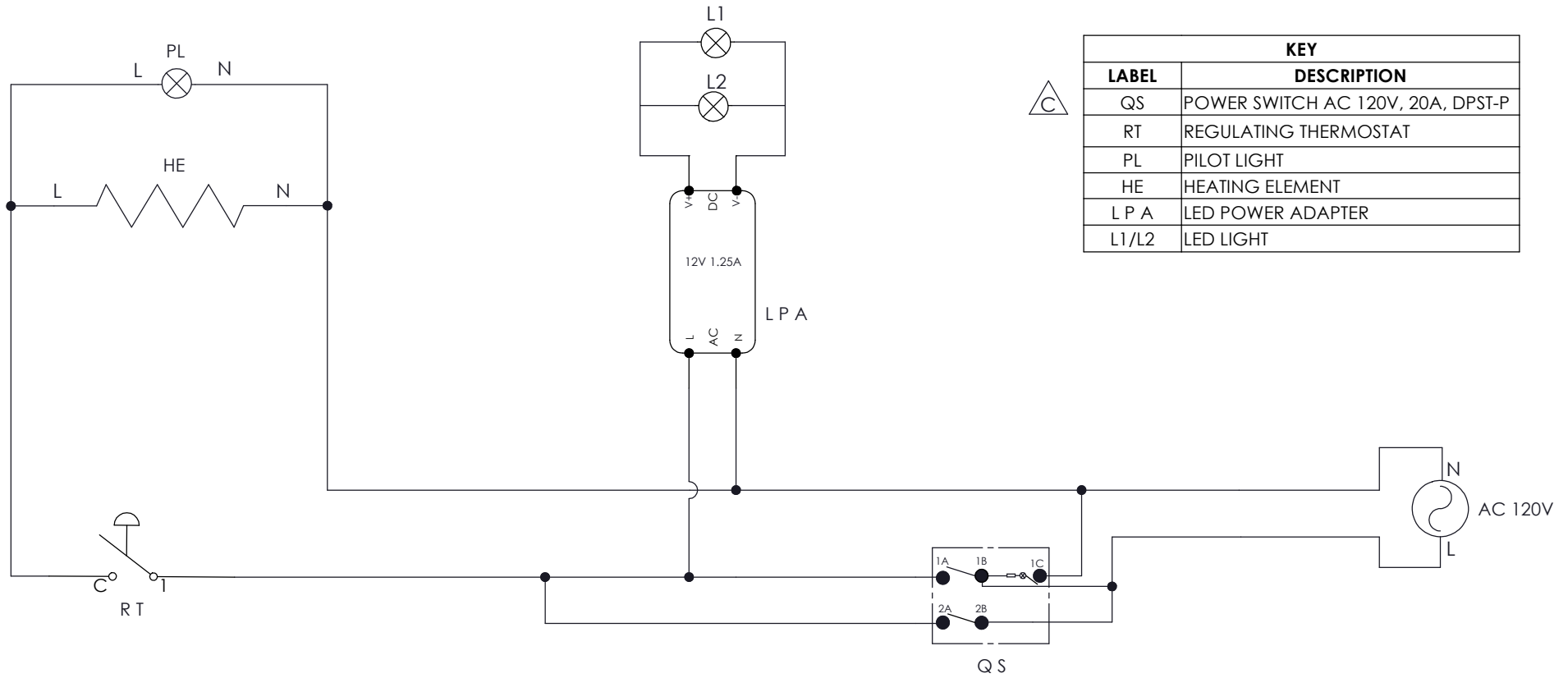
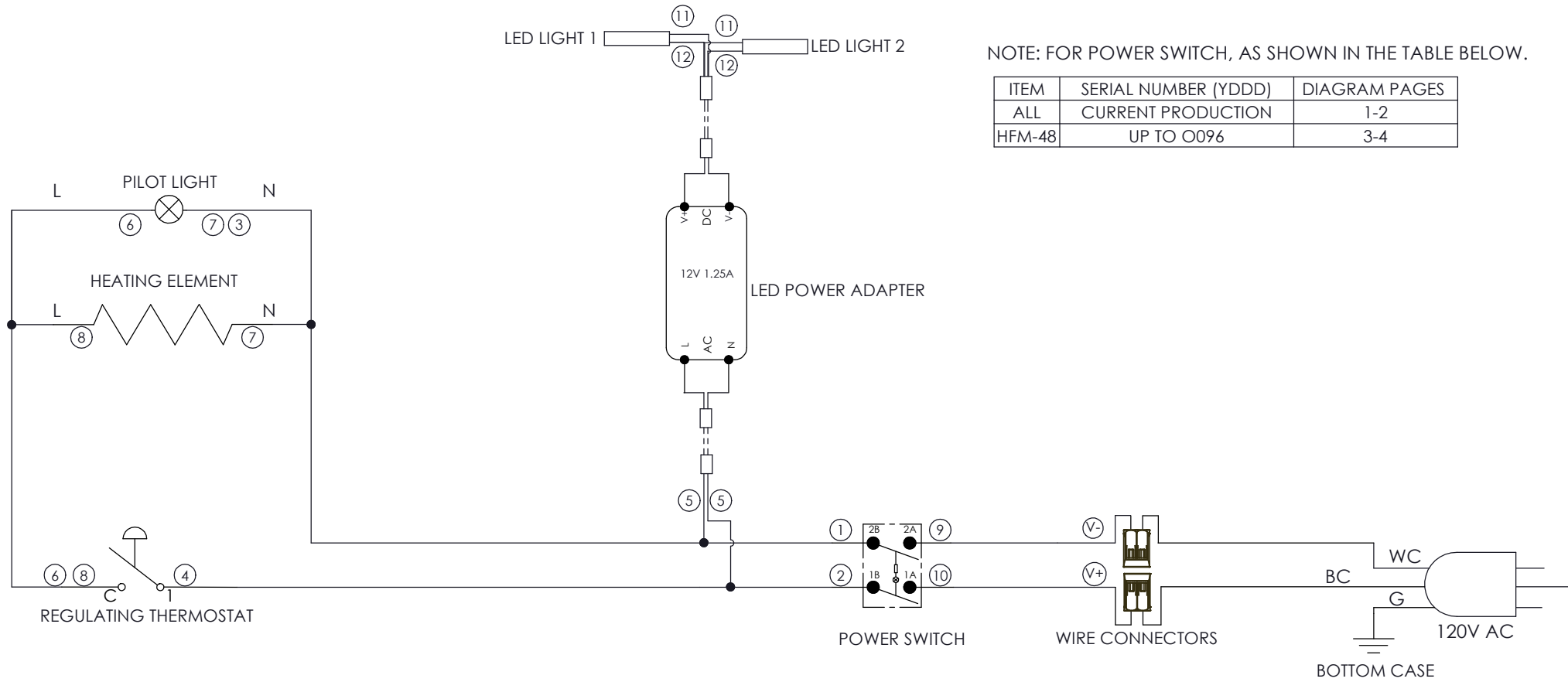


NOTE: FOR POWER SWITCH, AS SHOWN IN THE TABLE BELOW.

ITEM	SERIAL NUMBER (YDDD)	DIAGRAM PAGES
ALL	CURRENT PRODUCTION	1-2
HFM-48	UP TO 0096	3-4

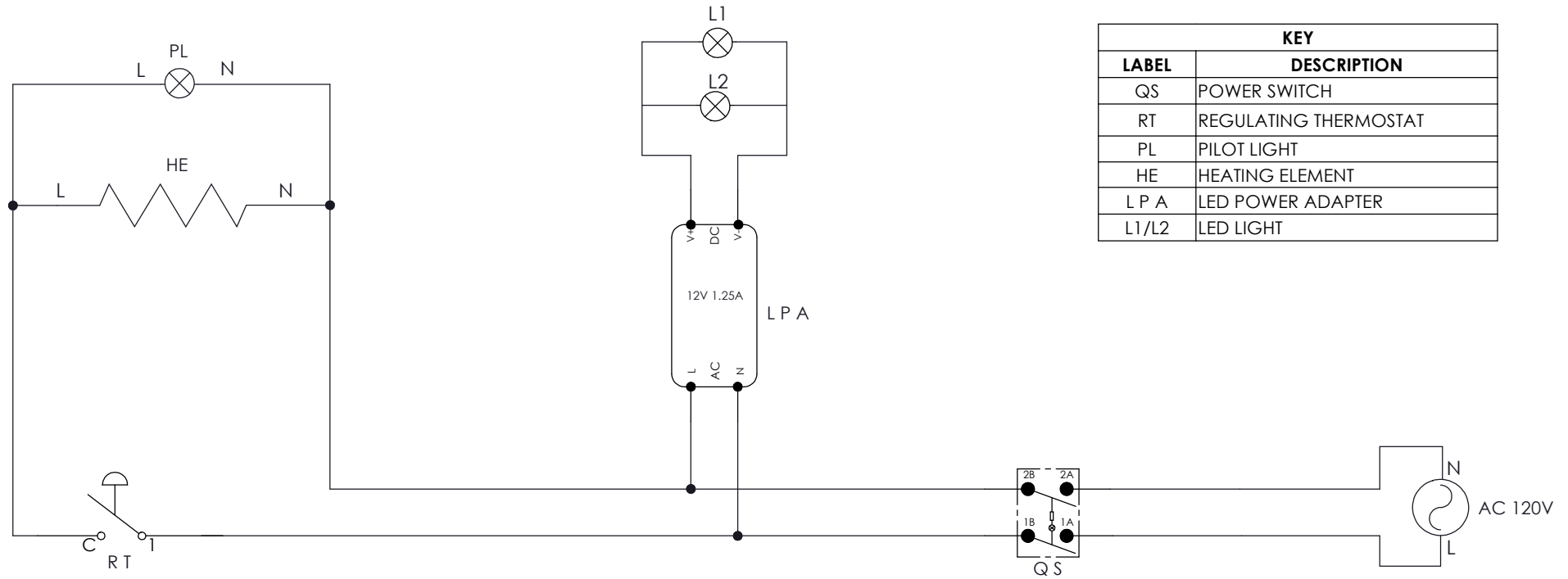


KEY	
LABEL	DESCRIPTION
QS	POWER SWITCH AC 120V, 20A, DPST-P
RT	REGULATING THERMOSTAT
PL	PILOT LIGHT
HE	HEATING ELEMENT
L P A	LED POWER ADAPTER
L1/L2	LED LIGHT



NOTE: FOR POWER SWITCH, AS SHOWN IN THE TABLE BELOW.

ITEM	SERIAL NUMBER (YDDD)	DIAGRAM PAGES
ALL	CURRENT PRODUCTION	1-2
HFM-48	UP TO O096	3-4



KEY	
LABEL	DESCRIPTION
QS	POWER SWITCH
RT	REGULATING THERMOSTAT
PL	PILOT LIGHT
HE	HEATING ELEMENT
L P A	LED POWER ADAPTER
L1/L2	LED LIGHT