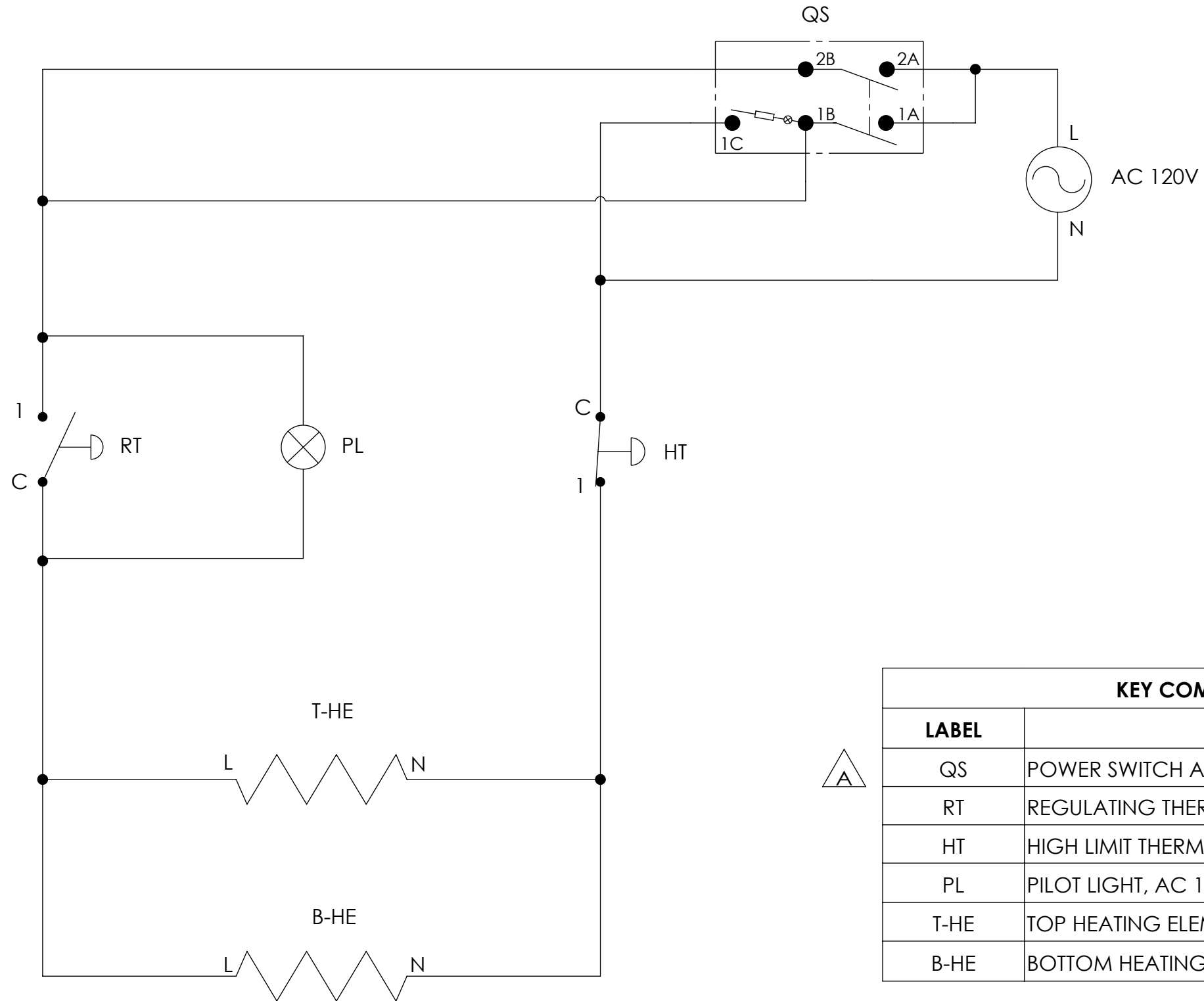
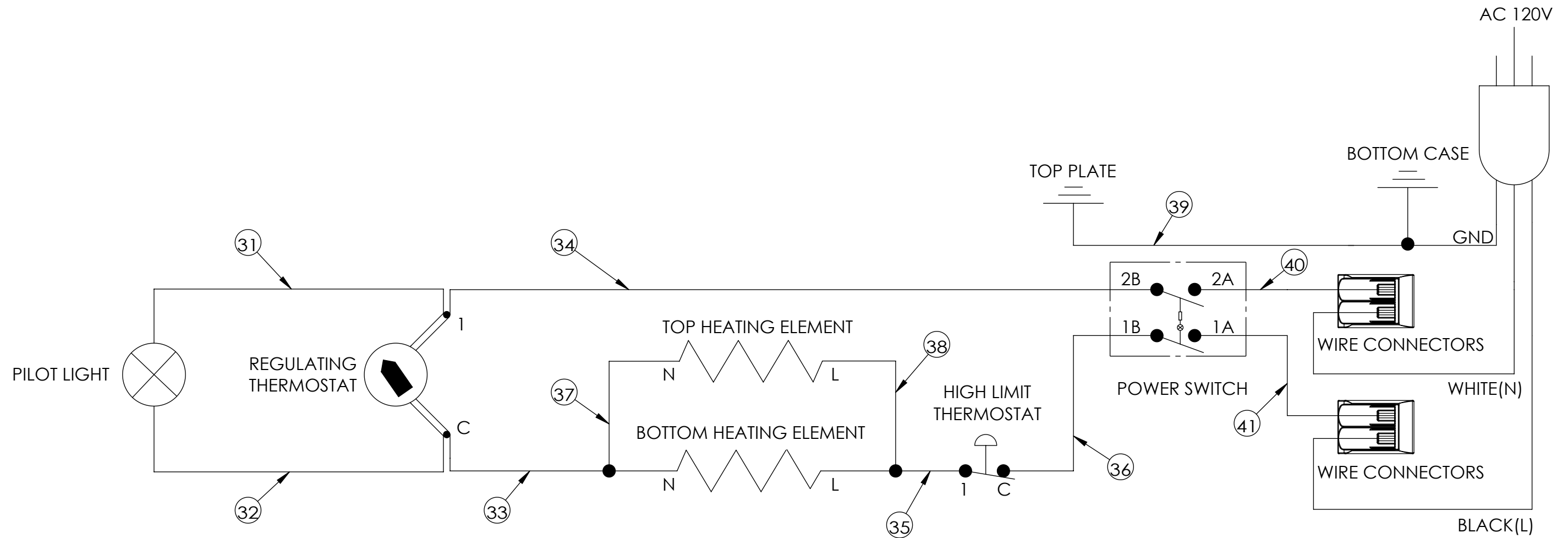


NOTE: FOR POWER SWITCH, AS SHOWN IN THE TABLE BELOW.

| ITEM         | SERIAL NUMBER (YDDD) | DIAGRAM PAGES |
|--------------|----------------------|---------------|
| ALL          | CURRENT PRODUCTION   | 1-2           |
| PSG4-SG120   | UP TO N289           | 3-4           |
| PSG4-SG120-C | UP TO N228           |               |
| PSG4-SF120   | UP TO N337           |               |
| PSG4-SF120-C | UP TO N289           |               |

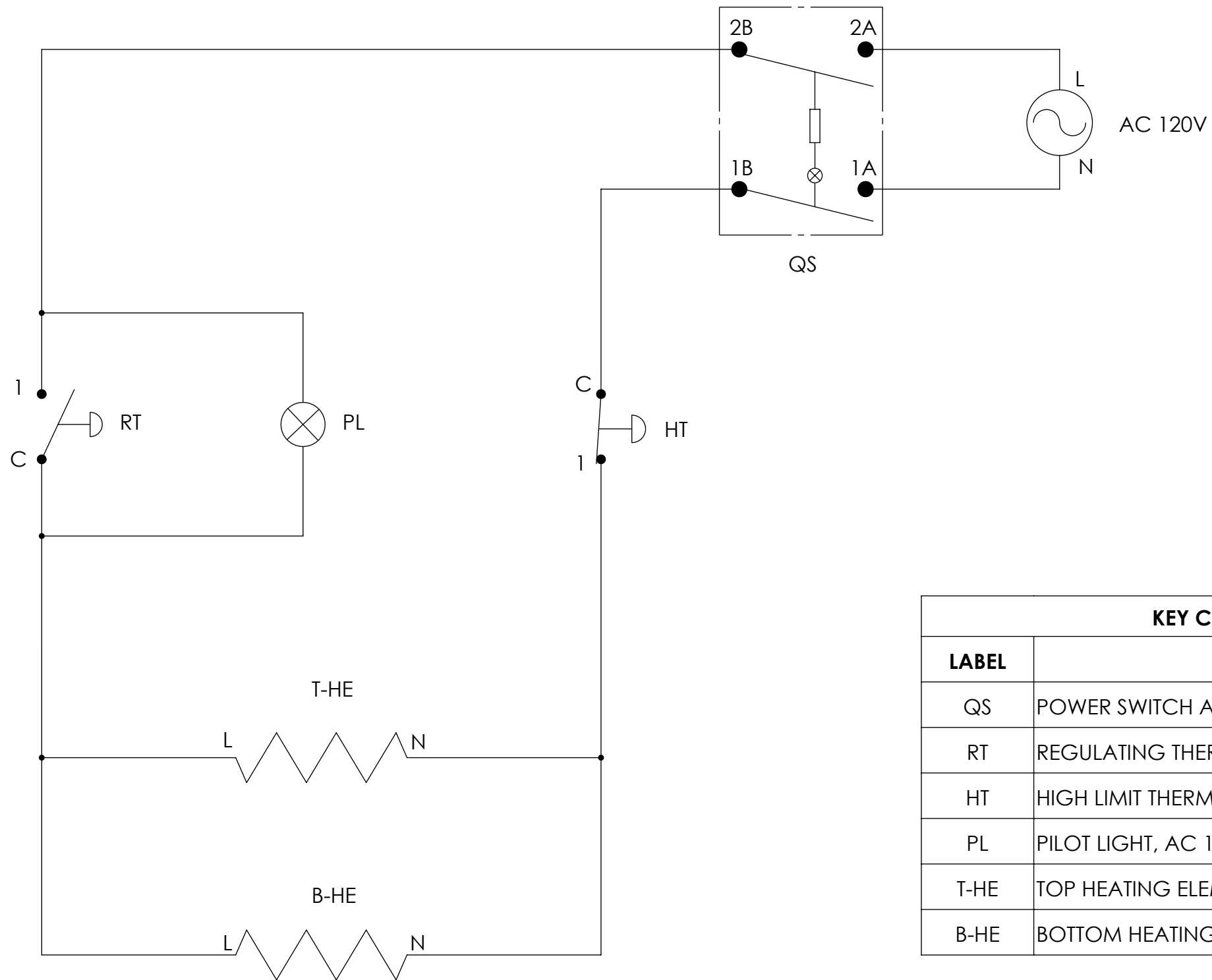


| KEY COMPONENTS |                                       |
|----------------|---------------------------------------|
| LABEL          | DESCRIPTION                           |
| QS             | POWER SWITCH AC 120V, 20A, DPST-P     |
| RT             | REGULATING THERMOSTAT                 |
| HT             | HIGH LIMIT THERMOSTAT                 |
| PL             | PILOT LIGHT, AC 120V, GREEN           |
| T-HE           | TOP HEATING ELEMENT, AC 120V, 850W    |
| B-HE           | BOTTOM HEATING ELEMENT, AC 120V, 950W |



NOTE: FOR POWER SWITCH, AS SHOWN IN THE TABLE BELOW.

| ITEM         | SERIAL NUMBER (YDDD) | DIAGRAM PAGES |
|--------------|----------------------|---------------|
| ALL          | CURRENT PRODUCTION   | 1-2           |
| PSG4-SG120   | UP TO N289           | 3-4           |
| PSG4-SG120-C | UP TO N228           |               |
| PSG4-SF120   | UP TO N337           |               |
| PSG4-SF120-C | UP TO N289           |               |



| KEY COMPONENTS |                                       |
|----------------|---------------------------------------|
| LABEL          | DESCRIPTION                           |
| QS             | POWER SWITCH AC 120V, 20A             |
| RT             | REGULATING THERMOSTAT                 |
| HT             | HIGH LIMIT THERMOSTAT                 |
| PL             | PILOT LIGHT, AC 120V, GREEN           |
| T-HE           | TOP HEATING ELEMENT, AC 120V, 850W    |
| B-HE           | BOTTOM HEATING ELEMENT, AC 120V, 950W |