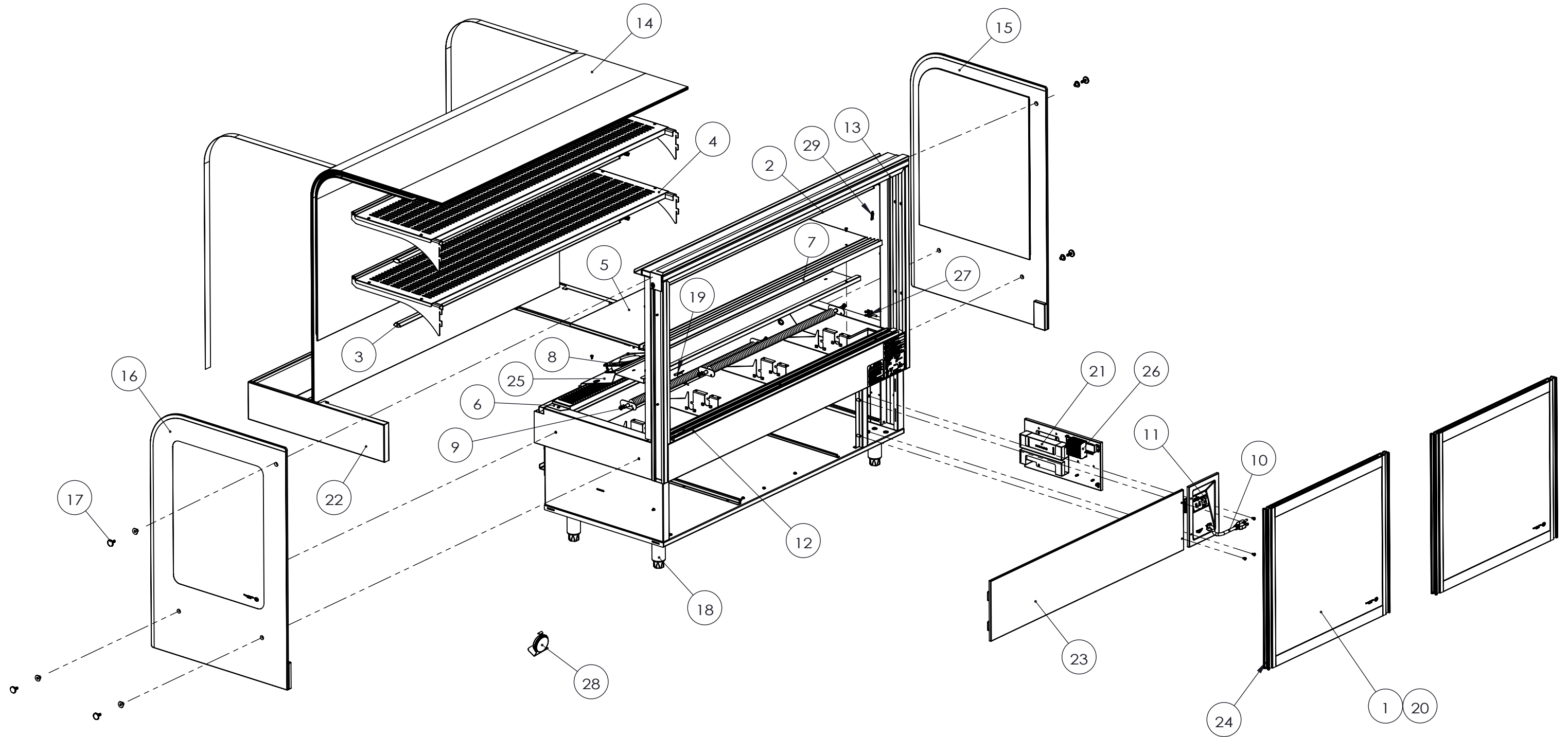


ITEM NO.	MODEL NO.	DESCRIPTION	VOLTAGE	CURRENT	POWER	CORD PLUG
HDCCB-48	HDC9348	CUBED COUNTERTOP 48"	120V	5.8A	700W	5-15P



ITEM NO.	MODEL NO.	DESCRIPTION	VOLTAGE	CURRENT	POWER	CORD PLUG
HDCCB-48	HDC9348	CUBED COUNTERTOP 48"	120V	5.8A	700W	5-15P

SN	PART NO.	DESCRIPTION	QTY.
1	RDC0357-48	48" CUBED DOOR ASM	2
2	RDC0084-48S	48" LED 0.15M	1
3	RDC0084-48L	48" LED 0.50M	2
4	RDC0335-48	48" CUBED TOP SHELF ASM	2
5	RDC0356-48	48" CUBED BOTTOM SHELF	1
6	RDC0042-48	48" AIR OUTLET DUCT	1
7	RDC0088-48	48" REAR AIR GRILL	1
8	RDC0163	EVAPORATOR FAN	3
9	HDC0454	HDE HEATING ELEMENT ASM	2
10	RDC0501	POWERCORD W/STRAIN RELIEF	1
11	RDC0503	DIGITAL CONTROLLER, HDC	1
12	RDC0115-48	48" BOTTOM DOOR TRACK	1
13	RDC0128-48	48" BACK SLDNG DOOR TRACK UP	1
14	RDC0520	FRONT GLASS KIT, HDCCB-48	1
15	RDC0414	RDCCB END GLASS ASM-R	1
16	RDC0413	RDCCB END GLASS ASM-L	1
17	RDC0522	GLASS HARDWARE	6
18	2351601	4 INCH LEG ADJUSTABLE FOOT	4
19	RDC0141	RDE HDE NTC SENSOR	1
20	RDC0155	REAR DOOR SLIDER BTM WHEEL	4
21	RDC0145	POWER FOR LED	1
22	RDC0355-48	48" CUBED STAINLESS WRAP	1
23	RDC0127-48H	48" HDE BACK VENT PANEL REAR	1
24	RDC0362	CUBED DOOR GASKET	4
25	RDC0086-48H	48" HDE FAN PANEL ASSM	1
26	RDC0040	HDE TERMINAL BLOCK	1
27	RDC0066	3-PIN LED LIGHT SOCKET	3
28	353200-1	HOT HOLDING THERMOMETER	1
29	RDC0523	SLOT PLUG, QTY. 4	2