



Project:

Item Number:

Quantity:

HEATED DELI DISPLAY CASES



Curved Countertop



Cubed Countertop

DESCRIPTION

Vollrath® Heated Display Cases keep hot, prepared food—deli (TCS-Time/Temperature Control for Safety) products—warm and at proper serving temperatures while displaying them for sale. Cases have operator-side sliding doors for easy access when selling, refilling, changing displays, and cleaning.

AGENCY LISTINGS



Classified by
UL to
NSF/ANSI 4

WARRANTY

All models shown come with a Vollrath® standard warranty against defects in materials and workmanship. For full warranty details, please refer to vollrathfoodservice.com.

Approvals	Date

Due to continued product improvement, please consult vollrathfoodservice.com for current product specifications.

ITEMS

Item	Model	Description
HDCCV-36	HDC9236	Curved Countertop—36"
HDCCV-48	HDC9248	Curved Countertop—48"
HDCCV-60	HDC9260	Curved Countertop—60"
HDCCB-36	HDC9336	Cubed Countertop—36"
HDCCB-48	HDC9348	Cubed Countertop—48"
HDCCB-60	HDC9360	Cubed Countertop—60"

NOTICE: These items must ship by truck.

FEATURES & BENEFITS

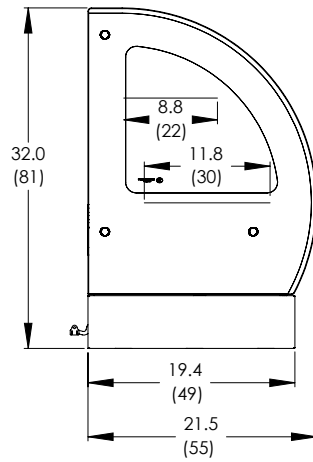
- Inside LED lighting at the top and at each shelf creates an optimum food display area.
- Fans circulate air throughout to ensure even temperatures.
- Digitally-controlled thermostat provides precise settings.
- Argon-filled and sealed, double-pane, low-emissivity coated glass provides strength and energy efficiency.
- Three-position adjustable, floating shelves (1 in curved & 2 in cubed) offer a sleek aesthetic and flexible display options.
- Lift-and-remove rear sliding doors allow for simple display adjustments and easy cleaning.
- 104 °F - 165 °F (40 °C- 74 °C) range allows product flexibility.
- Case can also be an ambient display for additional options.
- 4" adjustable legs can be purchased separately.
- 6 ft (1.8 m) cord increases placement options.

CLEARANCE

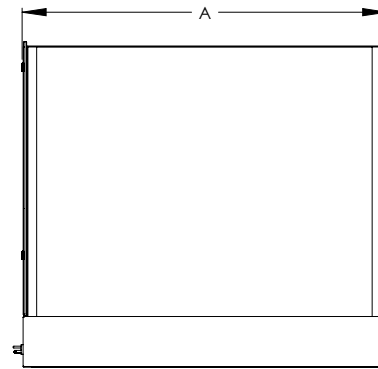
- Countertop cases allow for zero clearance.
- Operator side and top from unit to ceiling must remain open for proper operation and service.
- Sufficient air circulation is required so the unit operates as intended. Do not cover vents on bottom platform or allow product to overhang shelves.

DIMENSIONS

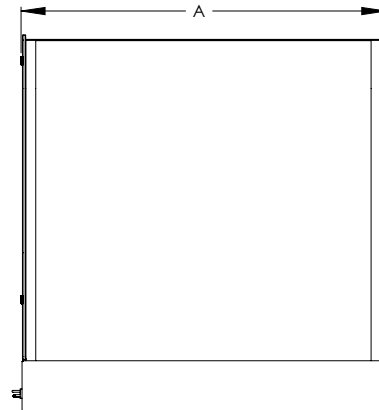
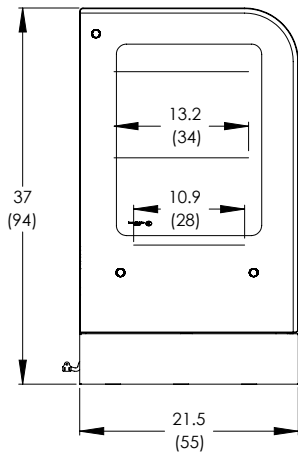
(shown in inches (cm))



Side View



Front View



SPECIFICATIONS

Item	Width (A)	Volts	Hz	Amps	Crated Weight lb (kg)	Cord with Plug (Included)
36" Curved	35.9 (91)	120	50-60	5.8	283.5 (128.6)	NEMA 5-15P
36" Cubed					347.0 (157.4)	
48" Curved	47.9 (122)				352.7 (160.0)	
48" Cubed					423.3 (192.0)	
60" Curved	59.9 (152)				414.5 (188.0)	
60" Cubed					492.5 (223.4)	



The Vollrath Company, L.L.C.
 1236 North 18th Street
 Sheboygan, WI 53081-3201 U.S.A.
 Main Tel: 800.624.2051 or 920.457.4851
 Main Fax: 800.752.5620 or 920.459.6573
 Customer Service: 800.628.0830
 Canada Customer Service: 800.695.8560

Technical Services
 techservicereps@vollrathco.com
 Induction Products: 800.825.6036
 Countertop Warming Products: 800.354.1970
 All Other Products: 800.628.0832