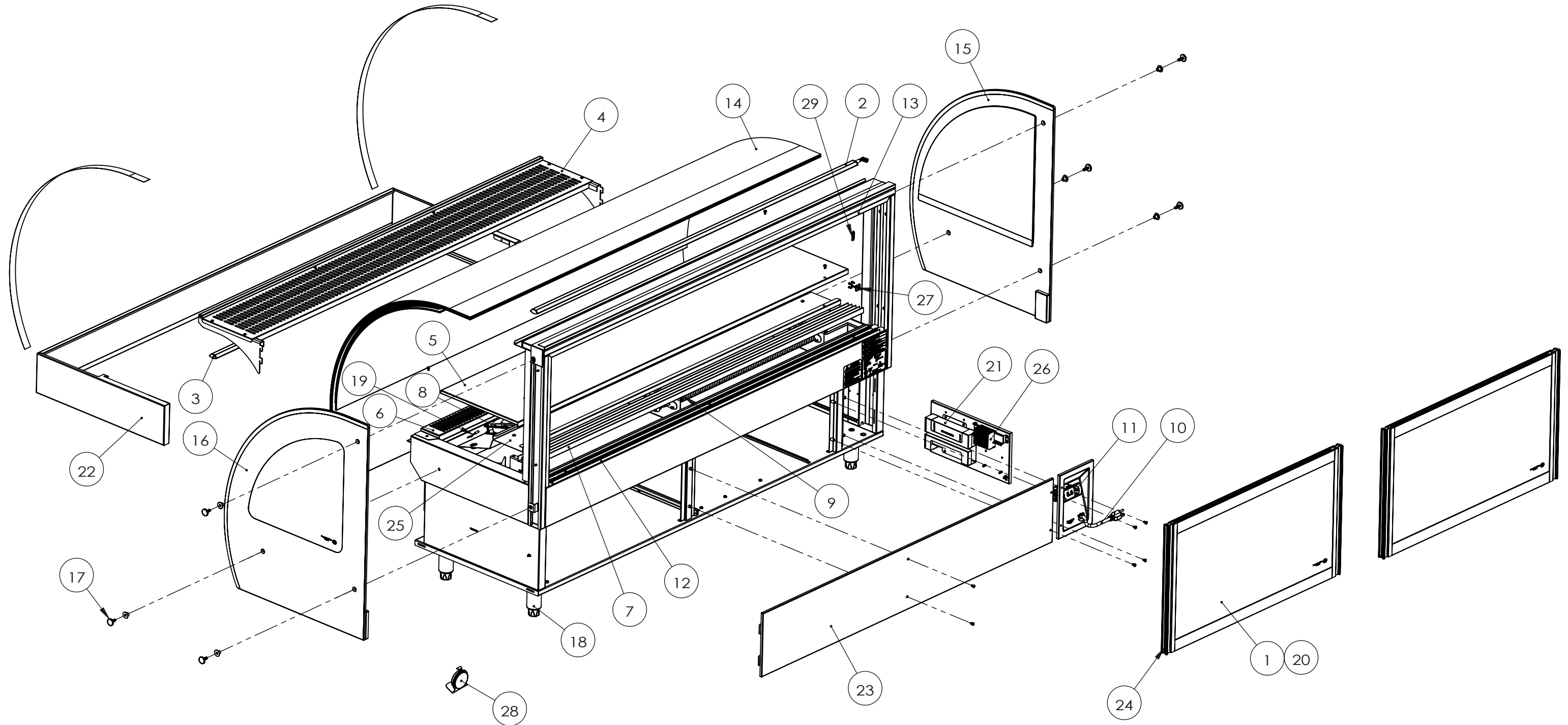


ITEM NO.	MODEL NO.	DESCRIPTION	VOLTAGE	CURRENT	POWER	CORD PLUG
HDCCV-60	HDC9260	CURVED COUNTERTOP 60"	120V	5.8A	700W	5-15P



ITEM NO.	MODEL NO.	DESCRIPTION	VOLTAGE	CURRENT	POWER	CORD PLUG
HDCCV-60	HDC9260	CURVED COUNTERTOP 60"	120V	5.8A	700W	5-15P

SN	PART NO.	DESCRIPTION	QTY.
1	RDC0130-60	60" CURVED DOOR ASM	2
2	RDC0084-60S	60" LED 0.15M	1
3	RDC0084-60L	60" LED 0.50M	1
4	RDC0090-60	60" CURVED TOP SHELF ASM	1
5	RDC0089-60	60" CURVED BOTTOM SHELF	1
6	RDC0042-60	60" AIR OUTLET DUCT	1
7	RDC0088-60	60" REAR AIR GRILL	1
8	RDC0163	EVAPORATOR FAN	3
9	HDC0454	HDE HEATING ELEMENT ASM	2
10	RDC0501	POWERCORD W/STRAIN RELIEF	1
11	RDC0503	DIGITAL CONTROLLER, HDC	1
12	RDC0115-60	60" BOTTOM DOOR TRACK	1
13	RDC0128-60	60" BACK SLDNG DOOR TRACK UP	1
14	RDC0518	FRONT GLASS KIT, HDCCV-60	1
15	RDC0103	RDCCV END GLASS R ASM	1
16	RDC0110	RDCCV END GLASS L ASM	1
17	RDC0522	GLASS HARDWARE	6
18	2351601	4 INCH LEG ADJUSTABLE FOOT	4
19	RDC0141	RDE HDE NTC SENSOR	1
20	RDC0155	REAR DOOR SLIDER BTM WHEEL	4
21	RDC0145	POWER FOR LED	1
22	RDC0126-60	60" RDCCV STAINLESS WRAP	1
23	RDC0127-60H	60" HDE BACK VENT PANEL REAR	1
24	RDC0160	CURVED DOOR GASKET	4
25	RDC0086-60H	60" HDE FAN PANEL ASM	1
26	RDC0040	HDE TERMINAL BLOCK	1
27	RDC0066	3-PIN LED LIGHT SOCKET	2
28	353200-1	HOT HOLDING THERMOMETER	1
29	RDC0523	SLOT PLUG, QTY. 4	2