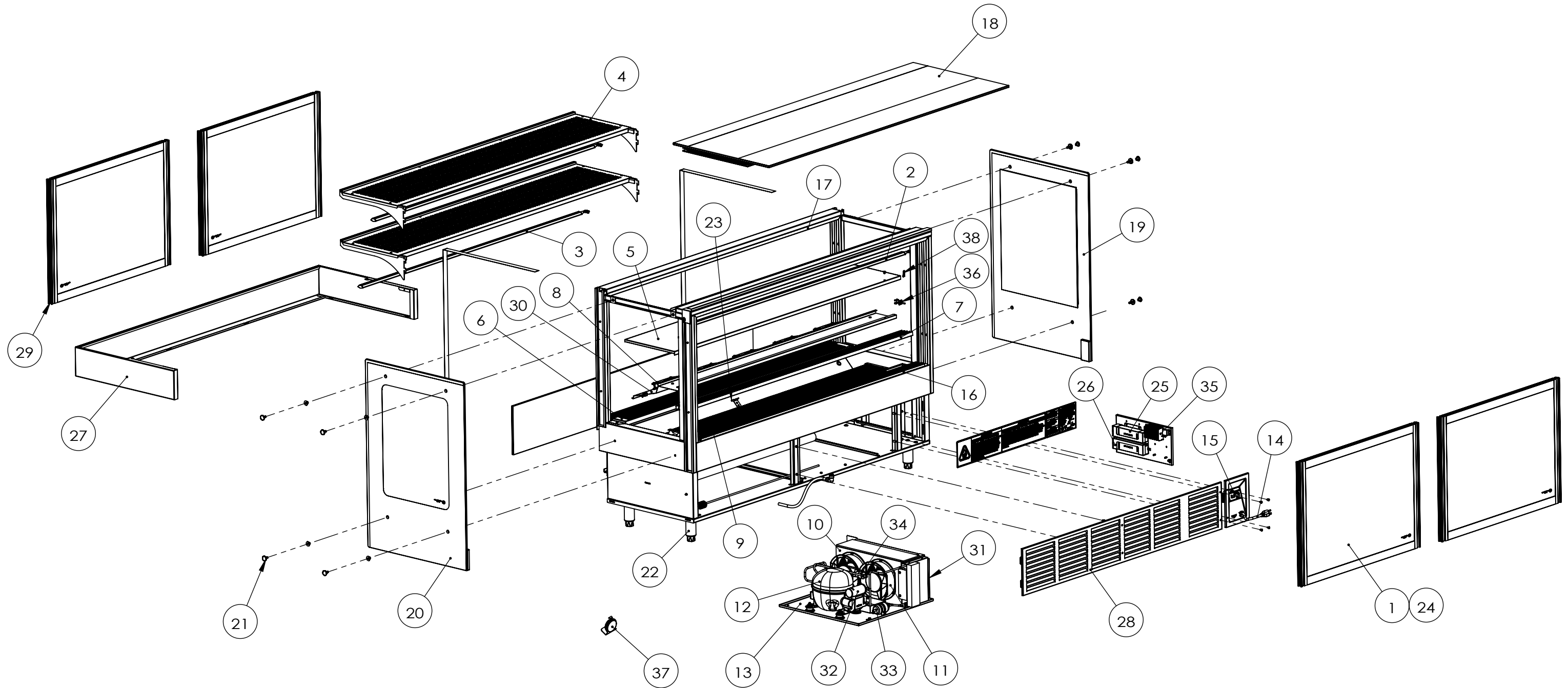


ITEM NO.	MODEL NO.	DESCRIPTION	VOLTAGE	CURRENT	R290 CHARGE	CORD PLUG
RDCCB-60SS	RDC9460	CUBED COUNTERTOP, SELF-SERVE 60"	120V	6.9A	136G/4.8OZ	5-15P



ITEM NO.	MODEL NO.	DESCRIPTION	VOLTAGE	CURRENT	R290 CHARGE	CORD PLUG
RDCCB-60SS	RDC9460	CUBED COUNTERTOP, SELF-SERVE 60"	120V	6.9A	136G/4.8OZ	5-15P

SN	PART NO.	DESCRIPTION	QTY.
1	RDC0357-60	60" CUBED DOOR ASM	4
2	RDC0084-60S	60" LED 0.15M	1
3	RDC0084-60L	60" LED 0.50M	2
4	RDC0335-60	60" CUBEED TOP SHELF ASM	2
5	RDC0356-60	60" CUBED BOTTOM SHELF	1
6	RDC0042-60	60" AIR OUTLET DUCT	1
7	RDC0088-60	60" REAR AIR GRILL	1
8	RDC0163	EVAPORATOR FAN	5
9	RDC0053-60	60" EVAPORATOR	1
10	RDC0149	RDE CONDENSER	1
11	RDC0258	CONDENSOR FAN	2
12	RDC0147L	EMC3140U COMPRESSOR	1
13	RDC0067-48&60B	48"&60" CUBED CONDENSING UNIT	1
14	RDC0501	POWERCORD W/STRAIN RELIEF	1
15	RDC0502	DIGITAL CONTROLLER, RDC	1
16	RDC0115-60	60" BOTTOM DOOR TRACK	2
17	RDC0128-60	60" BACK SLDNG DOOR TRACK UP	2
18	RDC0515	FRONT GLASS KIT, RDCCB-60SS	1
19	RDC0348	RDCCB-SS END GLASS ASSM-R	1
20	RDC0342	RDCCB-SS END GLASS ASSM-L	1
21	RDC0522	GLASS HARDWARE	8
22	2351601	4 INCH LEG ADJUSTABLE FOOT	4
23	RDC0141	RDE HDE NTC SENSOR	2
24	RDC0155	REAR DOOR SLIDER BTM WHEEL	8
25	RDC0145	POWER FOR LED	1
26	RDC0164	GLASS HEATING POWER	1
27	RDC0355-60	60" CUBED STAINLESS WRAP	1
28	RDC0127-60	60"BACK VENT PANEL REAR	1
29	RDC0362	CUBED DOOR GASKET	8
30	RDC0086-60	60" FAN PANEL ASM	1
31	RDC0039	RDE FILTER	1
32	RDC0112	CAPACITOR	1
33	RDC0106	RDE DRY FILTER	1
34	RDC0195	HIGH PRESSURE SWITCH	1
35	RDC0043	RDE TERMINAL BLOCK	1
36	RDC0066	3-PIN LED LIGHT SOCKET	3
37	RDC0273	COOL HOLDING THERMOMETER	1
38	RDC0523	SLOT PLUG, QTY. 4	2