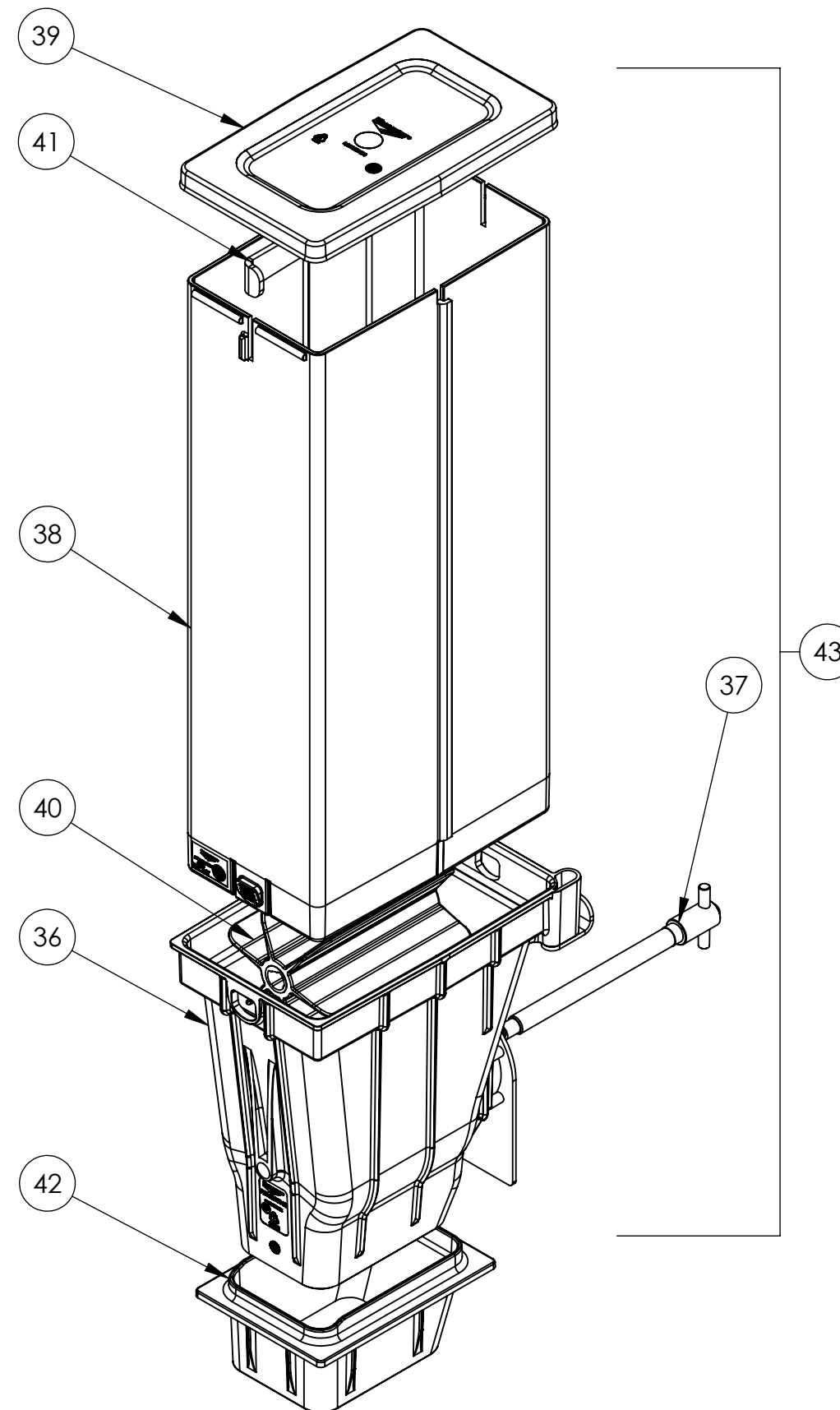


# LARGE CANISTER COMPONENTS

ITEM NO.	PART NUMBER	DESCRIPTION	QTY.
36	2210641	LARGE FUNNEL ASSEMBLY	1
37	2210647	LARGE CANISTER SHAFT	1
38	2210701	LARGE CLEAR TUBE	1
39	2210690	LARGE CANISTER COVER	1
40	2210787	LARGE PADDLE WHEEL	1
41	2210739	LARGE CANISTER AGITATION ROD	1
42	2210785	LAGRGE CANISTER ADAPTER	1
43	2210791	LARGE CANISTER ASSEMBLY W/6-PADDLE WHEEL	-



## SMALL CANISTER COMPONENTS

ITEM NO.	PART NUMBER	DESCRIPTION	QTY.
44	2210643	SMALL FUNNEL ASSEMBLY	1
45	2210645	SMALL CANISTER SHAFT	1
46	2210702	SMALL CLEAR TUBE	1
47	2210691	SMALL CANISTER COVER	1
48	2210788	SMALL PADDLE WHEEL, 6 BLADE	1
49	2210789	SMALL PADDLE WHEEL, 10 BLADE	1
50	2210738	SMALL CANISTER AGITATION ROD	1
51	2210786	SMALL CANISTER ADAPTER	1
52	2210792	SMALL CANISTER ASSEMBLY W/6-PADDLE WHEEL	-
53	2210793	SMALL CANISTER ASSEMBLY W/10-PADDLE WHEEL	-

