

VOLLRATH®

Project:

Item Number:

Quantity:

COUNTERTOP PIZZA/BAKE OVEN



DESCRIPTION

Vollrath® Countertop Pizza/Bake Ovens are designed to cook pizza and bread in direct contact with ceramic baking decks. The even heating of included hearth stone shelves and higher-temperature capability creates crisp, evenly-baked crust for premium pizzeria-style presentation and taste.

AGENCY LISTINGS



Classified by UL to NSF/ANSI 4

WARRANTY

All models shown come with a Vollrath® standard warranty against defects in materials and workmanship. For full warranty details, please refer to vollrathfoodservice.com.

Due to continued product improvement, please consult vollrathfoodservice.com for current product specifications.

ITEMS

Item	Model	Description
PBO4-208240	PBOV-208240	Pizza/Bake Oven-208-240V

FEATURES & BENEFITS

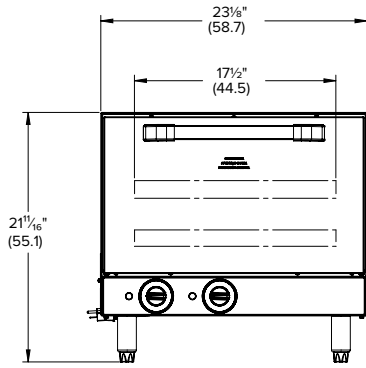
- Stainless steel design is durable and easy to clean.
- Included hearth-stone shelves heat evenly at higher temperatures for crisp, even browning of crusts and breads.
- Temperatures of 150–750 °F (66–400 °C) allow variety.
- Integrated 30-minute timer controls heating elements.
- 17½" x 17½" shelves allow baking of bigger or multiple items.
- Improved hinge lasts longer.
- Oven door is easily removed for cleaning.
- 2¾" between shelves allows room for thicker products.
- Improved gasket retains more heat in the baking chamber.
- Unit is approved for zero clearance on sides and back.
- 4' (1.2 m) cord with plug allows placement options.

CLEARANCE

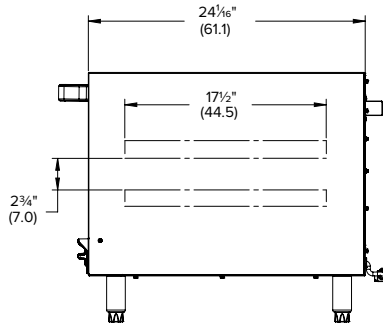
- Install unit adjacent to non-combustibles in a flat location.
- Ensure unit is level to avoid damage during operation.
- Ambient temperatures must be at or below 104 °F (40 °C).
- Install included 4" legs to meet agency requirements.
- To avoid damage, plug the unit into a properly grounded electrical supply that matches the nameplate rating.

Approvals	Date

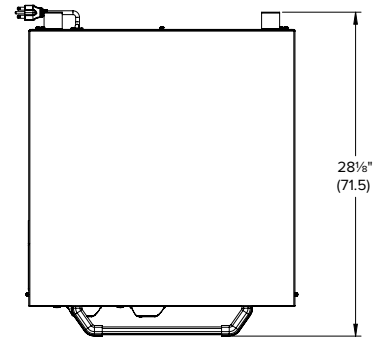
DIMENSIONS shown in inches (cm)



Front View

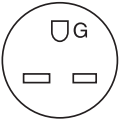


Side View



Top View

SPECIFICATIONS

Item	Cooking Chamber Size			Volts	Watts	Amps	Shipping Weight & Dimensions Including Pallet				Plug (Included) & Receptacle
	Width	Height	Depth				Weight lb (kg)	W in (cm)	H in (cm)	D in (cm)	
PB04-208240	18 ⁹ / ₁₆ (47.1)	9 ⁷ / ₁₆ (23.9)	19 ¹ / ₈ (48.6)	208–240	2100–2800	10.1–11.6	146 (66)	29 (73.7)	28 (71.1)	33 (83.8)	NEMA 6-15P 



The Vollrath Company, L.L.C.
 1236 North 18th Street
 Sheboygan, WI 53081-3201 U.S.A.
 Main Tel: 800.624.2051 or 920.457.4851
 Main Fax: 800.752.5620 or 920.459.6573
 Customer Service: 800.628.0830
 Canada Customer Service: 800.695.8560

Technical Services
 techservicereps@vollrathco.com
 Induction Products: 800.825.6036
 Countertop Warming Products: 800.354.1970
 All Other Products: 800.628.0832