



Project:

Item Number:

Quantity:

4-SERIES STAINLESS STEEL WORKTABLE



Model shown includes backsplash and bottom shelf.



Model shown includes doors and backsplash.

DESCRIPTION

The Vollrath® 4-Series back-of-house worktables bring durability to the commercial kitchen. You can choose from multiple pre-designed configurations with a handful of customizable features, such as shelving or enclosed cabinets, for the ideal back-of-house setup.

Note: Custom orders cannot be canceled or returned.

WARRANTY

All models shown come with Vollrath's standard warranty against defects in materials and workmanship. For full warranty details, please refer to www.Vollrath.com.

STANDARD FEATURES (SEE BACK FOR SPECS)

- Available in lengths between 36 and 144 inches, in 12-inch increments.
- Choose from 24-, 30-, or 36-inch depths
- Countertop can be constructed of 14- or 16-gauge stainless steel
- Open Base or Enclosed Base
- Optional sliding doors
- Optional adjustable stainless steel shelf for additional storage
- Optional four-inch stainless steel backsplash
- 6" high legs with 1" adjustable stainless bullet feet
- 1 5/8" diameter legs with 1" adjustable stainless bullet feet

Custom Order Information:

CUSTOMIZE YOUR TABLE:

Vollrath offers options to customize your work table to fit almost any application. To customize your work table enter data about your project and select from the options below. Contact your Vollrath representative for customizations not listed below.

Note: Custom orders require sign off on drawings prior to production. Drawings will be started at the time of order.

Open or Enclosed Base:

Length:

Casters or Legs:

Countertop:

Backsplash - Yes/No:

Middle Shelf - Yes/No:

Bottom Shelf - Yes/No:

Note: Enclosed base worktables must have a bottom shelf.

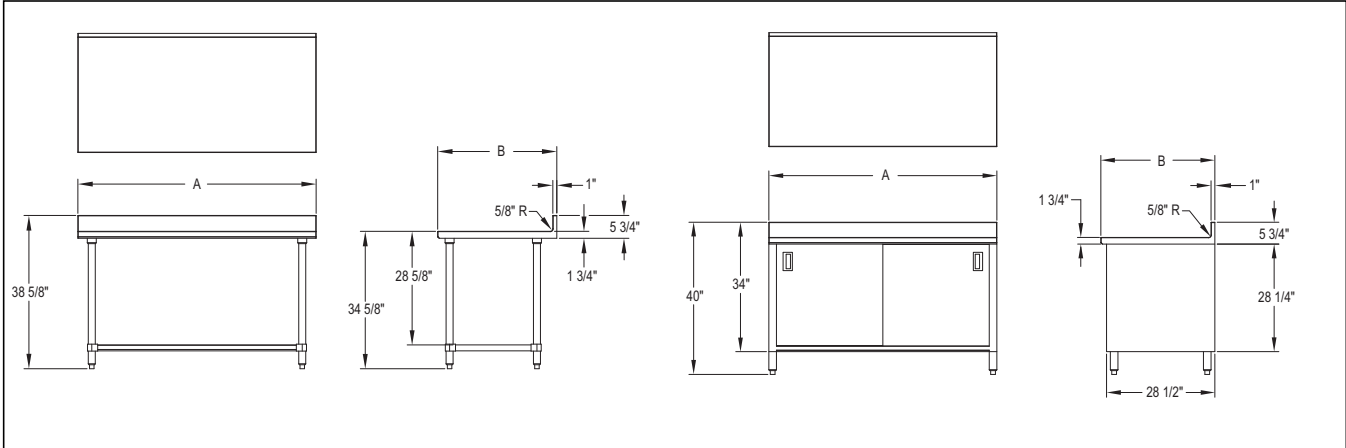
Casters or Legs:

Door Yes/No:



4-SERIES STAINLESS STEEL WORKTABLE

DIMENSIONS Shown in inches (cm)



ITEM NUMBER CONFIGURATION

Step 1		Step 2		Step 3	Step 4	
Choose Overall Length (A)		Choose Overall Depth (B)		Choose Counter Gauge	Choose Base Configuration	
Length	Model Number	Depth	Suffix	Gauge	Option	Suffix
36 (91.4)	SS-4WT-36	24 (61)	24	16	Open Base, No Bottom Shelf, No Backsplash	-OOF
48 (121.9)	SS-4WT-48	30 (76.2)	30	14	Open Base, No Bottom Shelf, w/ Backsplash	-OOR
60 (152.4)	SS-4WT-60	36 (91.4)	36		Open Base, w/ Bottom Shelf, No Backsplash	-OBF
72 (182.9)	SS-4WT-72				Open Base, w/ Bottom Shelf, w/ Backsplash	-OBR
84 (213.3)	SS-4WT-84				Enclosed Base, w/Bottom Shelf, No Backsplash	-EBF
96 (243.8)	SS-4WT-96				Enclosed Base, w/o doors, w/Bottom Shelf, w/ Backsplash	-EBR
108 (274.3)	SS-4WT-108				Enclosed w/ Doors Base, w/Bottom Shelf, No Backsplash	-DBF
120 (304.8)	SS-4WT-120				Enclosed w/ Doors Base, w/Bottom Shelf, w/Backsplash	-DBR
132 (335.2)	SS-4WT-132				Three Sided enclosed with mid shelf and no Backsplash	-EMF
144 (365.8)	SS-4WT-144				Three sided enclosed with mid shelf and Backsplash	-EMR
					Enclosed with Doors, mid shelf, no Backsplash	-DMF
					Enclosed with Doors, mid shelf, and Backsplash	-DMR

Example of item number:

- SS-4WT-482416-OOF 48"x24" Open Base Work Table with 16 Gauge Top, No Bottom Shelf.
- SS-4WT-963014-EBF 96"x30" Enclosed Base Work Table with 14 Gauge Top w/o Backsplash.
- SS-4WT-722414-DBR 72"x24" Enclosed Base Work Table with Doors and 14 Gauge Top w/Backsplash.

*enclosed bases must have bottom shelf



The Vollrath Company, L.L.C.
 1236 North 18th Street
 Sheboygan, WI 53081-3201 U.S.A.
 Customer Service: 800.628.0830
 Canada Customer Service: 800.695.8560
 Main Fax: 800.752.5620 or 920.459.6573

Technical Services: 800.628.0832
 Technical Services Fax: 920.459.5462