



Outperform every day.™

Project:
Item Number:
Quantity:

WALL-MOUNT HAND SINKS



141-0C



K1410-CP



1411

Wall-Mount Hand Sinks

DESCRIPTION

Vollrath Wall-Mount Hand Sinks are designed and built to withstand vigorous use in professional and commercial kitchens.

ITEMS

- 141-0 2-Hole Sink
- 141-0C 2-Hole Sink with Strainer
- K1410-C 2-Hole Sink with Strainer and Gooseneck Faucet
- K1410-CP 2-Hole Sink with Strainer, Gooseneck Faucet and P-Trap
- 1411 1-Hole Sink for use with Electronic Mixing Faucet (not included)
- 1410-0 2-Hole Sink with Splash Guards
- 1410CS 2-Hole Sink with Splash Guards and Strainer
- K1410CS 2-Hole Sink with Splash Guards, Strainer and Gooseneck Faucet

FEATURES

- Heavy-weight 20 gauge
- Type 304 stainless steel
- Brushed finish flange
- High back splash
- One-piece drawn bowl
- Positive drain - 2 inch diameter
- Includes mounting bracket
- Two holes on 4 inch centers, except 1411
- Single hole on 1411 to accommodate electronic mixing faucet
- K1410-C, K1410-CP, K1410CS include splash-mounted gooseneck faucet that has a full brass body, is AB1953 lead free compliant, and has a 2.2 GPM flow rating
- 2.2 GPM faucet

ACCESSORIES

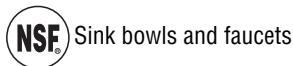
- 2613 - NSF listed splash-mounted gooseneck faucet has a full brass body, is AB1953 lead free compliant, and has a 2.2 GPM flow rating
- 2004 - Repair kit for 2613 faucet*
- 7466 - Strainer for 2" (5.1 CM) drain*
- 1410P - P-trap for 2" (5.1 CM) drain*
- 14110T - 4" (10.2 CM) flanged tail piece*

* Not NSF.

WARRANTY

All models shown come with Vollrath's standard warranty against defects in materials and workmanship. For full warranty details, please refer to www.Vollrath.com.

Agency Certifications



Due to continued product improvement, please consult www.vollrath.com for current product specifications.

Approvals	Date



Outperform every day.™

www.vollrath.com

The Vollrath Company, L.L.C.

1236 North 18th Street
Sheboygan, WI 53081-3201 U.S.A.
Main Tel: 800.624.2051 or 920.457.4851
Main Fax: 800.752.5620 or 920.459.6573
Customer Service: 800.628.0830
Canada Customer Service: 800.695.8560

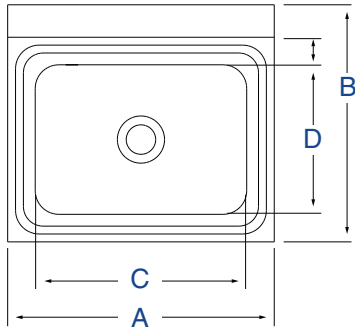
Technical Services
techservicereps@vollrathco.com
Induction Products: 800.825.6036
Countertop Warming Products: 800.354.1970
All Other Products: 800.628.0832

WALL-MOUNT HAND SINKS

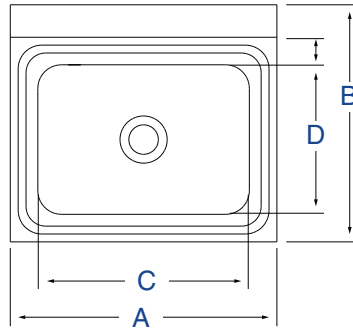
DIMENSIONS (shown in inches (cm))

141-0 / 141-0C / K1410-C / K1410-CP /
410-0 / 1410CS / K1410CS

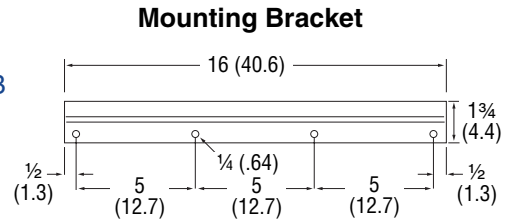
1411



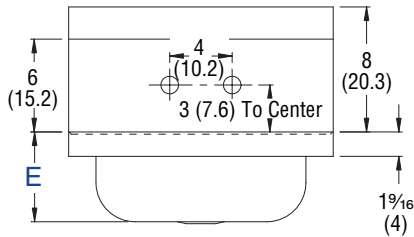
Top View



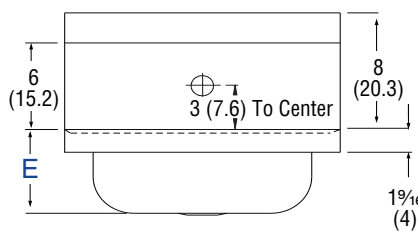
Top View



Mounting Bracket



Front View



Front View

SPECIFICATIONS

Item Number	Description	Overall Dimension (A x B)	Bowl Diameter (C x D)	Bowl Depth (E)	Drain Dia.	Gauge	Case Lot	Case Weight Lb (Kg)
141-0	2-Hole Sink	17 x 15 (43.2 x 38.1)	13 9/16 x 9 9/16 (24.3 x 34.4)	5 1/2 (14)	2 (5.1)	20	1	10 (4.5)
141-0C	2-Hole Sink with Strainer							10.5 (4.8)
K1410-C	2-Hole Sink with Strainer and Gooseneck Faucet							12.6 (5.7)
K1410-CP	2-Hole Sink with Strainer, Gooseneck Faucet and P-Trap							14 (6.4)
1411	1-Hole Sink for use with Electronic Mixing Faucet (not included)							10 (4.5)
1410-0	2-Hole Sink with Splash Guards							14.5 (6.6)
1410CS	2-Hole Sink with Splash Guards and Strainer							15 (6.8)
K1410CS	2-Hole Sink with Splash Guards, Strainer and Gooseneck Faucet							17.6 (8)



Outperform every day.™

www.vollrath.com

The Vollrath Company, L.L.C.

1236 North 18th Street
Sheboygan, WI 53081-3201 U.S.A.
Main Tel: 800.624.2051 or 920.457.4851
Main Fax: 800.752.5620 or 920.459.6573
Customer Service: 800.628.0830
Canada Customer Service: 800.695.8560

Technical Services
techservicereps@vollrathco.com
Induction Products: 800.825.6036
Countertop Warming Products: 800.354.1970
All Other Products: 800.628.0832