



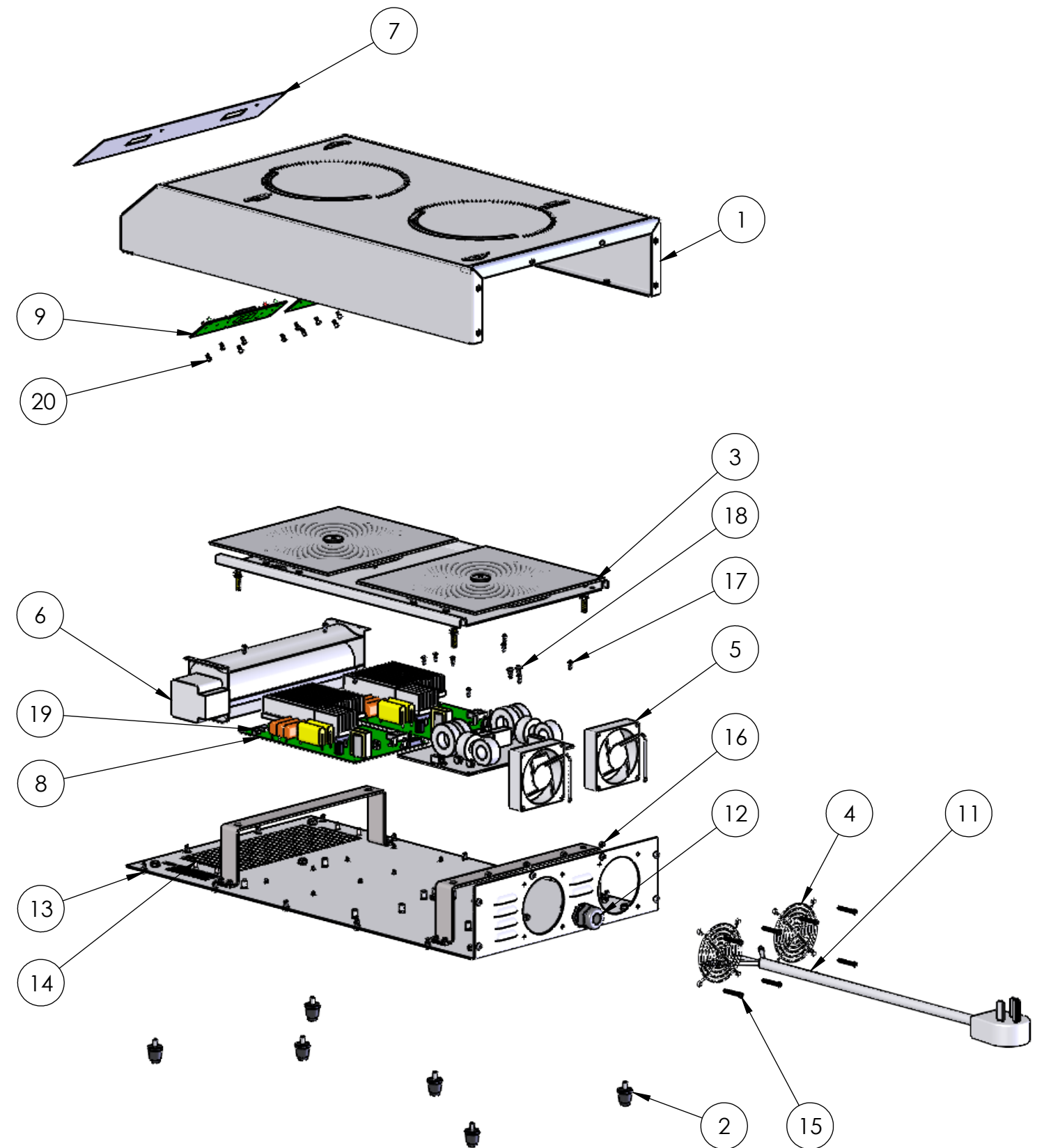
REPLACEMENT PARTS

| ITEM NO. | PART NUMBER | DESCRIPTION | 69507 QTY. | 69522 QTY. |
|----------|-------------|-------------------------------------|------------|------------|
| 1 | 352360-2 | Top Glass Assembly | 1 | 1 |
| 2 | 250805-1 | Foot | 6 | 6 |
| 3 | 352357-2 | Coil Tray Subassembly | 1 | 1 |
| 4 | 250457-1 | Large DC Fan Guard | 2 | 2 |
| 5 | 352367-2 | DC Fan Kit - Extended Wires | 1 | 1 |
| 6 | 250455-1 | AC Blower | 1 | 1 |
| 7 | 250854-1 | 69507 Mylar | 1 | 0 |
| | 250858-1 | 69522 Mylar | 0 | 1 |
| 8 | 354537-2 | EMI & Power Board Kit 69507 | 1 | 0 |
| | 352359-1 | EMI & Power Board Kit 69522 | 0 | 1 |
| 9 | 250312-1 | VOLLRATH LED UNITS | 2 | 2 |
| 10 | 250557-1 | RIBBON CABLE | 2 | 2 |
| 11 | 250944-1 | 50 AMP POWER CORD | 1 | 0 |
| | 250551-1 | 30 AMP POWER CORD | 0 | 1 |
| 12 | 352555-1 | 3/4" STRAIN RELIEF AND LOCK NUT KIT | 1 | 1 |

ITEM 10 NOT SHOWN

FASTENERS (GENERAL SPECIFICATION)

| ITEM NO. | DESCRIPTION |
|----------|--|
| 13 | SCREW - MACHINE, M5X12MM, W/ LOCK WASHER |
| 14 | SCREW - SHEET METAL, M4X12MM, SELF-TAPPING |
| 15 | SCREW - MACHINE, M4X35MM |
| 16 | NUT-HEX, M4, NYLON INSERT |
| 17 | SCREW, M4X10MM |
| 18 | SCREW, 10-32 X 1/2" |
| 19 | SCREW, 6-32 X 1/4" |
| 20 | SCREW, M4X8MM |



OPENING THE UNIT VOIDS WARRANTY