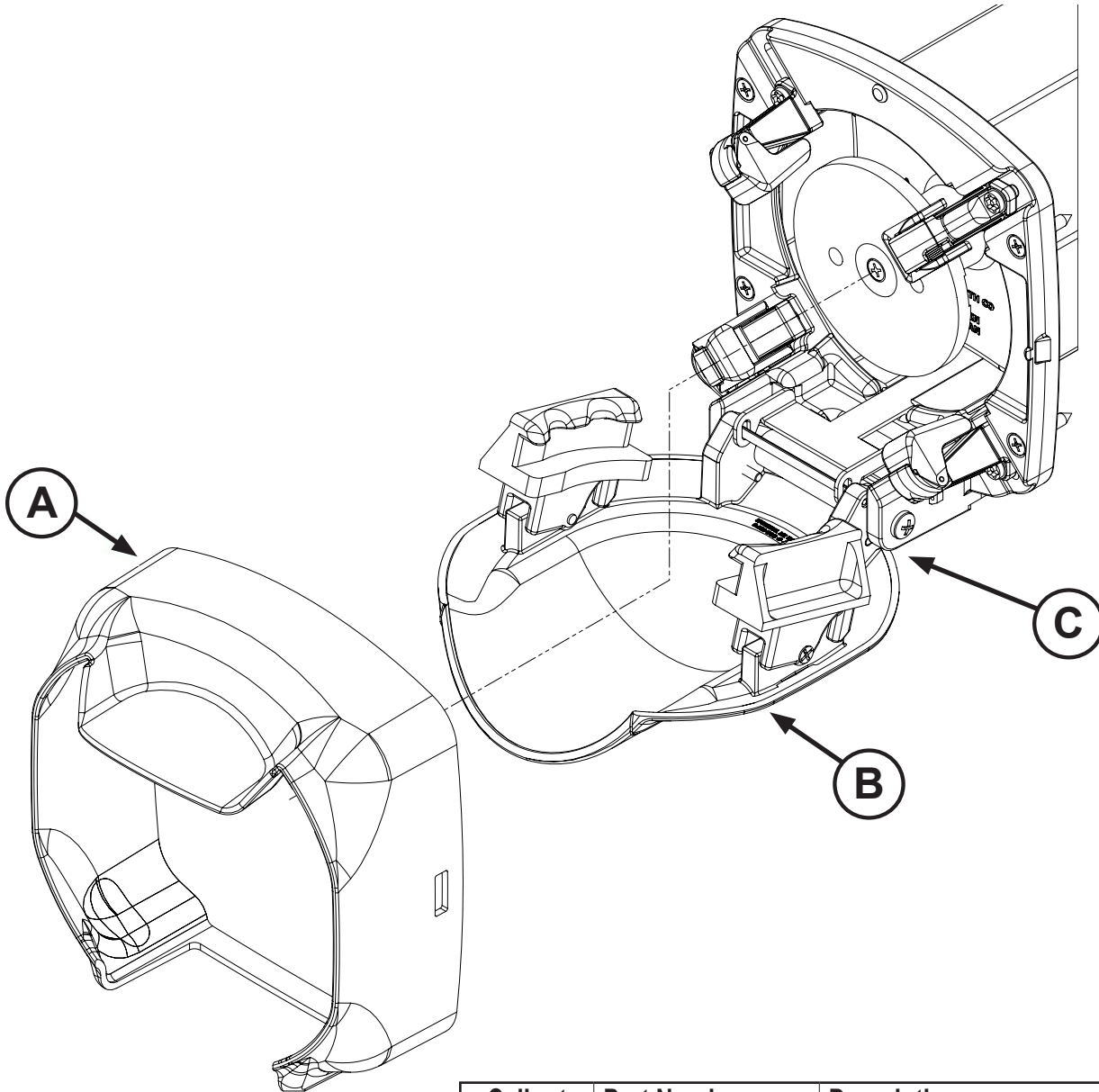


Spare Parts List and Exploded View

LIDSAVER® 2 IN-COUNTER AND CABINET LID DISPENSERS



Callout	Part Number	Description
A	8014074	LS02I Standard Snap on Black Housing (only black)
	8014078	LS02P Standard Snap on Black Housing (only black)
B	DK200I	LS02I Door Kits- Includes; door assembly and 2 black screws
	DK200P	LS02P Door Kits- Includes; door assembly and 2 black screws
C	CK100-__(lid Code)	Claw Kit - Contains: 2 sets of claws with Pivot blocks, 4 white screws, 4 black screws
	RT200I-__(lid Code)	LS02I Retro Kit - Contains: 4 black screws, 4 white screws, 1 lid identification sticker, 1 set of claws, 1 lid plate, 1 template, 1 tork wrench
	TU200I-__(lid Code)	LS02I Tune Up Kit - Contains: 4 black screws, 4 white screws, 1 lid template, 1 tork wrench
	RT200P-__(lid code)	LS02P Retro Kit - Contains: 4 black screws, 4 white screws, 1 lid identification sticker, 1 set of claws, 1 lid plate, 1 template, 1 tork wrench
	TU200P-__(lid code)	LS02P Tune Up Kit - Contains: 4 black screws, 4 white screws, 1 lid template, 1 tork wrench