



**Project:**  
**Item Number:**  
**Quantity:**

**HEAVY-DUTY DELI ELECTRIC SLICER**



Heavy-Duty Deli Electric Slicer

**ITEMS**

Item No.	Model No.	Description
40955	SLP330E/S	13" Heavy-Duty Deli Slicer, 35°

**FEATURES**

- 1/2 peak HP heavy-duty motor for continuous use and higher torque for cheese slicing
- Up to 13/16" (2.1 cm) slice thickness
- QuanTanium® coated non-stick plate increases glide performance and reduces clean-up time
- Built-in sharpener
- 35 degree gravity feed maximizes productivity by reducing operator fatigue and discomfort
- Extra-long slide rod to accommodate large loaves of meats and cheese
- Safety hand guard mounted to carriage
- Safety cover under motor
- Hard coated anodized aluminum body
- Kickstand for easily and safely cleaning underneath the slicer
- Non-marking, non-skid rubber feet
- Belt driven. Durable, long-wearing belt provides reliable service.
- Solid aluminum slice adjustment knob for precise and consistent slice thickness
- Carriage tray tilts open with zero blade exposure for safety and easy cleaning
- Large receiving tray
- Safe Blade Removal System
- Permanent blade rim guard for safety
- 6'4" (1.9 m) cord with plug

**DESCRIPTION**

The Vollrath Heavy-Duty Deli Electric Slicer is designed for high-volume retail operations that demand durability for continuous use, options to slice the widest variety of food and easy clean-up.

**ACCESSORIES**

- 40897 - 13" serrated blade
- 40895 - 7" stainless steel vegetable chute with pusher
- 40894 - 13" safe blade removal tool

**WARRANTY**

1 year on parts, 1 year on labor and 5 years on the belt. See Vollrath.com for full warranty details.

**Agency Listings**



**Certified to NSF/ANSI 8**

Approvals	Date

Due to continued product improvement, please consult [www.vollrath.com](http://www.vollrath.com) for current product specifications.



[www.vollrath.com](http://www.vollrath.com)

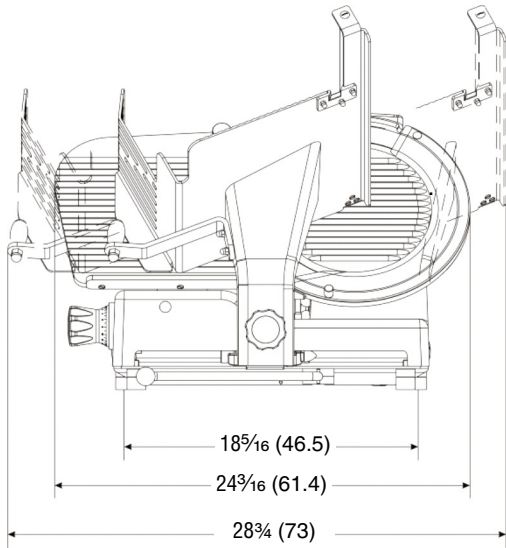
**The Vollrath Company, L.L.C.**

1236 North 18th Street  
 Sheboygan, WI 53081-3201 U.S.A.  
 Main Tel: 800.624.2051 or 920.457.4851  
 Main Fax: 800.752.5620 or 920.459.6573  
 Customer Service: 800.628.0830  
 Canada Customer Service: 800.695.8560

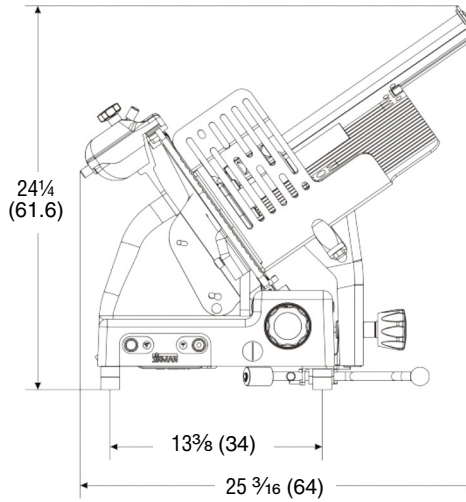
Technical Services  
[techservicereps@vollrathco.com](mailto:techservicereps@vollrathco.com)  
 Induction Products: 800.825.6036  
 Countertop Warming Products: 800.354.1970  
 All Other Products: 800.628.0832

# HEAVY-DUTY DELI ELECTRIC SLICER

## DIMENSIONS (Shown in inches (cm))



Side View

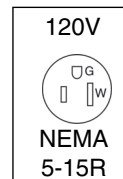


Front View

## SPECIFICATIONS

Item No.	Description	Peak HP	Voltage	Amps	Hertz	Weight Lbs (Kg)	Plug
40955	13" Heavy-Duty Deli Slicer, 35°	1/2	120	2	60	81 (37)	NEMA 5-15P

### Receptacle



[www.vollrath.com](http://www.vollrath.com)

### The Vollrath Company, L.L.C.

1236 North 18th Street  
 Sheboygan, WI 53081-3201 U.S.A.  
 Main Tel: 800.624.2051 or 920.457.4851  
 Main Fax: 800.752.5620 or 920.459.6573  
 Customer Service: 800.628.0830  
 Canada Customer Service: 800.695.8560

Technical Services  
[techservicereps@vollrathco.com](mailto:techservicereps@vollrathco.com)  
 Induction Products: 800.825.6036  
 Countertop Warming Products: 800.354.1970  
 All Other Products: 800.628.0832