



Outperform every day.™

ENGLISH

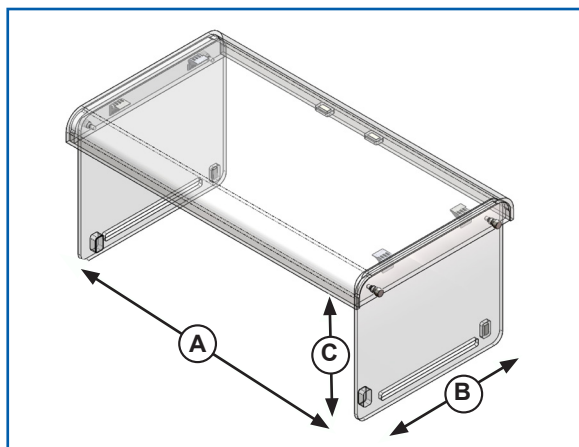
# Care and Use Instructions

## ACRYLIC MOBILE BREATH GUARDS

Item	Description	Size (LxWxH) (External)	Size (LxWxH) (Internal)*	Storage Bag Item
MBA92819	24" (61 cm) Acrylic Mobile Breath Guard w/Bag	24" x 19.5" x 16" (61 x 9.5 x 40.6 cm)	20.5" x 18" x 13" (52 x 45.7 x 33 cm)	2622410
MBA92820	36" (91.4 cm) Acrylic Mobile Breath Guard w/Bag	36" x 19.5" x 16" (91.4 x 49.5 x 40.6 cm)	32.5" x 18" x 13" (82.5 x 45.7 x 33 cm)	2623610
MBA92821	48" (121.9 cm) Acrylic Mobile Breath Guard w/Bag	48" x 19.5" x 16" (121.9 x 49.5 x 40.6 cm)	44.5" x 18" x 13" (113 x 45.7 x 33 cm)	2624810

\*INTERNAL SIZES:

- Length (L) = A
- Width (W) = B
- Height (H) = C



### HOW TO CLEAN ACRYLIC:

- Always use a clean soft lint free cotton cloth or microfiber towel or clean chamois, applying only light pressure.
- Use a neutral cleaner warm water and mild soap (dish soap such as Dawn or Joy) or cleaning solution or products specifically made for cleaning acrylic plastic. Recommended cleaners for acrylic include: Novus® #1, Plexiglass, and Brilliance.
- Rinse with clean water and dry by blotting with a damp cloth or chamois.
- To remove oil and grease use kerosene, immediately followed by rubbing alcohol; or remove kerosene with a good thorough washing in mild soap and warm water.
- If desired: For an added protective surface and to add a little luster to the finish, use furniture wax (Pledge®).
- If an electrostatic charge has built up on the surface, wipe plastic with a damp chamois. If static charge persists, spray on a coat of Static Guard® and wipe down with a soft cloth. Note: Static Guard® can be found in the laundry section of your grocery store.
- An approved plastic cleaner specifically for Acrylic is the best product that should be used in maintaining Acrylic products.

### WHAT NOT TO DO:

- **Do not** use cleaners containing alcohol, ammonia, abrasive cleaning compounds, or other strong solvents, such as acetone, benzene, lacquer thinner, carbon tetrachloride or ethyl gasoline. Cleaners with these chemicals will damage acrylic and other plastics.
- **Do not** use glass and window cleaning sprays (Windex®, Simple Green®, etc.) or abrasive chemical cleaners or kitchen scouring compounds (Comet®, Bar Keepers Friend®, Soft Scrub®, etc.).
- **Do not** use paper towels, a dry cloth or other dry cleaning products. Do not use abrasive materials, scratching cleansers, razor blades, brushes, steel wool or scouring pads, such as Scotch Brite® pads.
- **Do not** use WD-40® or petroleum, industrial or commercial cleaning products.

## REMOVING MINOR SCRATCHES:

- Fine scratches can be removed with a specialized mild abrasive polish such as Novus® #2, or Novus® #3. Heavier scratches, such that you can feel with your fingernail, will require some elbow effort to remove with a bit of sanding and buffing. A series of grits (250, 400, 600) followed by a buffing wheel and available buffing compound, will restore the luster of your acrylic.

## SETUP AND USE:

1. Making certain surface is clear of anything that could scratch the top, set top panel (A) upside down. See Figure 1.

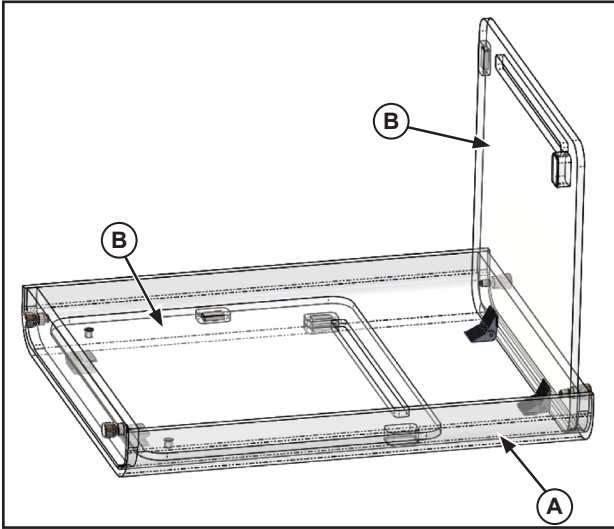


Figure 1. Open Side Panels

2. Open both side panels (B).
3. Be certain two (2) retractable screws (A) on each side are locked into position and tightened to hold side panels in place. DO NOT overtighten. See Figure 2.

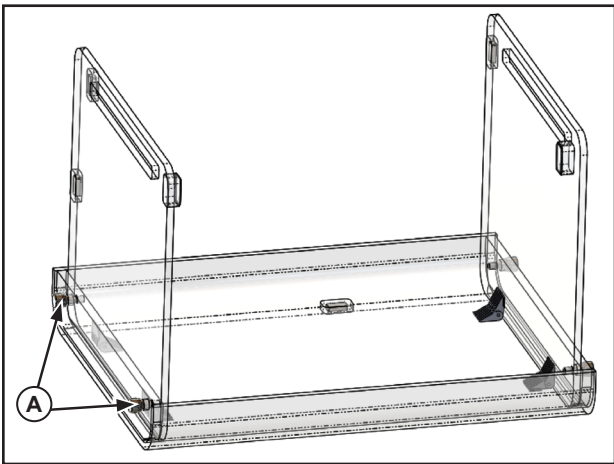


Figure 2. Lock in Retractable Screws to Secure Position

4. Set upright.

## STORAGE:

1. Making certain surface is clear of anything that could scratch the top, set top panel (A) upside down. See Figure 3.

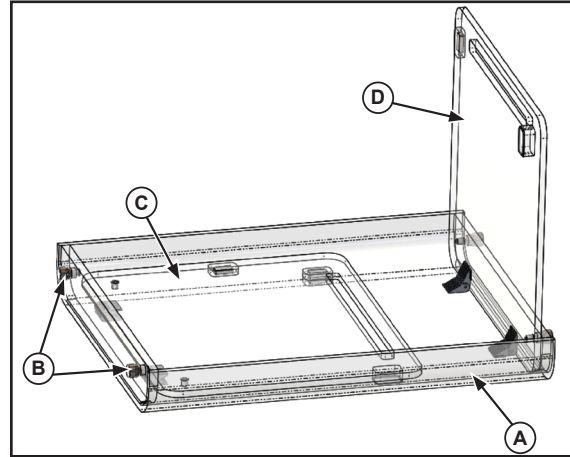


Figure 3. Close Side Panels

2. Close side panels:
  - 24" Breath Guard - Loosen two retractable screws (B) and pull out. Lower left side panel (C) first until magnetic catch activates. Repeat procedure to lower right side panel (D) until magnetic catch activates.
  - 36" and 48" Breath Guards - Loosen two retractable screws (B) and pull out. Lower left (C) and right (D) side panels in either order until magnetic catches activate for both panels.
3. Place mobile breath guard (A) into storage bag and close flap (B) to secure in bag. See Figure 4. NOTE: The carrying bag is not intended to carry other items as they may damage the bag or scratch the surfaces of the breathguard.

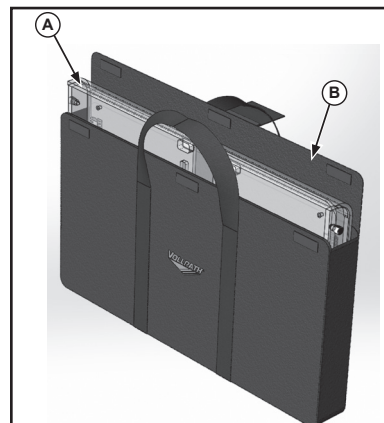


Figure 4. Install Breath Guard into Storage Bag



www.vollrath.com



The Vollrath Company, L.L.C.  
1236 North 18th Street  
Sheboygan, WI 53081-3201  
U.S.A.

Main Tel: 800.628.0830  
Fax: 800.752.5620

Technical Services: 800.628.0832  
Service Fax: 920.459.5462

Canada Service: 800.695.8560

© 2014 The Vollrath Company, L.L.C.