

Vollrath Induction Template Instructions

The Vollrath induction templates are specially manufactured to the highest standards. To maximize the life and beauty of these surfaces, read and follow all the instructions.

- The Vollrath induction template must only be installed by qualified service or installation personnel.
- These induction templates should only be used with Vollrath drop-in induction cookers and warmers. The top of the induction unit must be in contact with the bottom of the induction template for proper operation.
- Measure the induction template, induction unit, and counter top prior to installation to verify the template will fit.
- Apply food grade silicone between the induction template and the countertop around the entire edge. This will help the template stay in place and reduce liquid from entering the induction unit.
- A minimum of four clamps must be used with two hob templates and a minimum of eight clamps evenly be used with four hob induction templates. All clamps must be evenly spaced.
- All clearance and air circulation requirements for the induction unit(s) must be maintained. See the unit's operator's manual specifications.
- Drawer, door and other clearances need to be consider prior to installation of the Vollrath temple and the Vollrath induction unit.
- Due to the variety of installation applications and installation methods Vollrath is not responsible for damage to the induction template or induction unit during installation or during subsequent use.

INSTALLATION OF VOLLRATH INDUCTION TEMPLATES

The strategy or method you choose may differ from the one listed below. Figure 1 shows the method currently used to install an induction template to a Vollrath Buffet Table. Figure 2 shows another method which can be used. (Note: All clips, clamps and fastening hardware shown is customer provided.)

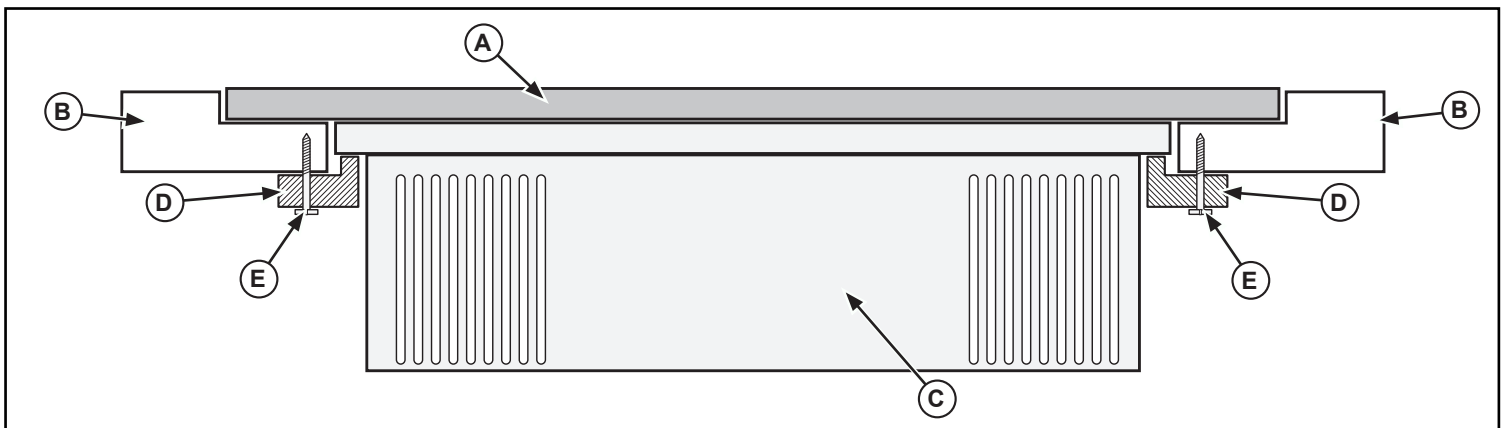


Figure 1. Current Vollrath Induction Buffet Table Mounting.

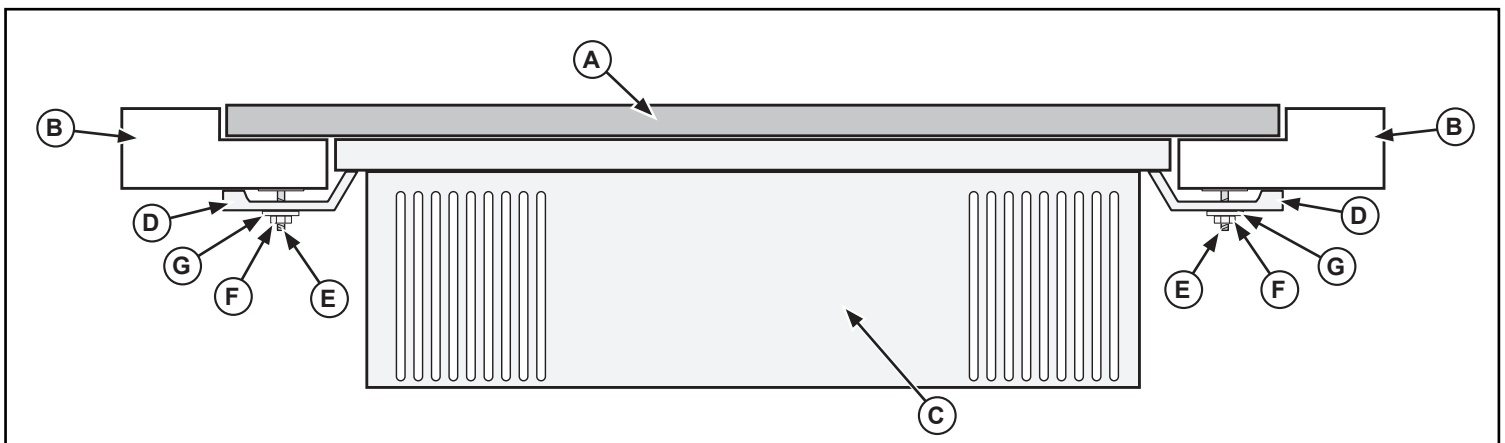


Figure 2. Possible Mounting Suggestion.

- | | | |
|------------------------------------|--|-----------|
| Ⓐ Vollrath induction template. | Ⓓ Clamp. Figure 1 shows a wood clamp. Figure 2 shows a metal clamp commonly used for mounting under cabinet sinks. | Ⓕ Nut. |
| Ⓑ Countertop or tabletop. | | Ⓖ Washer. |
| Ⓒ Vollrath drop-in induction unit. | Ⓔ Fastener. | |