



Outperform every day.™

Project:

Item Number:

Quantity:

INTERNATIONAL UNIVERSAL ELECTRIC CHAFER HEATER



Electric chafers heater shown in 46255 New York, New York® chafers.

ITEMS

- 46110 Electric Chafers Heater, Schuko plug
- 46115 Electric Chafers Heater, UK plug

FEATURES

- Designed to maintain the proper serving temperature without the need for open flame.
- Sized to fit standard fuel cup openings.
- Spring-loaded element maintains full contact with the water pan for efficient heat transfer.
- Choose from two power settings – LO: 160 watts and HI: 275 watts.
- Only one chafers heater needed per full size chafers if set on “HI” and water level does not exceed 1/3" (0.8 cm)
- 6-ft. (183 cm) long grounded cord.
- Will not work with the following Vollrath chafers: 46030, 46328, 46350, 46360, 46430, 46850, 48328, 49525, T3500, T3505, T3600, T3605 and T3633.

DESCRIPTION

Update your existing chafers to the convenience of electric heat. Vollrath’s Universal Electric Chafers Heater is designed to maintain the proper serving temperature without the need for open flame.

Agency Listing



Due to continued product improvement, please consult www.vollrath.com for current product specifications.

Approvals	Date

The Vollrath Company, L.L.C. Headquarters
 1236 North 18th Street
 Sheboygan, Wisconsin
 53081-3201 USA
 Main Tel: 800-624-2051 or 920-457-4851
 Main Fax: 800-752-5620 or 920-459-6573
 Canada Customer Service: 800-695-8560
 Tech Services: techservicereps@vollrathco.com
www.vollrath.com

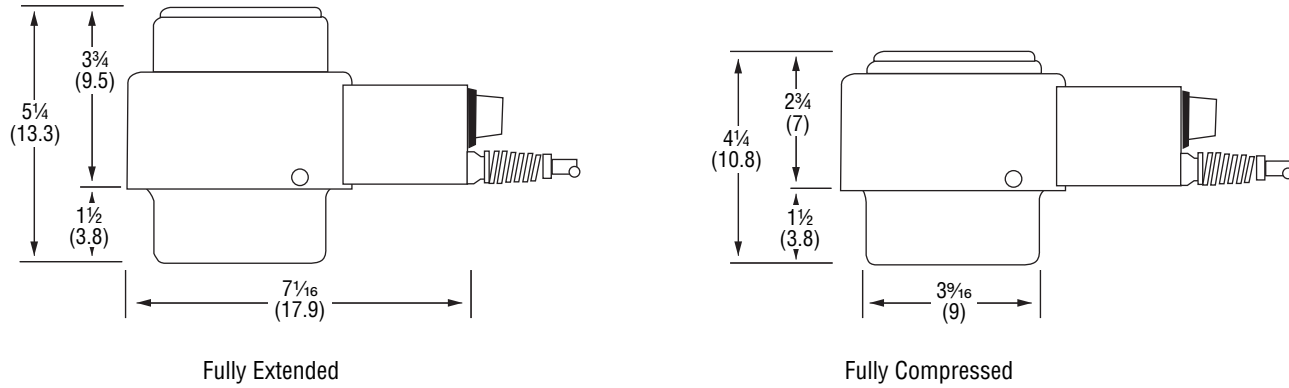
Vollrath Europe BV
 Beneluxbaan 7
 5121 AD RIJEN
 The Netherlands
 +31161870005

Vollrath of China
 Vollrath Shanghai Trading Limited
 23A, Time Square Plaza | 500
 Zhang Yang Road
 Pudong, Shanghai 200122
 Tel: 86-21-50589580

Vollrath de Mexico S. de R.L. de C.V.
 Periferico Sur No. 7980 Edificio 4-E
 Col. Santa Maria Tequepexpan
 45600 Tlaquepaque, Jalisco | Mexico
 Tel: (52) 333-133-6767
 Tel: (52) 333-133-6769
 Fax: (52) 333-133-6768

INTERNATIONAL UNIVERSAL ELECTRIC CHAFER HEATER

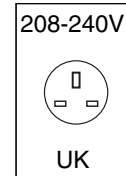
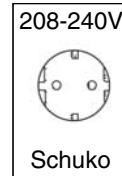
DIMENSIONS (Shown in inches (cm))



SPECIFICATIONS

Item No.	kW Rating	Volts	Amps	Plug	Shipping Dimensions IN (CM)	Shipping Weight LB (KG)
46110	120/230	230	1.0	Schuko	5 1/4 x 10 1/4 x 6 1/4 (13.3 x 26 x 15.9)	4 (1.8)
46115				UK		

Receptacles



The Vollrath Company, L.L.C. Headquarters
 1236 North 18th Street
 Sheboygan, Wisconsin
 53081-3201 USA
 Main Tel: 800-624-2051 or 920-457-4851
 Main Fax: 800-752-5620 or 920-459-6573
 Canada Customer Service: 800-695-8560
 Tech Services: techservicereps@vollrathco.com
 www.vollrath.com

Vollrath Europe BV
 Beneluxbaan 7
 5121 AD RIJEN
 The Netherlands
 +31161870005

Vollrath of China
 Vollrath Shanghai Trading Limited
 23A, Time Square Plaza | 500
 Zhang Yang Road
 Pudong, Shanghai 200122
 Tel: 86-21-50589580

Vollrath de Mexico S. de R.L. de C.V.
 Periferico Sur No. 7980 Edificio 4-E
 Col. Santa Maria Tequepexpan
 45600 Tlaquepaque, Jalisco | Mexico
 Tel: (52) 333-133-6767
 Tel: (52) 333-133-6769
 Fax: (52) 333-133-6768