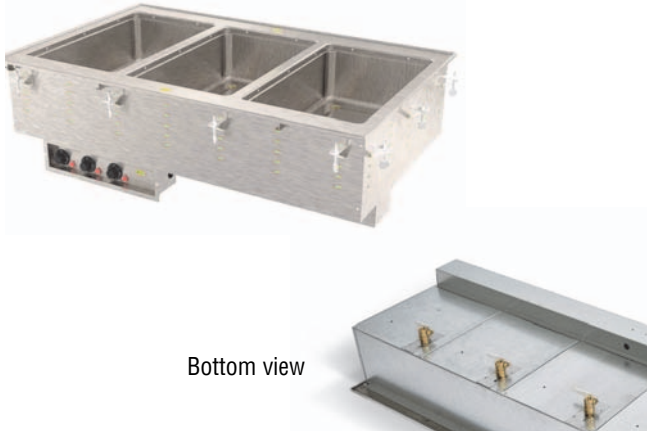




**Project:**  
**Item Number:**  
**Quantity:**

**THREE-WELL MODULAR HOT DROP-INS WITH MARINE-GRADE WELLS**



Bottom view

Item Numbers			Description	
Standard	Manifold	Manifold w/ Auto-Fill	Control	Voltage
<b>1000 Watts Per Well</b>				
3640401HD	3640451HD	3640461HD	Infinite	120
3640411HD	3640471HD	3640481HD	Thermostatic	
3640501HD	3640551HD	3640561HD	Infinite	208-240
3640511HD	3640571HD	3640581HD	Thermostatic	
<b>625 Watts Per Well</b>				
36404HD	3640450HD	3640460HD	Infinite	120
3640410HD	3640470HD	3640480HD	Thermostatic	
36405HD	3640550HD	3640560HD	Infinite	208
3640510HD	3640570HD	3640580HD	Thermostatic	
36473HD	3647350HD	3647360HD	Infinite	240
3647310HD	3647370HD	3647380HD	Thermostatic	

**DESCRIPTION**

Vollrath's Three-Well Modular Hot Drop-ins with Marine-Grade Wells keep hot foods at proper serving temperatures. They are designed for top-mount installation and do not require hard-wiring.

**SHORT DESCRIPTION**

Three-well hot-drop-in, full-size wells are marine-grade stainless steel, removable bottom panel, standard or manifold drains, insulated on all non-exposed sides, cord with plug, stainless steel remote control panel, mounting clips.

**Note:** Orders for drop-ins cannot be canceled or returned.

**Note:** Drop-in meets NSF4 performance standards only when using moist heat. Operation with water is required for even heating of the food product.

**FEATURES**

- Drawn wells are marine grade stainless steel (SAE Type-316).
- Removable panel at the bottom of each well for service access
- Include gasket for under drip edge
- Standard drain is ½" (1.3 cm) with individual well ball valves
- Manifold drain is 1" (2.5 cm) copper tubing with master manifold shut off
- Insulated on all sides, including between each well
- Includes 6' (1.8 m) cord with plug. Does not require hard-wiring
- Stainless steel control panel with individual controls and power indicator light for each well
- Control panel has 4' (121.9 cm) tethered connection for flexible mounting locations
- Includes standard mounting clips for use on counters up to 3" (7.6 cm) thick for easy installation
- Accepts full-size and fractional pans up to 6" (15.2 cm) deep
- Adapter bars are recommended when using fractional pans

**WARRANTY**

All models shown come with Vollrath's two-year warranty against defects in materials and workmanship. For full warranty details, please refer to [www.Vollrath.com](http://www.Vollrath.com).

**ACCESSORIES**

- Sheet pan adapter available. Item No. 19186.

**CLEARANCE AND ENVIRONMENT REQUIREMENTS**

- Zero-clearance installation
- Indoor use only. Room temperature and HVAC can effect performance temperatures

**Agency Listings**



Due to continued product improvement, please consult [www.vollrath.com](http://www.vollrath.com) for current product specifications.

Approvals	Date



[www.vollrath.com](http://www.vollrath.com)

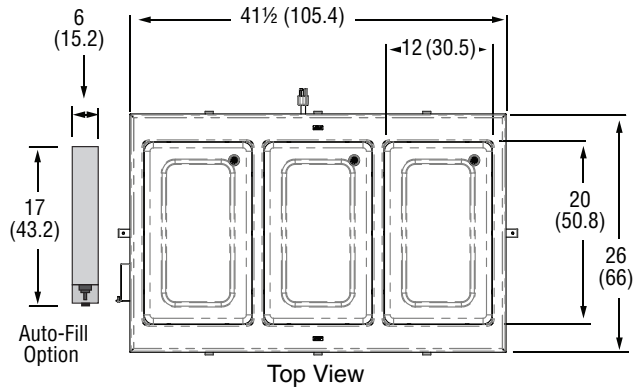
**The Vollrath Company, L.L.C.**

1236 North 18th Street  
 Sheboygan, WI 53081-3201 U.S.A.  
 Main Tel: 800.624.2051 or 920.457.4851  
 Main Fax: 800.752.5620 or 920.459.6573  
 Customer Service: 800.628.0830  
 Canada Customer Service: 800.695.8560

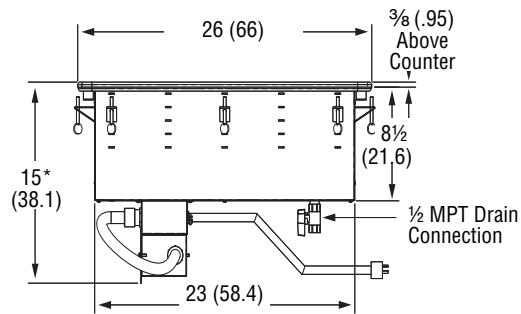
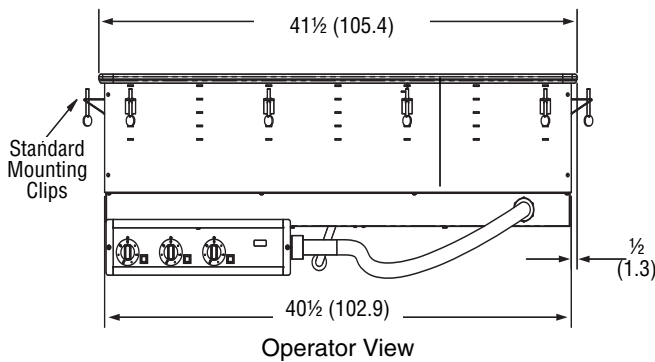
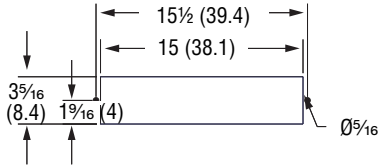
Technical Services  
[techservicereps@vollrathco.com](mailto:techservicereps@vollrathco.com)  
 Induction Products: 800.825.6036  
 Countertop Warming Products: 800.354.1970  
 All Other Products: 800.628.0832

# THREE-WELL MODULAR HOT DROP-INS WITH MARINE-GRADE WELLS

## DIMENSIONS (Shown in inches (cm))



### Control Panel Cutout



Controls must be mounted on operator (raceway) side for proper orientation with wells.

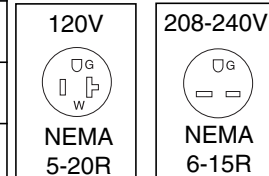
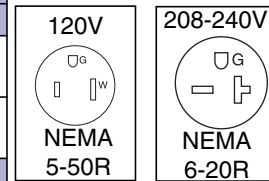
\*Manifold drain adds 6 1/2 (16.5) to overall height

## ELECTRICAL SPECIFICATIONS

Standard	Manifold	Manifold w/ Auto-Fill	Control	Cutout Dimension IN (CM)	Voltage	Amps	Plug
<b>1000 Watts Per Well</b>							
3640401HD	3640451HD	3640461HD	Infinite	40 3/4 x 25 1/4 (103.5)	120	25	NEMA 5-50P
3640411HD	3640471HD	3640481HD	Thermostatic				
3640501HD	3640551HD	3640561HD	Infinite		208-240	10.8-12.5	NEMA 6-20P
3640511HD	3640571HD	3640581HD	Thermostatic				
<b>625 Watts Per Well</b>							
36404HD	3640450HD	3640460HD	Infinite	40 3/4 x 25 1/4 (64.1)	120	15.6	NEMA 5-20P
3640410HD	3640470HD	3640480HD	Thermostatic				
36405HD	3640550HD	3640560HD	Infinite		208	9.0	NEMA 6-15P
3640510HD	3640570HD	3640580HD	Thermostatic				
36473HD	3647350HD	3647360HD	Infinite		240	7.8	NEMA 6-15P
3647310HD	3647370HD	3647380HD	Thermostatic				

**Note:** Cutout must have a 7/8" (2.2 cm) corner radius.

### Straight Blade Receptacles



**NOTICE:** Do NOT modify the cord or plug on the drop-in. Modifying any component may damage the drop-in or cause injury, and will void the warranty.



[www.vollrath.com](http://www.vollrath.com)

### The Vollrath Company, L.L.C.

1236 North 18th Street  
 Sheboygan, WI 53081-3201 U.S.A.  
 Main Tel: 800.624.2051 or 920.457.4851  
 Main Fax: 800.752.5620 or 920.459.6573  
 Customer Service: 800.628.0830  
 Canada Customer Service: 800.695.8560

Technical Services  
[techservicereps@vollrathco.com](mailto:techservicereps@vollrathco.com)  
 Induction Products: 800.825.6036  
 Countertop Warming Products: 800.354.1970  
 All Other Products: 800.628.0832