



# SINKS

Vollrath sinks are designed and built to withstand vigorous use in professional and commercial kitchens

## Wall-Mount Hand Sinks

- Heavy-weight 20 gauge
- Optional Splash Mounted AB1953 Lead Free Compliant Faucet - Full Brass Body
- Type 304 stainless steel
- Brushed finish flange
- High back splash
- One-piece drawn bowl
- Positive drain - 2" Dia.
- 2 holes on 4" center



CERTIFICATION(S)



ITEM #	DESCRIPTION	OVERALL DIMENSIONS IN (CM)	BOWL SIZE W x L x D IN (CM)	CASE LOT
141-0	Sink	17 x 15 (43.2 x 38.1)	13 <sup>3</sup> / <sub>16</sub> x 9 <sup>9</sup> / <sub>16</sub> x 5 <sup>1</sup> / <sub>2</sub> (34.4 x 24.3 x 14)	1
141-0C	Sink with strainer	17 x 15 (43.2 x 38.1)	13 <sup>3</sup> / <sub>16</sub> x 9 <sup>9</sup> / <sub>16</sub> x 5 <sup>1</sup> / <sub>2</sub> (34.4 x 24.3 x 14)	1
K1410-C	Sink with strainer and gooseneck faucet	17 x 15 (43.2 x 38.1)	13 <sup>3</sup> / <sub>16</sub> x 9 <sup>9</sup> / <sub>16</sub> x 5 <sup>1</sup> / <sub>2</sub> (34.4 x 24.3 x 14)	1
K1410-CP	Sink with strainer, gooseneck faucet and P-Trap	17 x 15 (43.2 x 38.1)	13 <sup>3</sup> / <sub>16</sub> x 9 <sup>9</sup> / <sub>16</sub> x 5 <sup>1</sup> / <sub>2</sub> (34.4 x 24.3 x 14)	1
1411*	Sink for use with electronic mixing faucet (not included)	17 x 15 (43.2 x 38.1)	13 <sup>3</sup> / <sub>16</sub> x 9 <sup>9</sup> / <sub>16</sub> x 5 <sup>1</sup> / <sub>2</sub> (34.4 x 24.3 x 14)	1
<b>With Splash Guard Sides</b>				
1410-0	Sink with splash guards	17 x 15 (43.2 x 38.1)	13 <sup>3</sup> / <sub>16</sub> x 9 <sup>9</sup> / <sub>16</sub> x 5 <sup>1</sup> / <sub>2</sub> (34.4 x 24.3 x 14)	1
1410CS	Sink with splash guards and strainer	17 x 15 (43.2 x 38.1)	13 <sup>3</sup> / <sub>16</sub> x 9 <sup>9</sup> / <sub>16</sub> x 5 <sup>1</sup> / <sub>2</sub> (34.4 x 24.3 x 14)	1
K1410CS	Sink with splash guards, strainer and gooseneck faucet	17 x 15 (43.2 x 38.1)	13 <sup>3</sup> / <sub>16</sub> x 9 <sup>9</sup> / <sub>16</sub> x 5 <sup>1</sup> / <sub>2</sub> (34.4 x 24.3 x 14)	1

\* 1411 has single hole.

ACCESSORIES

		CASE LOT
2613	Gooseneck faucet - AB1953 Lead Free Compliant	1
2004	Repair kit for 2613 faucet	1
7466*	Strainer for 2" (5.1) drain	1
1410T*	4" (10.2) flanged tail piece	24

\* Not NSF or CSA





K1734-C



155-4

## Bar Sinks

- Heavy-weight 20 gauge
- Type 304 stainless steel
- Self-rimming
- Satin finish bowl with brushed finished flange
- One-piece drawn bowl
- Stud mounting with mounting brackets included
- Positive drain - 3½" Dia.
- Optional Splash Mounted AB1953 Lead Free Compliant Faucet - Full Brass Body
- 2 holes on 4" centers

### CERTIFICATION(S)



ITEM #	DESCRIPTION	OVERALL DIMENSIONS IN (CM)	BOWL SIZE W x L x D IN (CM)	CASE LOT
155-4	Sink	15 x 15 (38.1 x 38.1)	11 x 10 x 6¾ (28 x 25.4 x 15.7)	1
1554-C	Sink with strainer	15 x 15 (38.1 x 38.1)	11 x 10 x 6¾ (28 x 25.4 x 15.7)	1
K1554-C	Sink with strainer and gooseneck faucet	15 x 15 (38.1 x 38.1)	11 x 10 x 6¾ (28 x 25.4 x 15.7)	1
1551*	Sink for use with electronic mixing faucet (not included)	15 x 15 (38.1 x 38.1)	11 x 10 x 6¾ (28 x 25.4 x 15.7)	1
173-4-2	Sink	13 x 17 (33 x 43.2)	10 x 11 x 6¾ (25.4 x 28 x 15.7)	1
1734-C	Sink with strainer	13 x 17 (33 x 43.2)	10 x 11 x 6¾ (25.4 x 28 x 15.7)	1
K1734-C	Sink with strainer and gooseneck faucet	13 x 17 (33 x 43.2)	10 x 11 x 6¾ (25.4 x 28 x 15.7)	1

\* Has single hole.

ACCESSORIES		CASE LOT
2612	Gooseneck faucet, 4" (10.2) centers, 7½" (19.1) high	1
2005	Repair kit for 2612 faucet	1
7400P*	Strainer for 3½" (8.9) drains	1

\* Not NSF or CSA



102-1-2

212560

## Counter Top Sinks

- Available in heavy-weight 20 gauge and standard weight 22 gauge
- Type 304 stainless steel
- Self-rimming or flat rim
- One-piece drawn bowl
- Satin finish bowl with brushed finished flange

### CERTIFICATION(S)

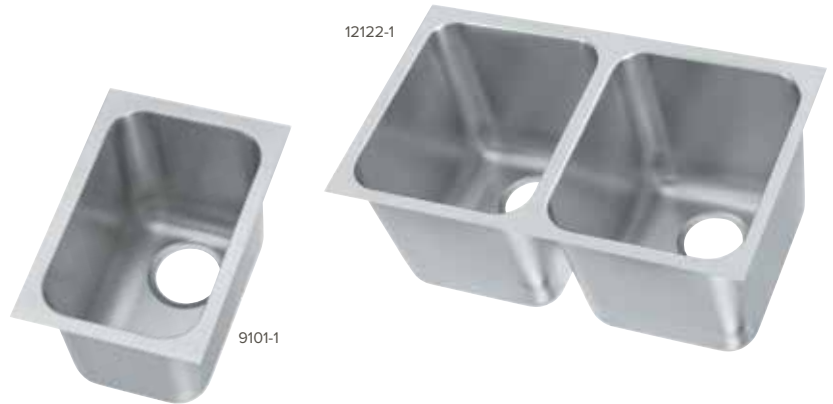


ITEM #	DESCRIPTION	GAUGE	OVERALL DIMENSIONS IN (CM)	BOWL SIZE W x L x D IN (CM)	DRAIN DIA.	CASE LOT
<b>Counter Top Self-Rimming Sinks</b>						
212560	Single bowl sink	22	13 x 15¾ (33 x 40.0)	11 x 13¼ x 6 (27.9 x 33.6 x 15.2)	2 (5.1)	1
101-1-1	Single bowl sink	20	13 x 17 (33 x 43.2)	10 x 14 x 10 (25.4 x 35.6 x 25.4)	3½ (8.9)	1
101-1-2	Single bowl sink	20	13 x 17 (33 x 43.2)	10 x 14 x 10 (25.4 x 35.6 x 25.4)	2 (5.1)	1
173-1	Single bowl sink	20	13 x 17 (33 x 43.2)	10 x 14 x 6½ (25.4 x 35.6 x 16.5)	3½ (8.9)	1
229-1	Single bowl sink	20	22 x 19 (55.9 x 48.3)	16 x 18½ x 6½ (40.6 x 47 x 16.5)	3½ (8.9)	1
102-1-1	Double bowl sink	20	25 x 17 (63.5 x 43.2)	10 x 14 x 10 (25.4 x 35.6 x 25.4)	3½ (8.9)	4
102-1-2	Double bowl sink	20	25 x 17 (63.5 x 43.2)	16 x 18½ x 10 (40.6 x 47 x 16.5)	2 (5.1)	4
<b>Counter Top Flat Rim Sinks</b>						
131-8	Single bowl sink	22	13 x 10¾ (33 x 27.3)	9¾ x 11¾ x 4 (23.8 x 29.8 x 10.2)	2 (5.1)	6
131-9	Single bowl sink	22	13 x 10¾ (33 x 27.3)	9¾ x 11¾ x 6½ (23.8 x 29.8 x 16.5)	2 (5.1)	6

## Undermount/Welded-In Sinks

- Available in heavy-weight 20 gauge and extra-heavy weight 18 gauge
- Type 304 stainless steel
- 1" flange
- Satin finish bowl with brushed finished flange
- One-piece drawn bowl

### CERTIFICATION(S)



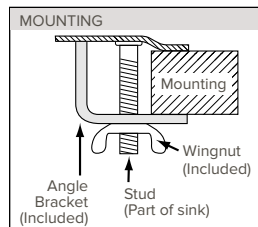
ITEM #	DESCRIPTION	OVERALL DIMENSIONS IN (CM)	BOWL SIZE W x L x D IN (CM)	DRAIN DIA.	CASE LOT
<b>Heavy Weight 20 Gauge</b>					
9101-1	Single bowl sink	11 x 16 (27.9 x 40.6)	9 x 14 x 10 (22.9 x 35.6 x 25.4)	3½ (8.9)	4
10101-0*	Single bowl sink	12 x 16 (30.5 x 40.6)	10 x 14 x 10 (25.4 x 35.6 x 25.4)	N/A	4
10101-1P	Single bowl sink	12 x 16 (30.5 x 40.6)	10 x 14 x 10 (25.4 x 35.6 x 25.4)	3½ (8.9)	4
12101-1	Single bowl sink	14 x 16 (35.6 x 40.6)	12 x 14 x 10 (30.5 x 35.6 x 25.4)	3½ (8.9)	2
9102-1	Double bowl sink	21 x 16 (53.3 x 40.6)	9 x 14 x 10 (22.9 x 35.6 x 25.4)	3½ (8.9)	1
10102-1	Double bowl sink	23 x 16 (58.4 x 40.6)	10 x 14 x 10 (25.4 x 35.6 x 25.4)	3½ (8.9)	1
12102-1	Double bowl sink	27 x 16 (68.6 x 40.6)	12 x 14 x 10 (30.5 x 35.6 x 25.4)	3½ (8.9)	1
9103-1	Triple bowl sink	31 x 16 (78.7 x 40.6)	9 x 14 x 10 (22.9 x 35.6 x 25.4)	3½ (8.9)	1
10103-1	Triple bowl sink	34 x 16 (86.4 x 40.6)	10 x 14 x 10 (25.4 x 35.6 x 25.4)	3½ (8.9)	1
12103-1	Triple bowl sink	40 x 16 (101.6 x 40.6)	12 x 14 x 10 (30.5 x 35.6 x 25.4)	3½ (8.9)	1
<b>Super Heavy Weight 18 Gauge</b>					
12121-1	Single bowl sink	14 x 16 (35.6 x 40.6)	12 x 14 x 12 (30.5 x 35.6 x 30.5)	3½ (8.9)	2
16141-1	Single bowl sink	18 x 21 (45.7 x 53.3)	16 x 19 x 14 (40.6 x 48.3 x 35.6)	3½ (8.9)	1
12122-1	Double bowl sink	27 x 16 (68.6 x 40.6)	12 x 14 x 12 (30.5 x 35.6 x 30.5)	3½ (8.9)	1
12123-1	Triple bowl sink	40 x 16 (101.6 x 40.6)	12 x 14 x 12 (30.5 x 35.6 x 30.5)	3½ (8.9)	1
12123-2	Triple bowl sink	40 x 16 (101.6 x 40.6)	12 x 14 x 12 (30.5 x 35.6 x 30.5)	2 (5.1)	1

\*Solid bowl. No drain.

## Vending Cart Sinks

- Standard weight 22 gauge
- Type 304 stainless steel
- Self-rimming
- Satin finish bowl with brushed finished flange
- Stud mounting with mounting brackets included
- 2" drain
- Sound deadening

### CERTIFICATION(S)



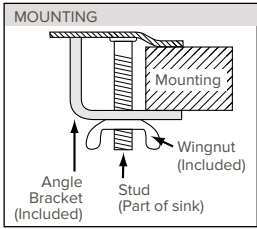
ITEM #	DESCRIPTION	OVERALL DIMENSIONS IN (CM)	BOWL SIZE W x L x D IN (CM)	CASE LOT
12065-2	Double bowl sink	17 x 13 (43.2 x 33.0)	6½ x 12½ x 5 (15.6 x 30.8 x 12.7)	1
12065-3	Triple bowl sink	21 x 13 (53.3 x 33.0)	6½ x 12½ x 5 (15.6 x 30.8 x 12.7)	1



201250\*



201260



## Round Sinks

- Type 304 stainless steel
- Buffed bead stainless steel
- Self-rimming
- Top or bottom mount
- Positive drain (201250 only)
- 2" drain diameter
- Stud mount
- Mounting brackets included
- Brushed finish flange
- Satin finish bowl

CERTIFICATION(S)



ITEM #	DESCRIPTION	GAUGE	OVERALL DIMENSIONS IN (CM)	BOWL SIZE DIA x D IN (CM)	CASE LOT
201250*	Sink	22	12 <sup>15</sup> / <sub>16</sub> (32.9)	10 <sup>3</sup> / <sub>4</sub> x 4 <sup>1</sup> / <sub>2</sub> (27.3 x 11.4)	5
201260	Sink with straight sides	20	12 <sup>1</sup> / <sub>4</sub> (31.1)	10 <sup>3</sup> / <sub>8</sub> x 5 <sup>1</sup> / <sub>4</sub> (26.2 x 13.3)	1

\* Only 201250 is CSA.

## ALSO NEW TO VOLLRATH



## Knock Box

- Stainless steel
- One sixth size, 4" deep
- Rubber coated knock bar
- Includes attachable rubber feet

CERTIFICATION(S)



ITEM #	RIM DIMENSIONS IN (CM)	CAPACITY QT	CASE LOT
E06064-KB	6 <sup>7</sup> / <sub>8</sub> x 6 <sup>3</sup> / <sub>8</sub> x 4 (17.2 x 16.2 x 10.2)	1 <sup>7</sup> / <sub>8</sub>	1



E6WC02

E9WC02

## Waste Chutes

- Stainless steel
- Won't chip, break or corrode and has an easy to clean finish
- Strong rounded collar is smooth and provides a positive fit into any counter top

CERTIFICATION(S)



3Y0502-2

3Y0505

8Y802

120Y02

ITEM #	RIM DIMENSIONS DIA x D IN (CM)	CASE LOT
Rectangular Waste Chutes		
E6WC02	Sixth size x 2 (5.1) deep	6
E9WC02	Ninth size x 2 (5.1) deep	12
Round Waste Chutes		
1Y402	4 <sup>9</sup> / <sub>16</sub> x 2 (11.6 x 5.1)	12
3Y0502	6 <sup>9</sup> / <sub>16</sub> x 2 (16.7 x 5.1)	6
3Y0505	6 <sup>9</sup> / <sub>16</sub> x 5 (16.7 x 12.7)	8
8Y802	8 <sup>23</sup> / <sub>32</sub> x 2 (22.1 x 5.1)	6
120Y02	11 x 2 (27.9 x 5.1)	6
Round Chute with Knock Bar		
3Y0502-2	6 <sup>9</sup> / <sub>16</sub> x 2 (16.7 x 5.1)	6