

VOLLRATH®

Project:

Item Number:

Quantity:

TOMATO PRO™ MANUAL TOMATO SLICER



DESCRIPTION

Vollrath® Tomato Pro slices tomatoes, oranges, strawberries, and similar fruit in one stroke. Corrosion-resistant blades cut cleanly and efficiently to reduce bruising, waste, and prep time.

AGENCY LISTINGS



Due to continued product improvement, please consult vollrathfoodservice.com for current product specifications.

ITEMS

Item	Description	Blade Style	Replacement Blade Item
0643N	Tomato Pro— $\frac{3}{16}$ " (4.8 mm), 15 blades	Straight	0653
0644N	Tomato Pro— $\frac{1}{4}$ " (6.4 mm), 11 blades	Straight	0654
0646N	Tomato Pro— $\frac{3}{8}$ " (9.5 mm), 8 blades	Straight	0656
0694N	Tomato Pro— $\frac{3}{16}$ " (4.8 mm), 15 blades	Scalloped	0648
0645N	Tomato Pro— $\frac{1}{4}$ " (6.4 mm), 11 blades	Scalloped	0652
0643SGN	Tomato Pro with guard— $\frac{3}{16}$ " (4.8 mm), 15 blades	Straight	0653
0644SGN	Tomato Pro with guard— $\frac{1}{4}$ " (6.4 mm), 11 blades	Straight	0654

Accessory	Description	
0647	Replacement Blade, $\frac{3}{8}$ " (9.5), 8 blades	Scalloped
4425	Blade-Cleaning Brush	N/A

FEATURES & BENEFITS

- Blades cut tomatoes precisely without pre-scoring.
- Large slicing area can accommodate tomatoes up to 3 $\frac{1}{2}$ ".
- Cutting is notably faster and more efficient than by hand.
- Blade assemblies are easily removable for cleaning.
- Corrosion-resistant base endures acidic foods long-term.
- Wide, stable base, and Stop Arm enable confident cuts.
- Clean, consistent slicing decreases waste and saves money.
- Rubber feet prevent sliding during use.

WARRANTY

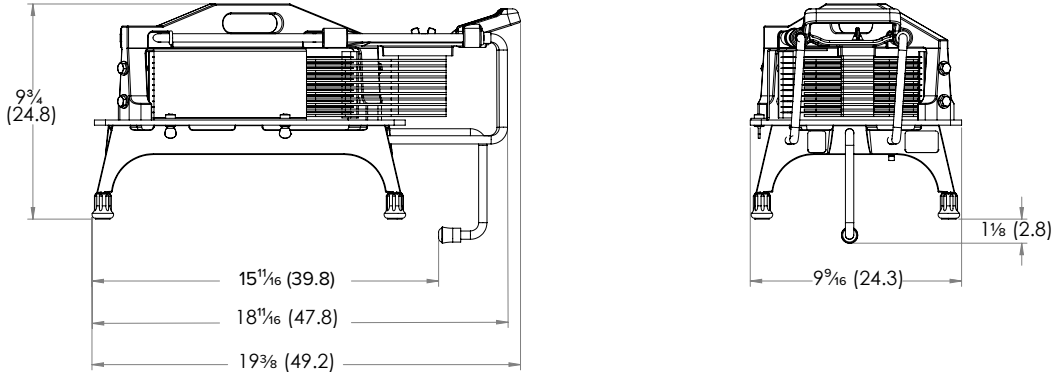
All models shown come with a Vollrath® 2-year warranty against defects in materials and workmanship. For full warranty details, please refer to vollrathfoodservice.com.

NOTICE: Blades are not covered by warranty.

TOMATO PRO™ MANUAL TOMATO SLICER

DIMENSIONS

Shown in inches (cm)



SPECIFICATIONS

Item	Description	Dimensions			Shipping			
		W	H	D	Weight lb (kg)	W	H	D
All Models	Tomato Pro	19 3/8" (49.2)	9 3/4 (24.8)	9 9/16 (24.3)	14.6 (6.6)	18 11/16 (47.5)	9 1/2 (24.1)	9 1/2 (24.1)



The Vollrath Company, L.L.C.
 1236 North 18th Street
 Sheboygan, WI 53081-3201 U.S.A.
 Main Tel: 800.624.2051 or 920.457.4851
 Main Fax: 800.752.5620 or 920.459.6573
 Customer Service: 800.628.0830
 Canada Customer Service: 800.695.8560

Technical Service
 techservicereps@vollrathco.com
 Induction Products: 800.825.6036
 Countertop Warming Products: 800.354.1970
 All Other Products: 800.628.0832