



Outperform every day.™

Project:
Item Number:
Quantity:

COUNTERTOP MIXERS



7 Quart



10 Quart

DESCRIPTION

Vollrath's countertop mixers are designed specifically for small commercial mixing applications. These compact tabletop mixers are small enough to fit into any kitchen yet robust enough for continuous use.

ITEMS

Item No.	Model No.	Description
40755	MIX1007	Countertop Mixer, 7 Quart (US and Canada)
40756	MIX1010	Countertop Mixer, 10 Quart (US and Canada)

FEATURES

- Commercial grade countertop model
- Comes standard with dough hook, wire whisk, flat beater, stainless steel mixing bowl and safety guard
- Five-speed direct drive transmission
- Digital control panel to make easy speed shifts while unit is running
- 0-30 minute digital timer stops the mixer when timer ends
- Compact and lighter weight design for smaller footprint, easier cleaning, and portability
- Non-skid rubber base
- 6 ft. (1.8 m) cord with plug

AGENCY LISTINGS



Due to continued product improvement, please consult www.vollrath.com for current product specifications.

WARRANTY

The warranty period is 2 years on parts, 1 year on labor and 5 years on belts. For full warranty details, please refer to www.Vollrath.com.

Approvals	Date



Outperform every day.™

www.vollrath.com

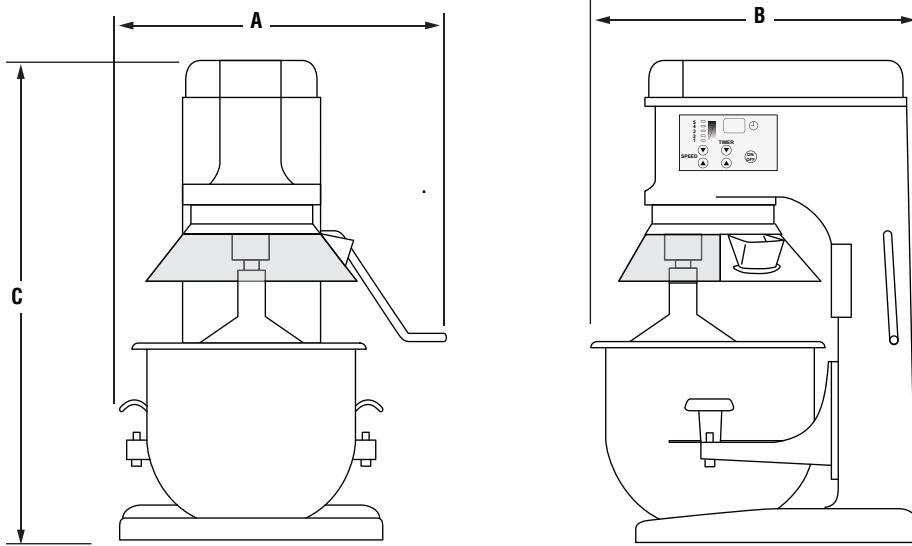
The Vollrath Company, L.L.C.

1236 North 18th Street
Sheboygan, WI 53081-3201 U.S.A.
Main Tel: 800.624.2051 or 920.457.4851
Main Fax: 800.752.5620 or 920.459.6573
Customer Service: 800.628.0830
Canada Customer Service: 800.695.8560

Technical Services
techservicereps@vollrathco.com
Induction Products: 800.825.6036
Countertop Warming Products: 800.354.1970
All Other Products: 800.628.0832

COUNTERTOP MIXERS

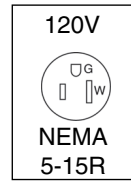
DIMENSIONS (Shown in inches (cm))



SPECIFICATIONS

Item No.	Capacity	Dimensions			Transmission	HP	Voltage	Amps	Hz	Plug
		(A) Width	(B) Depth	(C) Height						
40755	7 Qt.	13 1/8 (33.3)	17 3/4 (45.1)	20 1/4 (51.4)	5 speed	1/3	110-120	6	60	NEMA 5-15P
40756	10 Qt.	13 1/16 (33.2)	17 11/16 (44.9)	21 3/16 (53.8)						

Receptacle



Outperform every day.™

www.vollrath.com

The Vollrath Company, L.L.C.

1236 North 18th Street
 Sheboygan, WI 53081-3201 U.S.A.
 Main Tel: 800.624.2051 or 920.457.4851
 Main Fax: 800.752.5620 or 920.459.6573
 Customer Service: 800.628.0830
 Canada Customer Service: 800.695.8560

Technical Services
techservicereps@vollrathco.com
 Induction Products: 800.825.6036
 Countertop Warming Products: 800.354.1970
 All Other Products: 800.628.0832