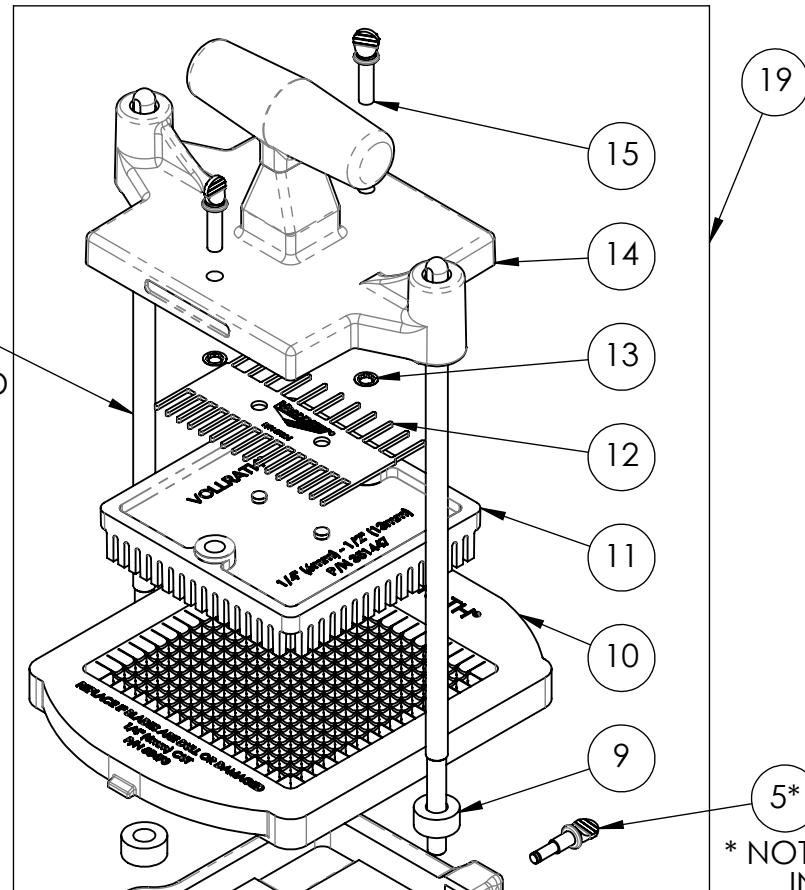
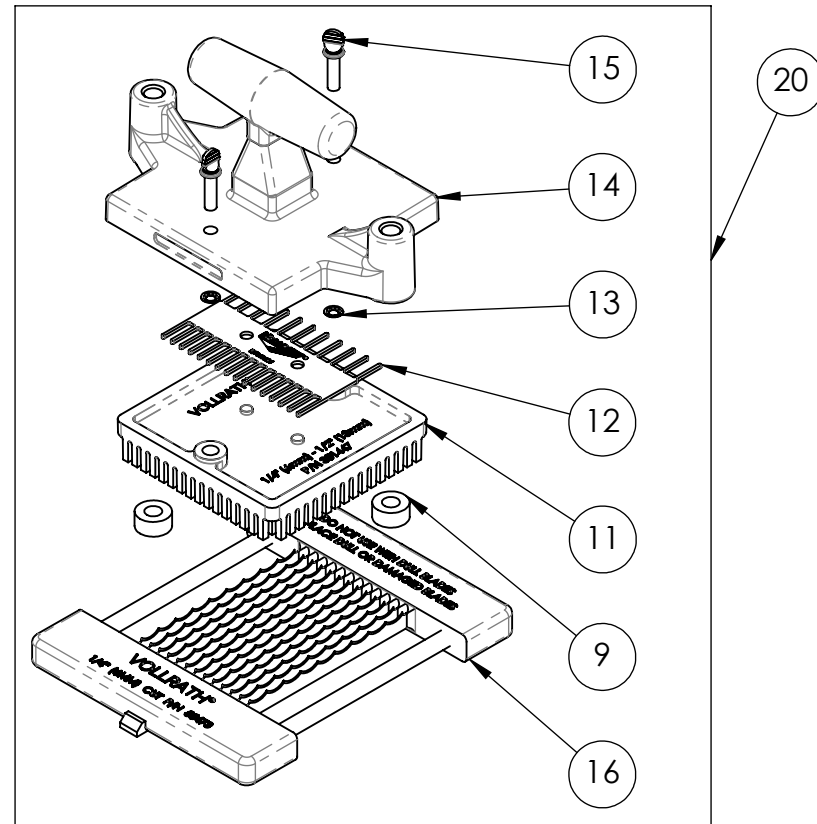




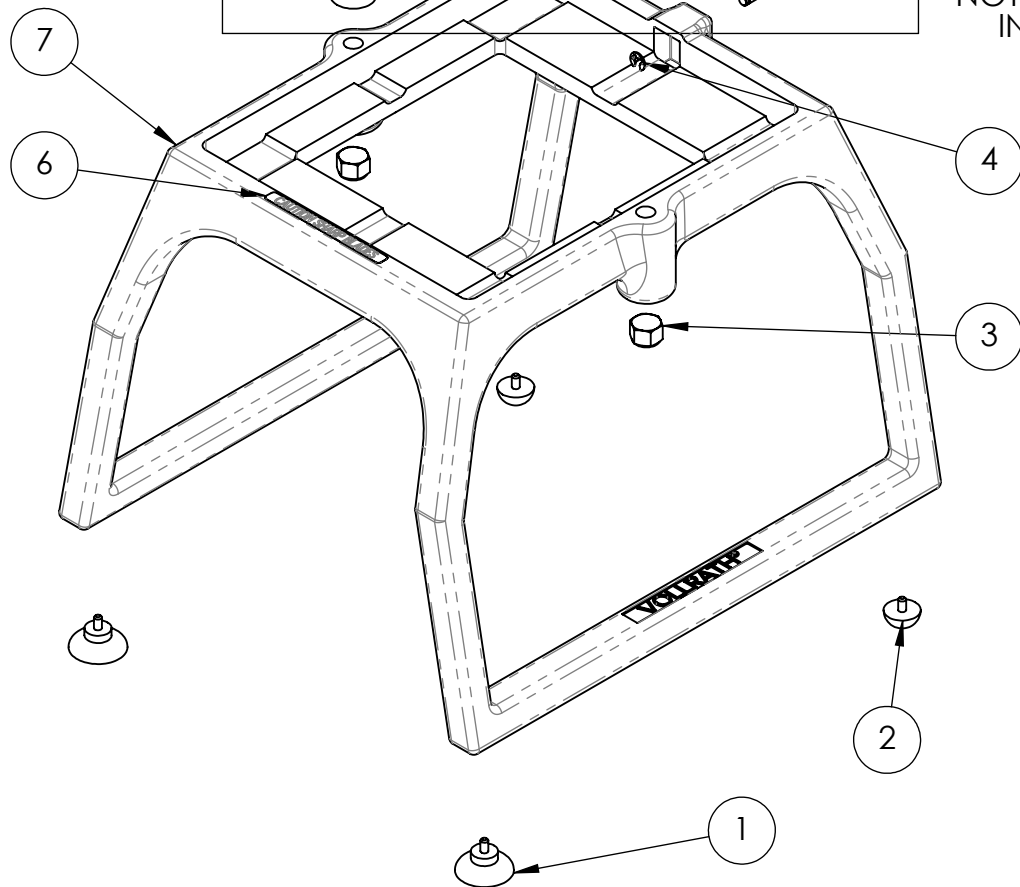
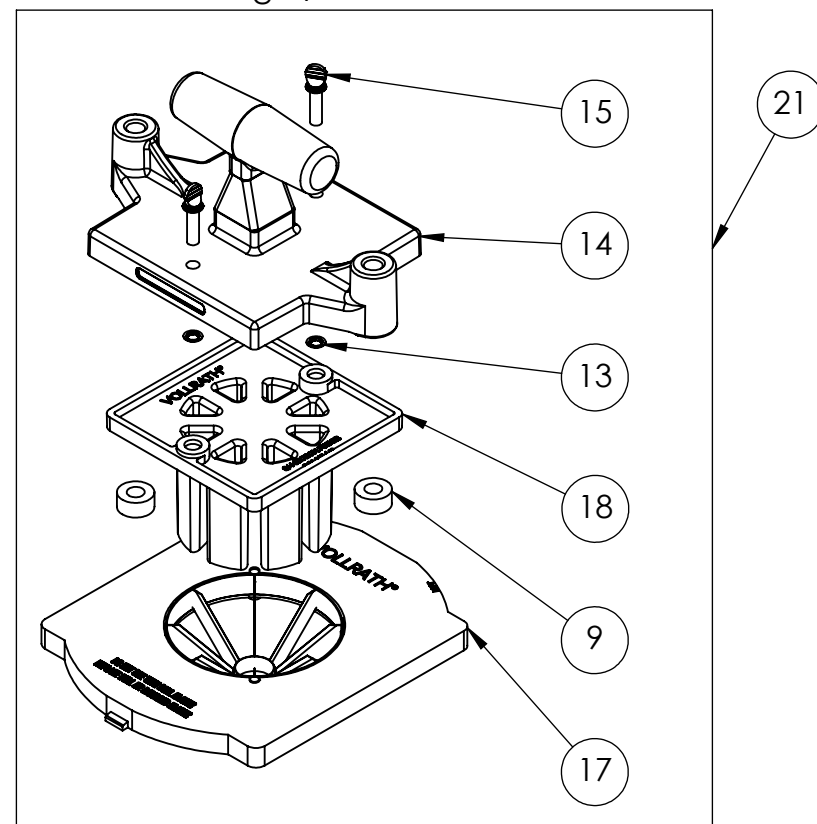
Dice Blade Kit



Slice Blade Kit



Wedger/Corer Blade Kit



Callout	Part No.	Description
1	2720009	Suction Feet (sold individually)
2	855522	Black Rubber Feet (sold individually)
3	855319	Nyloc Hex Nut 5/16-18
4	351454-1	External Retaining Ring
5	351455-1	Captive Frame Fastener
6	2802857	Caution Label
7	351457-1	Frame
8	7006252	Guide Rods, Ø 3/8"
9	2241001	Rubber Washer Ø3/8" ID
10	55470	1/4 (6.4) Dice Blade Pack
	55471	3/8 (9.5) Dice Blade Pack
	55472	1/2 (12.7) Dice Blade Pack
11	352200-2	1/4" & 1/2" Pusher Block
	351448-1	3/8" Pusher Block
12	59924	Cleaning Comb (For 351447 & 351448)
13	351442-1	Retaining Washer (sold individually)
14	351456-1	T-Handle
15	2014012	Thumb Screw 1/4-20 UNC x 3/4"
16	55473	1/4 (6.4) Slice Blade Pack
	55474	3/8 (9.5) Slice Blade Pack
	55475	1/2 (12.7) Slice Blade Pack
17	55476	4 Section Wedge Blade Pack
	55477	6 Section Wedge Blade Pack
	55478	8 Section Wedge Blade Pack
	55479	10 Section Wedge Blade Pack
	55480	12 Section Wedge Blade Pack
	55481	6 Section Core Blade Pack
18	55482	8 Section Core Blade Pack
	351449-1	8/4 Wedger Pusher Block
	351450-1	10 Section Pusher Block
	351451-1	12/6 Section Pusher Block
	351452-1	8/4 Core Pusher Block
Dice Blade Kit 19	351453-1	12/6 Core Pusher Block
	55483	1/4" Dice: T-Handle, Pusher Block, Blade Pack, and Hardware
	55484	3/8" Dice: T-Handle, Pusher Block, Blade Pack, and Hardware
Slice Blade kit 20	55485	1/2" Dice: T-Handle, Pusher Block, Blade Pack, and Hardware
	55486	1/4" Slice: T-Handle, Pusher Block, Blade Pack, and Hardware
	55487	3/8" Slice: T-Handle, Pusher Block, Blade Pack, and Hardware
Wedger/Corer Blade kit 21	55488	1/2" Slice: T-Handle, Pusher Block, Blade Pack, and Hardware
	55489	4 Sect. Wedge: T-Handle, Pusher Block, Blade Pack, and Hardware
	55490	6 Sect. Wedge: T-Handle, Pusher Block, Blade Pack, and Hardware
	55491	8 Sect. Wedge: T-Handle, Pusher Block, Blade Pack, and Hardware
	55492	10 Sect. Wedge: T-Handle, Pusher Block, Blade Pack, and Hardware
	55493	12 Sect. Wedge: T-Handle, Pusher Block, Blade Pack, and Hardware
	55494	6 Sect. Core: T-Handle, Pusher Block, Blade Pack, and Hardware
	55495	8 Sect. Core: T-Handle, Pusher Block, Blade Pack, and Hardware