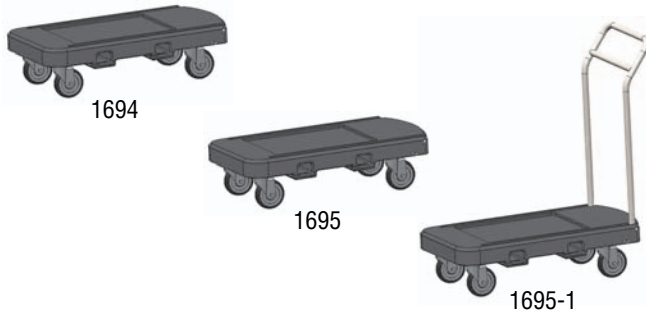




# Assembly and Use Instructions

## Flatbed Utility Dolly



Item No.	Description
1694	Flatbed Utility Dolly, gray with 5" casters and straps
1695	Flatbed Utility Dolly, gray with 6" pneumatic wheels and straps
1695-1	Flatbed Utility Dolly, gray with 6" pneumatic wheels, straps, and handle

**NOTICE:** Weight capacity 350 lbs.

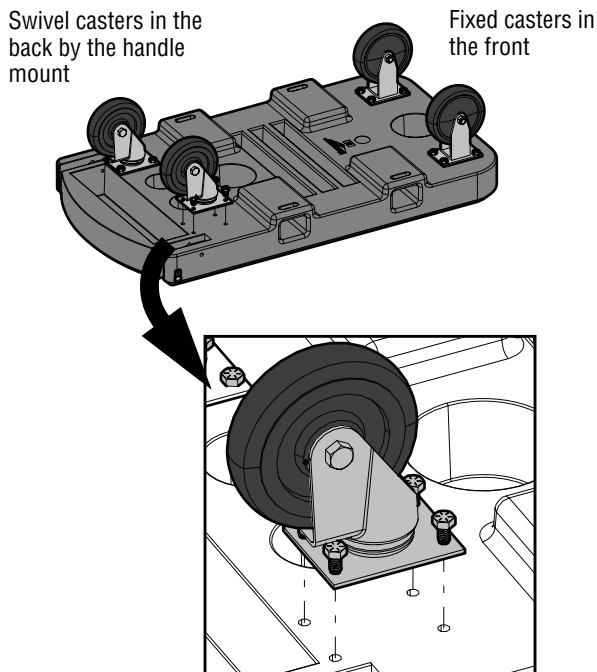
### ASSEMBLY

#### Attach Casters or Pneumatic Wheels

**NOTICE:** Use a wrench or torque wrench to tighten the hardware.

**NOTICE:** Inflate pneumatic tires to 50 psi.

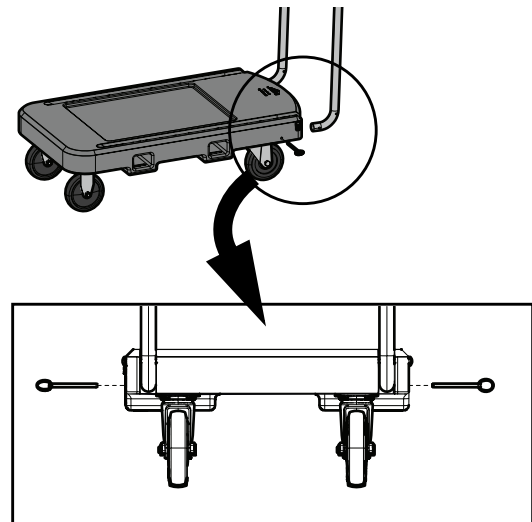
**NOTICE:** Attach the casters/wheels with brakes in the back position of the dolly (handle mounting end)



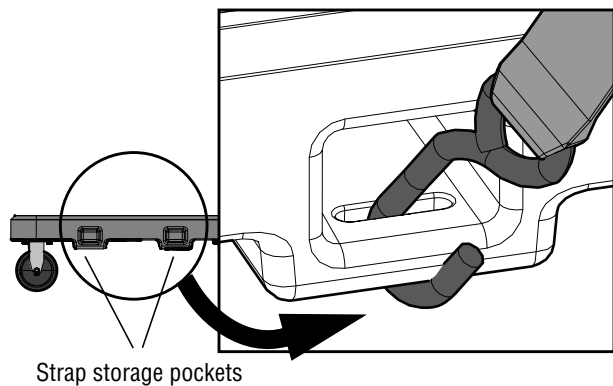
#### Attach Handle

The handle is included with item 1695 and is an optional accessory for items 1694 and 1695-1.

1. Insert the handle into the back side of the base in the upright position. To secure the handle:
  - a. Place a screw through the hole in the small rectangle end of the tethered cable.
  - b. Insert the screw into the top hole located on the left side of the base, above the back wheel. It should pass through the upper hole in the handle and be secured underneath the base with the provided lock nut. Repeat on the other side.
2. Insert the pin end of the tethered cable into the bottom hole to keep the handle in an upright position. Repeat on the other side.

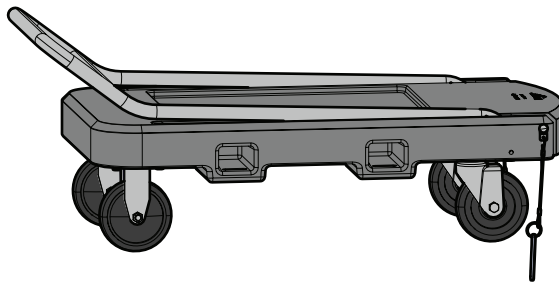


## Attach Strap



## Collapse Handle

1. Remove the pins from the bottom holes on both sides of the base.
2. Lower the handle into the slots located in the base.
3. Re-insert the pins into the bottom holes to secure the handle in the collapsed position.



[www.vollrathfoodservice.com](http://www.vollrathfoodservice.com)

### The Vollrath Company, L.L.C.

1236 North 18th Street  
Sheboygan, WI 53081-3201 U.S.A.  
Main Tel: 800.624.2051 or 920.457.4851  
Main Fax: 800.752.5620 or 920.459.6573  
Customer Service: 800.628.0830  
Canada Customer Service: 800.695.8560

### Technical Services

[techservicereps@vollrathco.com](mailto:techservicereps@vollrathco.com)  
Induction Products: 800.825.6036  
Countertop Warming Products: 800.354.1970  
Toasters: 800-309-2250  
All Other Products: 800.628.0832