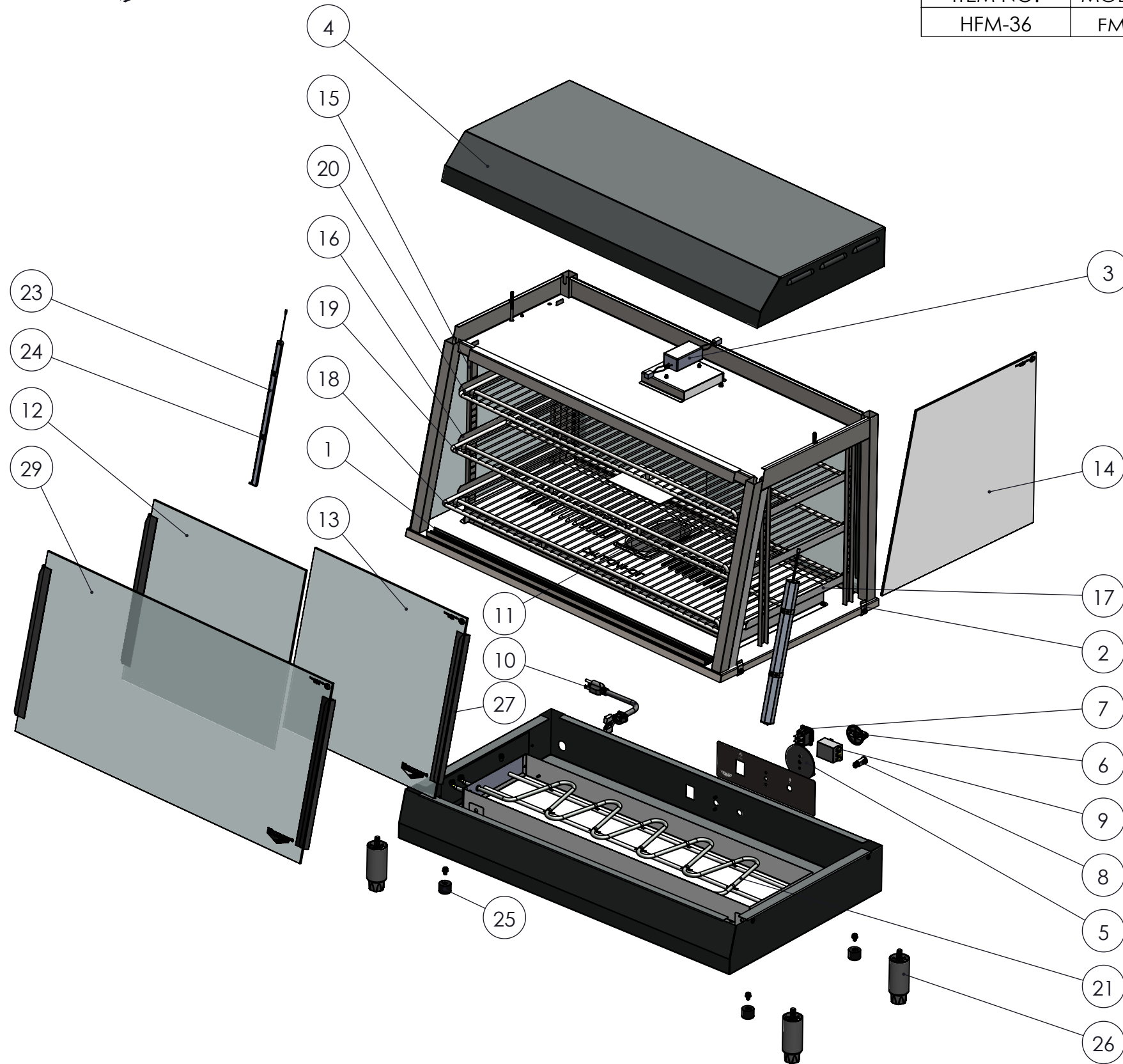


ITEM NO.	MODEL NO.	DESCRIPTION	VOLTS	WATTS	AMPS	PLUG
HFM-36	FMA7036	HOT FOOD MERCHANDISER HFM - 36"	120V	1440W	12A	5-15P



ITEM NO.	MODEL NO.	DESCRIPTION	VOLTS	WATTS	AMPS	PLUG
29	60078	FMA GLASS, SINGLE PANE, HFM-36				1
28	60076	DOOR LOCK W/KEY				2
27	353161-1	FMA DOOR TRIM SEAL				4
26	2351601-1	4 INCH LEG ADJUSTABLE FOOT				4
25	351775-1	FOOT, VBL, 1.00" OD, 20MM LG (SET OF 4)				1
24	353209-1	LED METAL STRIP				4
23	353219-1	LED ASSEMBLY 315MM				2
22	353200-1	HOT HOLDING THERMOMETER (NSF)				1
21	353182-1	FMA ELEMENT HFM-36				1
20	353172-1	FMA SHELF, SMALL, HFM-36				1
19	353171-1	FMA SHELF, M, HFM-36				1
18	353170-1	FMA SHELF, LARGE, HFM-36				1
17	353163-1	FMA HORIZONTAL SUPPORT, RIGHT				3
16	353162-1	FMA HORIZONTAL SUPPORT, LEFT				3
15	353147-1	FMA VERTICAL SHELF SUPPORT				4
14	353130-1	FMA SIDE GLASS				2
13	353198-1	FMA GLASS WITH LOGO, HFM-36				1
12	353157-1	FMA GLASS, HFM-36				3
11	90922	1/9 SIZE, SP3 PAN, 65MM, 2.5"				1
10	353906-1	HFM POWERCORD W/STRAIN RELIEF				1
9	353177-1	FMA THERMOSTAT				1
8	353176-1	PILOT LIGHT, 1 10V, WHITE				1
7	352773-1	RECT POWER SWITCH 120V DPST				1
6	351788-06-1	CONTROL KNOB				1
5	353907-1	HFM BEZEL W/OVERLAY				1
4	353142-1	FMA TOP COVER, HFM-36				1
3	353905-1	LED POWER SUPPLY 12V 1.25A				1
2	353115-1	FMA GLASS CLIPS				4
1	353119-1	FMA DOOR TRACK, BLACK HFM-36				2
SN	PART NUMBER	DESCRIPTION				QTY.