



Installation Instructions

Hinged Cover and Inset

INSTALLATION PROCEDURES

1. Set the hinged cover (A) over the inset (B). Press the hinged cover (A) so that the cover tabs (C) slide *inside* the inset wall (D). See Figure 1. Tabs may need to be pushed inward slightly to get a proper fit.
2. Push the hinged cover (A) downward so that it is in place on the inset (B) as shown in Figure 2. The cover tabs (C) must rest tightly on the inside of the inset walls (D) creating a snug fit.

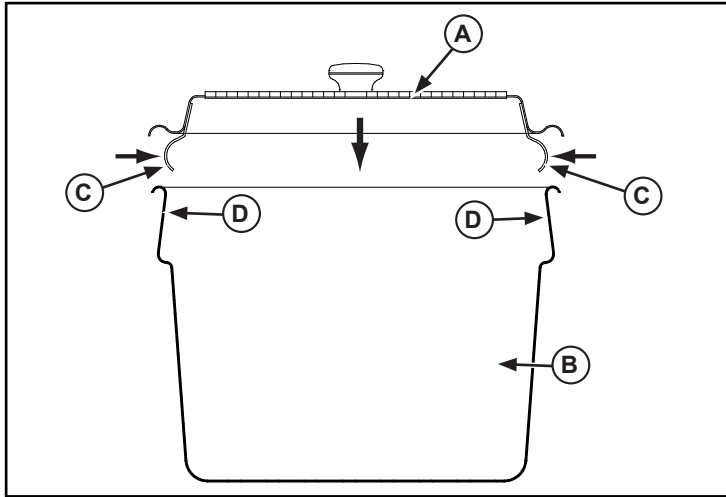


Figure 1. Hinged Cover and Inset Uninstalled

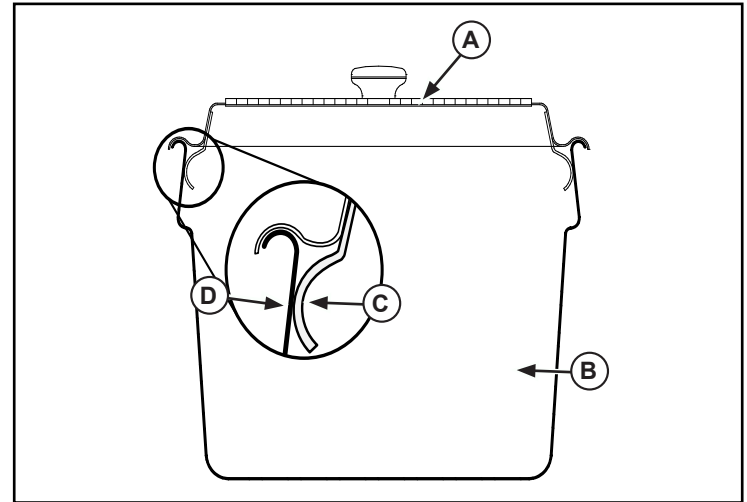


Figure 2. Hinged Cover and Inset Installed