



Assembly Instructions

Mobile Breath Guard with Mounting Posts



Item No.	Description
MB24MOUNT	Mobile Breath Guard, 24" (61 cm)
MB36MOUNT	Mobile Breath Guard, 36" (91 cm)
MB48MOUNT	Mobile Breath Guard, 48" (122 cm)
MB60MOUNT	Mobile Breath Guard, 60" (152 cm)

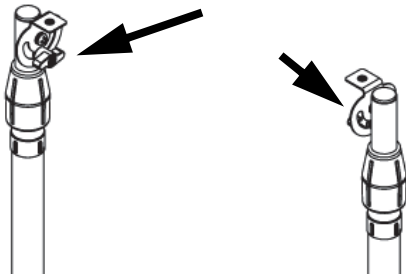
ASSEMBLY (2 PERSON)

Tools You Will Need

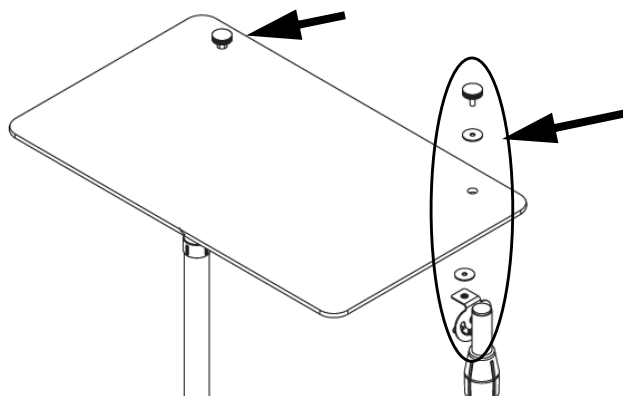
- Drill and drill bits
- Fasteners for mounting to countertop (Recommendation #10 stainless steel, round or hex head. Screw length and thread type will vary depending on specific application)

Before starting installation, verify that the mounting surface and substrate are capable of structurally supporting the breath guard and mounting screws.

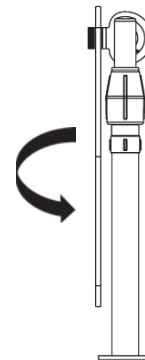
1. Slightly tighten the thumbscrews to steady the mounting brackets while the breath guard is being installed.



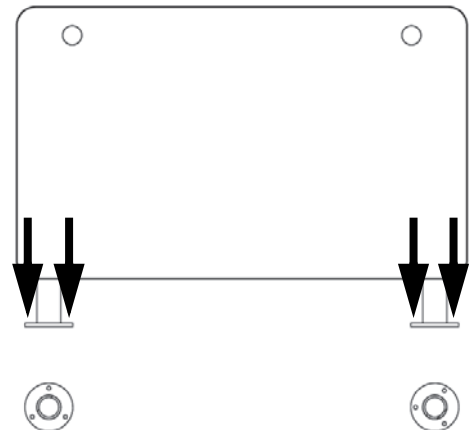
2. Peel the protective backing from the shield and install the breath guard to the uprights using the supplied washers and thumbscrews.



3. Position the shield in the vertical position for easier mounting.



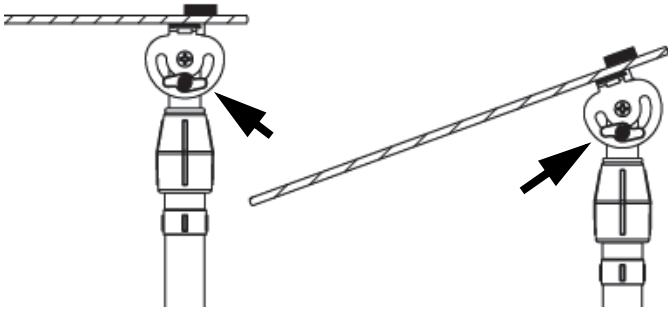
4. Align the mounting posts on the mounting surface. Make sure the posts are plumb using a level and mark the holes for pre-drilling.
5. Pre-drill holes for the appropriate fastener size.
6. Fasten the mounting posts to the mounting surface.



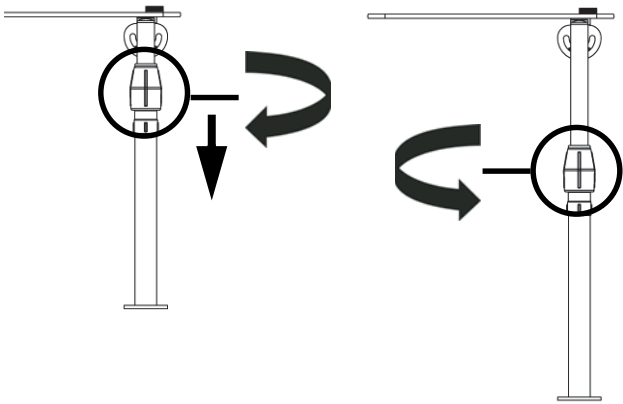
ADJUST THE HEIGHT OR ANGLE

Adjust the Angle

1. Loosen each thumbscrew to allow the breath guard to pivot in the bracket.
2. Position the breath guard at the desired angle.
3. Firmly tighten the thumbscrews to hold the breath guard at the new angle.



Adjust the Height



1. Rotate each collar until loose.
2. Slide the collars up or down to raise or lower the breath guard.
3. Tighten the collars to hold the breath guard at the new height.

CLEAN AND CARE

- Always use a clean soft lint free cloth or micro fiber cloths along with a cleaning solution or products specifically made for cleaning Plexiglas® and acrylic plastic.
- Clean Plexiglas and acrylic with a neutral cleaner such as a solution of warm water and a small amount of dish detergent.
- Recommended cleaners for Plexiglas® and acrylic include: Novus® #1, Plexiclear, and Brilliance.

What Not to Do

- **Do not** use cleaners containing ammonia, alcohol, acetone or dry cleaning products. Cleaners with these chemicals will damage Plexiglas®, acrylic and other plastics.
- **Do not** use paper towels, abrasive materials, scratching cleansers, razor blades, brushes, steel wool or scouring pads, such as Scotch Brite® pads.
- **Do not** use WD-40® or petroleum, industrial or commercial cleaning products.

Removing Minor Scratches

- Fine scratches can be removed with a specialized mild abrasive polish such as Novus® #2, or Novus® #3. Heavier scratches may require sanding and buffing. Hand sand with series of sandpapers with increasingly finer grits (250, 400, 600). Then use a buffing wheel and buffing compound.



www.vollrath.com

The Vollrath Company, L.L.C.

1236 North 18th Street
Sheboygan, WI 53081-3201 U.S.A.
Main Tel: 800.624.2051 or 920.457.4851
Main Fax: 800.752.5620 or 920.459.6573
Customer Service: 800.628.0830
Canada Customer Service: 800.695.8560

Technical Services

techservicereps@vollrathco.com
Induction Products: 800.825.6036
Countertop Warming Products: 800.354.1970
Toasters: 800-309-2250
All Other Products: 800.628.0832