

Mirage® Drop-in Induction Warmers and Rethermalizers

Thank you for purchasing this Vollrath® equipment. Before operating the equipment, read and familiarize yourself with the following operating and safety instructions. **SAVE THESE INSTRUCTIONS FOR FUTURE REFERENCE.** Save the original box and packaging. Use this packaging to ship the equipment if repairs are needed.

SAFETY PRECAUTIONS

To ensure safe operation, read the following statements and understand their meaning. This manual contains safety precautions which are explained below. Please read carefully.

WARNING

Warning is used to indicate the presence of a hazard that will or can cause severe personal injury or death.

CAUTION

Caution is used to indicate the presence of a hazard that will or can cause minor or major personal injury if the caution is ignored.

NOTICE: Notice is used to note information that is important but not hazard-related.

To reduce risk of injury or damage to the equipment:

- Plug only into grounded electrical outlets matching the nameplate rated voltage.
- Do not use an extension cord with this equipment. Do not plug this equipment into a power strip or multi-outlet power cord.
- As a precaution, persons using a pacemaker should stand back 12" (30 cm) from an operating equipment. Studies have shown that the induction element will not disrupt a pacemaker.
- Keep all credit cards, driver licenses and other items with a magnetic strip away from an operating equipment. The equipment's magnetic field will damage the information on these strips.
- Do not put water in the outer well of the warmer/rethermalizer. It is intended to run dry. Water will damage the equipment and void the warranty.
- Use only Vollrath induction-ready insets with this equipment. Failure to use Vollrath induction-ready insets may damage equipment and void the warranty.
- Do not spray controls or outside of equipment with liquids or cleaning agents.
- Unplug when not in use.
- Keep equipment and power cord away from open flames, electric burners or excessive heat.
- Do not operate unattended.
- Closely supervise equipment operating in public areas and/or around children.
- Do not operate if the equipment is damaged or is malfunctioning.



741101D

Item No.	Description	Plug
74701DW	7 Qt. Warmer	NEMA 5-15P
741101DW	11 Qt. Warmer	
74701D	7 Qt. Rethermalizer	
741101D	11 Qt. Rethermalizer	

Table of Contents

Unpack the Equipment	page 2
Clearance Requirements	page 2
Installation	page 3
Operation	page 4
Cleaning	page 5
Troubleshooting	page 6

FUNCTION AND PURPOSE

All models are intended to keep food at proper serving temperatures. For hot food holding, food must be at proper serving temperature when placed into the drop-in. The equipment is not designed to cook raw food.

800W models are intended to rethermalize refrigerated, previously cooked food and hold hot food at safe serving temperatures.

Use only Vollrath induction-ready insets (items 88184 or 88204). Failure to use Vollrath Induction-ready insets may damage equipment and void the warranty.

This equipment is not intended for household, industrial or laboratory use.

FCC STATEMENT

This equipment has been tested and found to comply with Part 18 of FCC Rules. These limits are designed to provide reasonable protection against harmful interference in a residential installation. This equipment generates, uses and can radiate radio frequency energy and, if not installed and used in accordance with the instructions, may cause harmful interference to radio communications. However, there is no guarantee that interference will not occur in a particular installation. If this equipment does cause harmful interference to radio or television reception, which can be determined by turning the equipment off and on, the user is encouraged to try to correct the interference by one or more of the following measures:

- Reorient or relocate the receiving antenna
 - Increase the separation between the equipment and receiver
 - Connect the equipment into an outlet on a circuit different from that to which the receiver is connected
 - Consult the dealer or an experienced radio/TV technician for help
- To assure continued compliance, any changes or modifications not expressly approved by the party Responsible for compliance could void the user's authority to operate this equipment.

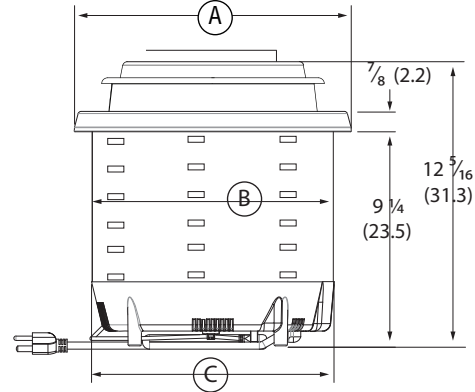
UNPACK THE EQUIPMENT

1. Remove all packing material and tape, as well as any protective plastic from the equipment.
2. Clean any glue residue left over from the plastic or tape.

CLEARANCE REQUIREMENTS

Drop-in

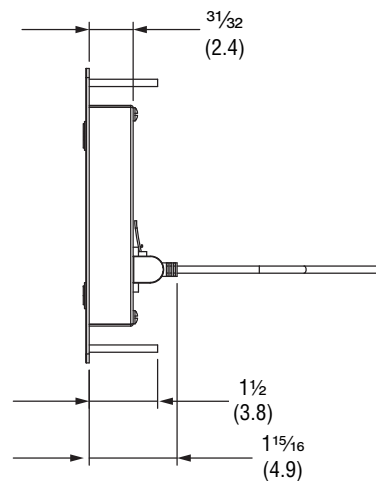
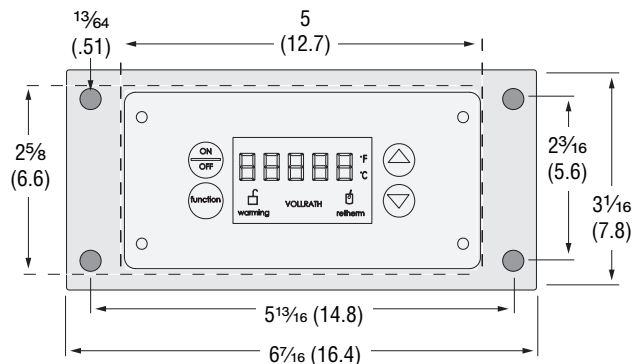
- Zero clearance between the sides of the drop-in and any surrounding surface.
- Do not block airflow to the bottom of the equipment. Sufficient airflow must be allowed. Blocking the airflow could cause the equipment to overheat.



	Product Dimensions	
	7 Qt.	11 Qt.
A	11 ⁷ / ₈ (30.3)	13 ⁷ / ₈ (35.3)
B	10 ³ / ₈ (26.4)	12 ³ / ₈ (31.4)
C	10 ⁷ / ₁₆ (26.5)	12 ⁷ / ₁₆ (31.2)

Control Box

- 4" (10 cm) behind the control box and any surrounding surface.



INSTALLATION

NOTICE: Installation must be performed by personal experienced with installing drop-in equipment in a commercial food service environment.

NOTICE: Failure to follow these directions could damage the product. Damage due to improper installation is NOT covered under warranty.

Cutout Openings

1. Choose a flat, level countertop for the mounting surface.
2. Measure the area for the cutouts.

Item	Cut-out Diameter
7 Quart	10 $\frac{5}{8}$ " (27 cm)
11 Quart	12 $\frac{5}{8}$ " (32.1 cm)
Control Box	See drawing on page 2.

3. Apply silicone sealant to the cutout areas to prevent moisture from penetrating the exposed surfaces.

Install the Gasket

NOTICE: Gasket installation is mandatory. Failure to install the gasket will void the warranty.

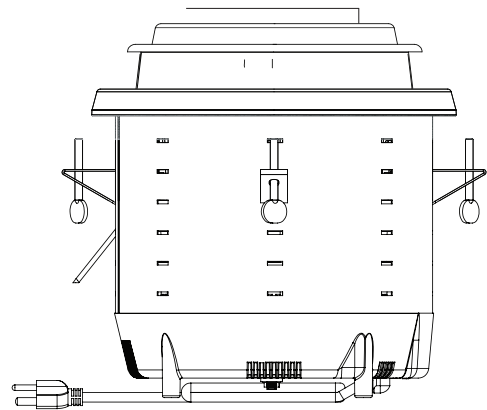
1. Turn the equipment so the bottom is facing up.
2. Set the equipment on a stable surface, such as a countertop.
3. Lubricate the gasket with a small amount of liquid dish soap or water.
4. Carefully press the groove of the gasket onto the underside edge of the rim. Take care to evenly press the gasket as you feed it onto the rim, without stretching it.



5. If needed, use a scissors to trim the gasket to the proper length.

Install the Drop-in

1. Insert the drop-in into the countertop as shown in the illustration below.



2. Insert the included four brackets with thumb screws into slots. Choose slots that position the thumbscrews close to the bottom of the countertop.
3. **HAND-TIGHTEN** the thumbscrews slowly and in an alternating pattern. Tighten just to resistance - approximately when the screw just touches the bottom of the countertop, then tighten an additional $\frac{1}{2}$ turn. Do not over tighten.

NOTICE: Do not use any hand tools when tightening the thumb screws on this product.

4. If desired, place a bead of silicone caulk between the gasket and the countertop.
5. Plug the power cord into a grounded electrical outlet with the matching nameplate rated voltage.

NOTICE: Using a voltage other than the nameplate rated voltage will cause damage to the unit. Incorrect voltage, modification to the power cord or electrical components can damage unit and will void the warranty.


Install the Control Box


1. Use the included four nuts and screws to secure the control box to the mounting surface.

NOTICE: Tighten the screws to a maximum of 35 in-lbs. Do NOT over-tighten.

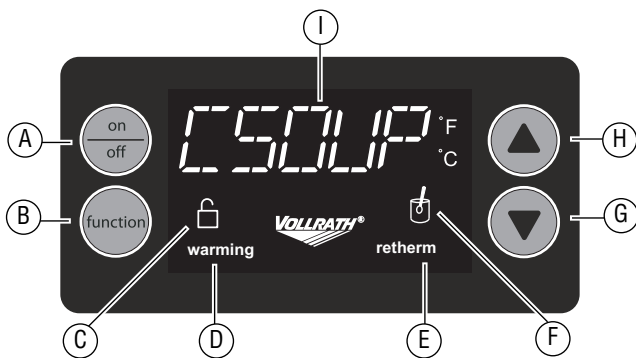
2. Plug the USB cable into the control box and into the bottom of the drop-in.

OPERATION

	WARNING Electrical Shock Hazard Keep water and other liquids from entering the inside of the equipment. Liquid inside the equipment could cause an electrical shock. Do not spray water or cleaning products. Liquid could contact the electrical components and cause a short circuit or an electrical shock.
--	--

	CAUTION Burn Hazard Do not touch hot food, liquid or heating surfaces while equipment is heating or operating. Hot food and liquids can burn skin. Induction heating surfaces heat rapidly.
--	--

NOTICE: Do not put water in the well. It is intended to run dry. Water will damage the equipment and void the warranty.



- A ON/OFF** button. Press to turn equipment on.
- B Function** button. Changes the function or mode of operation.
- C Lock** light. Illuminates when the control panel is locked.
- D Warming** light. Illuminates when the drop-in is operating in warming mode. Blinks while the food heats to temperature.
- E Retherm** light. (**800W Models Only**) Illuminates when the drop-in is operating in rethermalizing mode. Blinks while the food heats to temperature.
- F Stir** light. Flashes when the food should be stirred.
- G Arrow Down** button. Lowers the temperature setting.
- H Arrow Up** button. Raises the temperature setting.
- I Display** panel. Displays the preset program, temperature, or an error code, depending upon the mode selected.
- J Alarm** (not shown). Alarm beeps when there is a fault code.

Rethermalization (800W Models Only)

- Press the ON/OFF button to turn on the equipment.
- Fill the included Vollrath induction ready inset with cooked, chilled food. Place the inset into the equipment. Close the lid. For best results keep the lid closed while heating and serving.
- Press the function button to select the Retherm (Rethermalize) mode.
- While the food is rethermalizing, the retherm light will illuminate and display will show the target temperature of 165 °F (74 °C).
- The stir light may blink to indicate the food should be stirred for even heating. For best results stir the food often, approximately every 15 minutes.
- Monitor the food temperature closely for food safety. The United States Public Health Service recommends that hot food be held at a minimum of 140 °F (60 °C) to help prevent bacteria growth.

Note: This equipment monitors the temperature of the inset and automatically adjusts the output to maintain the user controlled set point. Temperatures displayed may vary from actual food temperatures depending on the type of food and stirring frequency. For best results adjust the settings as needed to achieve the desired temperature of each menu item. Some foods may require a higher setting to hold at the desired temperature.

- The display will blink if the inset is removed from the drop-in.
- After the inset has reached approximately 165 °F (74 °C), the equipment will switch to hot food holding mode. The warm light will illuminate and the display will show the default setting for Hot Food Holding.
- Follow the instructions for Hold Hot Food at Serving Temperature. Do not add cold food to rethermalized hot food.

Hot Food Holding (All Models)

Select either a temperature at which to hold hot food or one of the preset programs.

Preheat the Warmer

- Press the ON/OFF button to turn on the equipment.
- Place the empty Vollrath induction ready inset into the equipment.
- Press the arrow up or arrow down to select a temperature above 155 °F (68 °C). To switch to °F or °C, press the function button until the display shows your preference.
- Allow the equipment to heat for 5 minutes.

Hold Hot Food at Serving Temperature

- Fill the included Vollrath induction ready inset with pre-heated food, above 155 °F (68 °C). Place the inset into the equipment. Close the lid. For best results keep the lid closed while heating and serving.
- Select a holding temperature or preset program. Press the function button to select Warming or one of the preset programs: Soup, C Soup (Cream Soup), Chili, or Mac (Mac and Cheese).
- The warming light blinks until the inset heats to the set temperature.
- The stir light may blink to indicate the food should be stirred for even heating. For best results stir the food often, approximately every 15 minutes.
- Monitor the food temperature closely for food safety. The United States Public Health Service recommends that hot food be held at a minimum of 140 °F (60 °C) to help prevent bacteria growth.

Note: This equipment monitors the temperature of the inset and automatically adjusts the output to maintain the user controlled set point. Temperatures displayed may vary from actual food temperatures depending on the type of food and stirring frequency. For best results adjust the settings as needed to achieve the desired temperature of each menu item. Some foods may require a higher setting to hold at the desired temperature.

- The display will blink if the inset is removed from the drop-in.

Lock the Control Panel (optional)

Lock

At the same time, press and hold the function button and the arrow down button until the lock light appears.

Unlock

At the same time, press and hold the function button and the arrow down button until the unlock light appears.

CLEANING



WARNING

Electrical Shock Hazard

Keep water and other liquids from entering the inside of the equipment. Liquid inside the equipment could cause an electrical shock. Do not spray water or cleaning products. Liquid could contact the electrical components and cause a short circuit or an electrical shock.



CAUTION

Burn Hazard

Hot surfaces and food can burn skin. Allow the hot surfaces to cool before handling. Do not drop or spill water onto the cooking surface as it can spray or splatter.

To maintain the appearance and increase the service life, clean this equipment daily.

What you will need:

- Three soft clean cloths, one each for cleaning, rinsing and drying
- Mild dish washing detergent
- Clean warm water

NOTICE: Failure to follow these cleaning instructions may lead to product damage that will not be covered under warranty.

1. Unplug the equipment and let it completely cool.
2. Use a soft cloth moistened with warm water and a mild dish washing detergent to clean the well and the rim.

NOTICE: Do NOT use cleaning solutions that contain chlorine or bleach ingredients. Use of solutions with these ingredients will damage the well and will void the warranty.

3. Use the second clean soft clean soft cloth moistened with clean warm water to wipe all detergent from the well and the rim.
4. Use the third soft clean cloth to dry the well and the rim.

NOTICE: Failure to thoroughly remove all detergent or thoroughly dry the equipment may result in damage to the equipment.

5. The stainless steel insert is dishwasher safe.

TROUBLESHOOTING

Problem	Might be Caused By	Course of Action
The equipment is on, but not heating and the display is flashing.	The inset is not a Vollrath induction-ready inset or is the wrong size Vollrath induction-ready inset.	Replace the inset with the correct size Vollrath induction-ready inset for the equipment. Vollrath induction-ready insets are stamped "Induction Ready." Reset the equipment by turning it OFF and then ON.
	Trouble with the electrical connection is causing low input voltage.	Make sure the plug is fully inserted into an electrical outlet that matches the rating on the equipment's nameplate. Make sure the electrical circuit is not overloaded.
Alarm is sounding.	An error.	See the Display Messages in the table below.
The equipment suddenly stopped working.	The equipment may be too close to an external heat source or the air intake may be restricted.	Relocate the equipment away from external heat sources. Clear any obstructions to the air intake. Contact Vollrath Technical Services if the problem persists.
	The inset may be too hot.	Remove the inset. Allow the inset and equipment to cool before resuming use. Contact Vollrath Technical Services if the problem persists.

Display Message	Cause	Course of Action
Bad Pan	The inset is not a Vollrath induction-ready inset or is the wrong size Vollrath induction-ready inset.	Replace the inset with the correct size Vollrath induction-ready inset for the equipment. Vollrath induction-ready insets are stamped "Induction Ready." Reset the equipment by turning it OFF and then ON.
HOT	If the equipment is turned off, this is normal. It indicates the equipment is still hot.	Allow the equipment to cool (about 5-10 minutes) before cleaning.
	If the equipment is in use, the inset may be too hot.	Remove the inset. Allow the inset and equipment to cool before resuming use. Do not place excessively hot food into the inset. Do not place excessively hot inset into the equipment. Contact Vollrath Technical Services if the problem persists.
F-2	The inset may be too hot.	Remove the inset. Allow the inset and equipment to cool before resuming use. Do not place excessively hot food into the inset. Do not place excessively hot inset into the equipment. Contact Vollrath Technical Services if the problem persists.
F-1	The equipment may have overheated.	Relocate the equipment away from external heat sources. Clear any obstructions to the air intake. Contact Vollrath Technical Services if the problem persists.
F-8		
Other error codes	Internal error.	Contact Vollrath Technical Services.

This page intentionally left blank.

SERVICE AND REPAIR

Serviceable parts are available on vollrathfoodservice.com.

To avoid serious injury or damage, never attempt to repair the unit or replace a damaged power cord yourself. Do not send units directly to The Vollrath Company LLC. Please contact Vollrath Technical Services for instructions.

When contacting Vollrath Technical Services, please be ready with the item number, model number (if applicable), serial number, and proof of purchase showing the date the unit was purchased.

WARRANTY STATEMENT FOR THE VOLLRATH CO. L.L.C.

This warranty does not apply to products purchased for personal, family or household use, and The Vollrath Company LLC does not offer a written warranty to purchasers for such uses.

The Vollrath Company LLC warrants the products it manufactures or distributes against defects in materials and workmanship as specifically described in our full warranty statement. In all cases, the warranty runs from the date of the end user's original purchase date found on the receipt. Any damages from improper use, abuse, modification or damage resulting from improper packaging during return shipment for warranty repair will not be covered under warranty.

For complete warranty information, product registration and new product announcement, visit vollrathfoodservice.com.



vollrathfoodservice.com

The Vollrath Company, L.L.C.

1236 North 18th Street
Sheboygan, WI 53081-3201 U.S.A. Main Tel:
800.624.2051 or 920.457.4851 Main Fax:
800.752.5620 or 920.459.6573 Customer
Service: 800.628.0830 Canada Customer
Service: 800.695.8560

© 2024 The Vollrath Company L.L.C.

Technical Services

techservicereps@vollrathco.com
Induction Products: 800.825.6036 Countertop
Warming Products: 800.354.1970 Toasters:
800-309-2250
All Other Products: 800.628.0832

Part 2350219-1 ml

7/10/24

Réchauds et appareils de remise en température à induction encastrables Mirage®

Merci d'avoir acheté cet appareil Vollrath. Avant de l'utiliser, lisez et familiarisez-vous avec le mode d'emploi et les consignes d'utilisation qui suivent. CONSERVEZ CES INSTRUCTIONS POUR RÉFÉRENCE ULTÉRIEURE. Conservez l'emballage et le carton d'origine. L'emballage devra être réutilisé pour expédier l'appareil si une réparation est nécessaire.

CONSIGNES DE SÉCURITÉ

Pour garantir un fonctionnement sûr, lisez les avertissements suivants et comprenez leur signification. Ce manuel contient des consignes de sécurité, présentées ci-dessous. Lisez-les attentivement.

AVERTISSEMENT

Un avertissement permet d'indiquer la présence d'un danger qui causera ou peut causer des blessures personnelles graves ou la mort.

ATTENTION

Une mise en garde indique la présence d'un danger qui causera ou pourra causer des blessures mineures ou majeures si elle est ignorée.

AVIS: Un avis met en évidence des informations qui sont importantes mais sans rapport avec un danger.

Pour réduire le risque de blessures et d'endommagement de l'appareil :

- Branchez l'appareil uniquement sur une prise de terre correspondant à la tension nominale de la plaque signalétique.
- N'utilisez pas de rallonge électrique avec cet appareil. Ne branchez pas cet appareil sur une barrette d'alimentation ou un cordon d'alimentation à prises multiples.
- Par mesure de précaution, les personnes ayant un stimulateur cardiaque devront se tenir à 12" (30 cm) minimum de l'appareil en marche. Des études ont montré que l'élément d'induction ne perturbera pas les stimulateurs cardiaques.
- Maintenez toutes les cartes de crédit, permis de conduire et autres articles à bande magnétique à l'écart de l'appareil en marche. Le champ magnétique de l'appareil endommagera les informations présentes sur ces bandes.
- Ne mettez pas d'eau dans le compartiment extérieur du réchaud/ appareil de remise en température. Il est censé fonctionner à sec. L'eau abîmera l'appareil et annulera la garantie.
- Utilisez uniquement des bacs encastrables spécial induction Vollrath avec cet appareil sous peine d'abîmer l'appareil et d'annuler la garantie.
- Ne vaporisez pas les commandes ou l'extérieur de l'appareil avec des liquides ou des produits nettoyants.
- Débranchez l'appareil lorsque vous ne comptez pas l'utiliser.
- Tenez l'appareil et son cordon d'alimentation à l'écart des flammes nues, des brûleurs électriques ou d'une chaleur excessive.
- N'utilisez pas l'appareil sans surveillance.
- Surveillez de près les appareils utilisés dans des lieux publics et/ou à proximité d'enfants.
- "N'utilisez pas l'appareil s'il a été endommagé ou s'il fonctionne mal.



Article	Contenance	Fiche
74701DW	7 Qt. (6.6 L) Réchaud	NEMA 5-15P
741101DW	11 Qt (10.4 L) Réchaud	
74701D	7 Qt. (6.6 L) Appareil de remise en température	
741101D	11 Qt (10.4 L) Appareil de remise en température	

Table des matières

Déballage de l'appareil	page 2
Dégagements minimums	page 2
Installation	page 3
Installation.....	page 4
Nettoyage	page 5
Dépannage	page 5

FONCTION ET OBJET

Tous les modèles sont destinés à garder les aliments aux températures de service adéquates. Pour le maintien au chaud d'aliments chauds, ces derniers doivent être à la température de service correcte lorsqu'ils sont placés dans l'appareil. L'appareil n'est pas destiné à la cuisson d'aliments crus.

Les modèles 800W sont destinés à la remise en température de plats cuisinés réfrigérés et au maintien d'aliments chauds à des températures de service sûres.

Utilisez uniquement des bacs encastrables « spécial induction » Vollrath (réf. 88184 ou 88204) sous peine d'abîmer l'appareil et d'annuler la garantie.

Cet appareil n'est pas prévu pour une utilisation ménagère, industrielle ou en laboratoire.

DÉCLARATION FCC

Cet équipement a été testé et jugé conforme à la partie 18 des règles de la FCC. Ces limites sont destinées à assurer une protection raisonnable contre les interférences nuisibles dans une installation résidentielle. Cet appareil produit, utilise et peut émettre des radiofréquences et, s'il n'est pas installé et utilisé conformément aux instructions, il risque de causer des interférences nuisibles aux communications radio. Il est cependant toujours possible que des interférences se produisent dans le cadre d'une installation particulière. Si cet appareil produit des interférences nuisibles à la réception des programmes de radio ou de télévision, ce qui peut être déterminé par la mise hors puis sous tension de l'appareil, l'utilisateur est encouragé à mettre en œuvre une ou plusieurs des mesures suivantes pour remédier à ces interférences :

- Réorienter ou déplacer l'antenne de réception
- Augmenter la distance entre l'appareil et le récepteur
- Brancher l'appareil sur une prise d'un circuit différent de celui sur lequel le récepteur est branché
- Prendre conseil auprès du revendeur ou d'un technicien radio/TV expérimenté

Pour assurer la conformité constante, tout changement ou modification non expressément approuvé par la partie responsable des mesures de conformité peut amener l'utilisateur à se voir interdire l'usage de l'appareil.

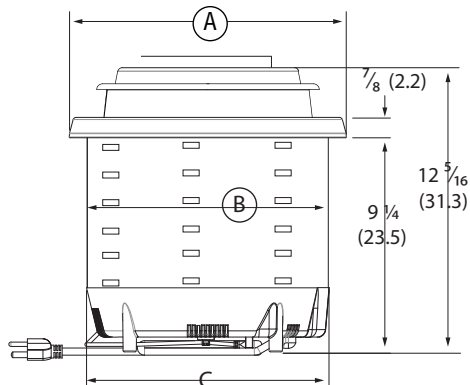
DÉBALLAGE DE L'APPAREIL

1. Enlevez tout le matériel d'emballage et le ruban adhésif, ainsi que le plastique de protection.
2. Nettoyez les résidus de colle du plastique ou du ruban adhésif.

DÉGAGEMENTS MINIMUMS

Appareil encastrable

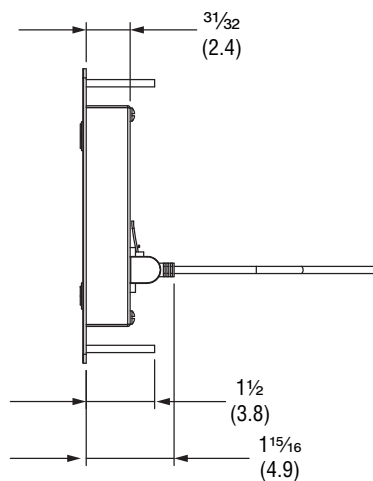
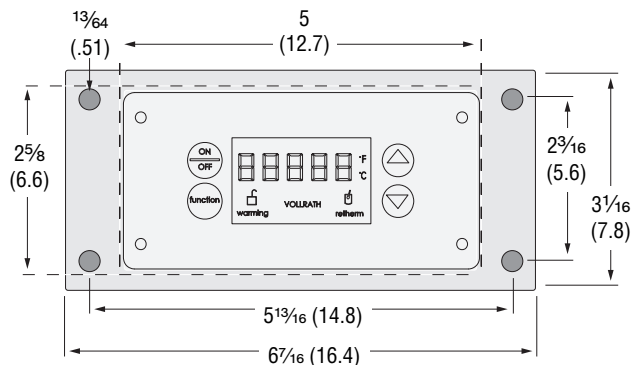
- Dégagement zéro entre les parois de l'appareil encastrable et toute surface environnante.
- Ne bloquez pas la circulation d'air en bas de l'appareil. Une circulation d'air suffisante est indispensable. Une circulation d'air insuffisante risque d'entraîner la surchauffe de l'appareil.



	Dimensions du produit	
	7 Qt. (6.6 L)	11 Qt. (10.4 L)
A	11 ⁷ / ₈ (30.3)	13 ⁷ / ₈ (35.3)
B	10 ³ / ₈ (26.4)	12 ³ / ₈ (31.4)
C	10 ⁷ / ₁₆ (26.5)	12 ⁷ / ₁₆ (31.2)

Boîte de commande

- Il doit y avoir 4 po (10 cm) derrière la boîte de commande et toute surface avoisinante.



INSTALLATION

AVIS: Installation must be performed by personal experienced with installing drop-in equipment in a commercial food service environment.

AVIS : Respectez ces instructions sous peine d'endommager le produit. Les dommages dus à une installation impropre ne sont PAS couverts par la garantie.

Ouvertures de découpe

1. Choisissez un comptoir plat et horizontal pour la surface de montage.
2. Mesurez la surface pour les découpes.

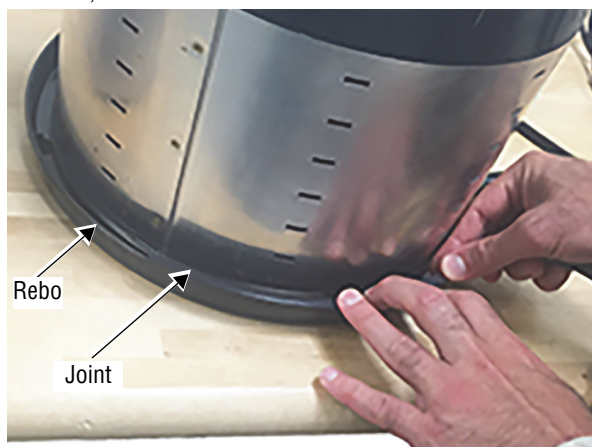
Article	Diamètre de découpe
7 Quart (6.6 L)	10 $\frac{5}{8}$ " (27 cm)
11 Quart (10.4 L)	12 $\frac{5}{8}$ " (32.1 cm)
Boîte de commande	Voir le dessin à la page 2.

3. Appliquez un agent d'étanchéité à base de silicone aux zones de découpe pour éviter que de l'humidité ne pénètre dans les surfaces exposées.

Installation du joint

AVIS: L'installation du joint est obligatoire. Installez le joint sous peine d'annulation de la garantie.

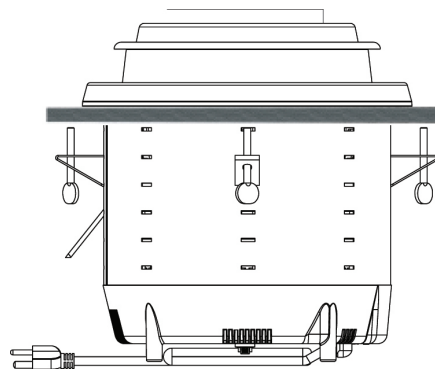
1. Mettez l'appareil à l'envers.
2. Placez l'appareil sur une surface stable (comptoir, par ex.).
3. Lubrifiez le joint avec une petite quantité de liquide-vaisselle ou d'eau.
4. Pressez avec précaution la rainure du joint sur le bord inférieur du rebord. Veillez à appuyer uniformément sur le joint en le montant sur le rebord, sans tirer dessus.



5. Si nécessaire, utilisez des ciseaux pour couper le joint à la bonne longueur.

Installation de l'appareil encastrable

1. Insérez l'appareil encastrable dans le comptoir comme illustré ci-dessous.



2. Insérez les quatre supports à vis à oreilles inclus dans les fentes. Choisissez les fentes qui positionnent les vis à oreilles près du bas du comptoir.
3. **SERREZ À LA MAIN** les vis à oreilles lentement et en alternant entre les vis. Serrez jusqu'à ce qu'une résistance soit perceptible - à peu près lorsque la vis touche à peine le bas du comptoir, puis donnez un demi-tour supplémentaire. Ne serrez pas trop.

AVIS : N'utilisez aucun outil à main pour serrer les vis à oreilles sur ce produit.

4. Au besoin, appliquez un cordon de mastic au silicone entre le joint et le comptoir.
5. Branchez le cordon d'alimentation sur une prise de terre indiquant la tension nominale de la plaque signalétique.

AVIS : L'utilisation d'une tension différente de la tension nominale indiquée sur la plaque signalétique endommagera l'appareil. Une tension incorrecte, la modification du cordon d'alimentation ou les composants électriques risquent d'endommager l'appareil et d'annuler la garantie.


Installation de la boîte de commande


1. Utilisez les quatre écrous et vis inclus pour fixer la boîte de commande sur la surface de montage.

AVIS : Serrez les vis à un maximum de 35 -in-lbs. NE PAS trop serrer.

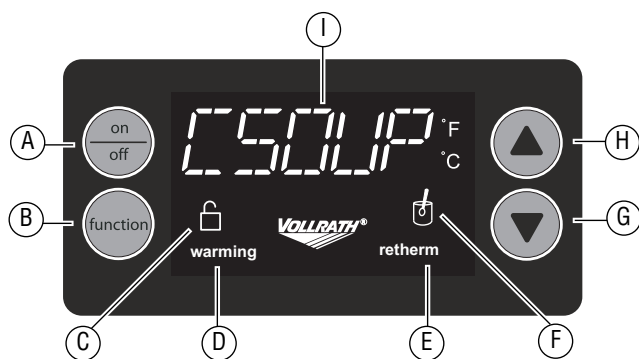
2. Branchez le câble USB sur la boîte de commande et en bas de l'appareil encastrable.

MODE D'EMPLOI

	AVERTISSEMENT
Risque d'électrocution	
Empêchez toute infiltration d'eau et d'autres liquides dans l'appareil. L'infiltration de liquide dans l'appareil risque de causer une électrocution. Ne vaporisez pas d'eau ou de produits nettoyants. Du liquide risque d'entrer en contact avec les composants électriques et de causer un court-circuit ou une décharge électrique.	

	ATTENTION
Risque de brûlure	
Ne touchez pas les aliments chauds, le liquide ou les surfaces de chauffe quand l'appareil chauffe ou fonctionne.	
Les aliments, la vapeur et les liquides chauds peuvent causer des brûlures. Les inducteurs chauffent rapidement.	

AVIS: Ne mettez pas d'eau dans le compartiment. Il est censé fonctionner à sec. L'eau abîmera l'appareil et annulera la garantie.



- A Bouton Marche/Arrêt.** Appuyez sur ce bouton pour allumer l'appareil.
- B Bouton Fonction.** Permet de modifier la fonction ou le mode de fonctionnement.
- C Voyant Cadenas.** S'allume quand le panneau de commande est verrouillé.
- D Voyant Préchauffage.** S'allume quand l'appareil fonctionne en mode Préchauffage. Clignote quand le produit alimentaire chauffe à température.
- E Voyant Remise en température. (Modèles 800W seulement)** S'allume quand l'appareil fonctionne en mode Remise en température. Clignote quand le produit alimentaire chauffe à température.
- F Voyant Mélanger.** Clignote lorsque le produit alimentaire doit être mélangé.
- G Bouton flèche vers le bas.** Permet de baisser le réglage de température.
- H Bouton flèche vers le haut.** Permet de monter le réglage de température.
- I Panneau d'affichage.** Affiche le programme prédéfini, la température ou un code d'erreur, selon le mode sélectionné.
- J Alarme** (pas en photo). L'alarme bippe en présence d'un code d'erreur.

Remise en température (800W 800W seulement)

1. Appuyez sur le bouton ON/OFF pour allumer l'appareil.
2. Remplissez le bac encastrable « spécial induction » Vollrath inclus avec un plat cuisiné réfrigéré. Placez le bac encastrable dans l'appareil. Fermez le couvercle. Pour les meilleurs résultats, gardez le couvercle fermé en chauffant et servant.
3. Appuyez sur le bouton Fonction pour sélectionner le mode Remise en température.

4. Pendant que les aliments sont portés à température, le voyant Remise en température s'allume et l'affichage indique la température cible (74 °F).
5. Le voyant Mélanger peut clignoter pour indiquer que les aliments doivent être mélangés pour un chauffage uniforme. Pour les meilleurs résultats, mélangez souvent les aliments, toutes les 15 minutes environ.
6. Surveillez de près la température des aliments pour maintenir leur sécurité. Les services d'hygiène publique des États-Unis préconisent le maintien des aliments chauds à 60 °C (140 °F) minimum pour éviter la prolifération des bactéries.

Remarque : Cet appareil surveille la température du bac encastrable et se met automatiquement sous et hors tension pour atteindre et maintenir la température de consigne. Les relevés de température de différents types d'aliments peuvent varier selon le produit alimentaire et le point du cycle auquel sa température est mesurée. Pour les meilleurs résultats, testez et ajustez les réglages pour vos plats et mélangez souvent les aliments. Certains types d'aliments pourront exiger un réglage supérieur pour atteindre la température de consigne.

7. L'affichage clignote si le bac encastrable est enlevé de l'appareil.
8. Une fois le bac encastrable à 74 °C environ, l'appareil passe en mode Maintien au chaud. Le voyant Chaud s'allume et l'affichage indique la température de consigne par défaut pour le maintien au chaud des aliments.
9. Suivez les instructions de maintien au chaud des aliments à la température de service. N'ajoutez pas d'aliments froids à des aliments remis en température.

Maintien au chaud de plats chauds (Tous modèles)

Sélectionnez une température de maintien au chaud des aliments.

Préchauffage du réchaud

1. Appuyez sur le bouton ON/OFF pour allumer l'appareil.
2. Placez le bac encastrable « spécial induction » de Vollrath dans l'appareil.
3. Appuyez sur la flèche vers le haut ou sur la flèche vers le bas pour sélectionner une température supérieure à 68 °C.
4. Laissez chauffer l'appareil pendant 5 minutes.

Maintien d'aliments chauds à la température de service

1. Remplissez le bac encastrable « spécial induction » de Vollrath inclus avec des aliments préchauffés à plus de 68 °C. Placez le bac encastrable dans l'appareil. Fermez le couvercle. Pour les meilleurs résultats, gardez le couvercle fermé en chauffant et servant.
2. Sélectionnez une température de maintien au chaud. Appuyez sur la touche « fonction » pour sélectionner « Warming ».
3. Le voyant de préchauffage clignote jusqu'à ce que le bac encastrable atteigne la température de consigne.
4. Le voyant Mélanger peut clignoter pour indiquer que les aliments doivent être mélangés pour un chauffage uniforme. Pour les meilleurs résultats, mélangez souvent les aliments, toutes les 15 minutes environ.
5. Surveillez de près la température des aliments pour maintenir leur sécurité. Les services d'hygiène publique des États-Unis préconisent le maintien des aliments chauds à 60 °C (140 °F) minimum pour éviter la prolifération des bactéries.

Remarque : Cet appareil surveille la température du bac encastrable et se met automatiquement sous et hors tension pour atteindre et maintenir la température de consigne. Les relevés de température de différents types d'aliments peuvent varier selon le produit alimentaire et le point du cycle auquel sa température est mesurée. Pour les meilleurs résultats, testez et ajustez les réglages pour vos plats et mélangez souvent les aliments. Certains types d'aliments pourront exiger un réglage supérieur pour atteindre la température de consigne.

6. L'affichage clignote si le bac encastrable est enlevé de l'appareil. Verrouillage du panneau de commande (facultatif)

Verrouillage du panneau de commande (facultatif)


Verrouillage


Appuyez simultanément sur le bouton Fonction et sur la flèche vers le bas jusqu'à ce que le voyant Cadenas s'allume.

Déverrouillage

Appuyez simultanément sur le bouton Fonction et sur la flèche vers le bas jusqu'à ce que le voyant Cadenas ouvert s'allume.

NETTOYAGE

	AVERTISSEMENT Risque d'électrocution Empêchez toute infiltration d'eau et d'autres liquides dans l'appareil. L'infiltration de liquide dans l'appareil risque de causer une électrocution. Ne vaporisez pas d'eau ou de produits nettoyants. Du liquide risque d'entrer en contact avec les composants électriques et de causer un court-circuit ou une décharge électrique.
---	--

	ATTENTION Risque de brûlure Les surfaces et aliments chauds peuvent causer des brûlures. Laissez refroidir les surfaces chaudes avant manipulation. Ne faites pas tomber de l'eau sur la surface de cuisson sous peine de projections de graisse.
---	---

Pour maintenir l'apparence et augmenter la durée de service, nettoyez chaque jour l'appareil.

Matériel nécessaire :

- Trois chiffons doux propres, un pour nettoyer, un pour rincer et un pour essuyer
- Liquide-vaisselle doux
- Eau chaude propre

AVIS : **Suivez ces instructions de nettoyage sous peine d'endommager le produit et d'annuler la garantie.**

1. Débranchez l'appareil et laissez-le refroidir complètement.
2. Utilisez un chiffon doux humecté d'eau chaude et un liquide-vaisselle doux pour nettoyer le compartiment et le rebord.
AVIS : **N'utilisez PAS de solutions nettoyantes contenant du chlore ou de l'eau de Javel. L'emploi de telles solutions endommagera le compartiment et annulera la garantie.**
3. Utilisez le deuxième chiffon doux propre humecté d'eau chaude propre pour enlever tout le détergent du compartiment et du rebord.
4. Utilisez le troisième chiffon pour essuyer le compartiment et le rebord.
AVIS : **Enlevez tout le détergent et essuyez bien l'appareil sous peine de dommages.**
5. Le bac encastrable en acier inoxydable passe au lave-vaisselle.

DÉPANNAGE

Problème	Cause possible	Mesure corrective
L'appareil est sous tension, mais il ne chauffe pas et l'affichage clignote.	Le bac encastrable n'est pas un bac encastrable « spécial induction » de Vollrath ou est un bac encastrable « spécial induction » de Vollrath de la mauvaise taille.	Remplacez-le par un bac encastrable spécial induction de Vollrath de la taille correcte pour l'appareil. Les bacs encastrables « spécial induction » de Vollrath sont estampillés « Induction Ready ». Réinitialisez l'appareil en le mettant hors tension, puis de nouveau sous tension.
	Un problème de branchement électrique cause une basse tension d'entrée.	Assurez-vous que la fiche est insérée à fond dans une prise électrique correspondant aux valeurs nominales indiquées sur la plaque signalétique de l'appareil. Assurez-vous que le circuit électrique n'est pas surchargé.
L'alarme retentit.	Erreur.	Référez-vous aux messages affichés dans le tableau ci-dessous.
L'appareil s'est subitement arrêté.	L'appareil est peut-être trop près d'une source de chaleur externe ou la prise d'air est peut-être bouchée.	Éloignez l'appareil de toute source de chaleur externe. Écartez tout ce qui peut boucher la prise d'air. Contactez le support technique Vollrath si le problème persiste.
	Le bac encastrable est peut-être trop chaud.	Enlevez le bac encastrable. Laissez-le complètement refroidir de même que l'appareil avant de réutiliser. Contactez le support technique Vollrath si le problème persiste.

Message affiché	Cause	Mesure corrective
Bad Pan	Le bac encastrable n'est pas un bac encastrable « spécial induction » de Vollrath ou est un bac encastrable « spécial induction » de Vollrath de la mauvaise taille.	Remplacez-le par un bac encastrable « spécial induction » de Vollrath de la taille correcte pour l'appareil. Les bacs encastrables spécial induction de Vollrath sont estampillés « Induction Ready ». Réinitialisez l'appareil en le mettant hors tension, puis de nouveau sous tension.
HOT	Si l'appareil est hors tension, ceci est normal. Indique que l'appareil est encore chaud.	Laissez complètement refroidir l'appareil (5-10 minutes) avant de le nettoyer.
	Si l'appareil est en cours d'utilisation, le bac encastrable est peut-être trop chaud.	Enlevez le bac encastrable. Laissez-le complètement refroidir de même que l'appareil avant de réutiliser. Ne mettez pas d'aliments trop chauds dans le bac encastrable. Ne mettez pas un bac encastrable trop chaud dans l'appareil. Contactez le support technique Vollrath si le problème persiste.
F-2	Le bac encastrable est peut-être trop chaud.	Enlevez le bac encastrable. Laissez-le complètement refroidir de même que l'appareil avant de réutiliser. Ne mettez pas d'aliments trop chauds dans le bac encastrable. Ne mettez pas un bac encastrable trop chaud dans l'appareil. Contactez le support technique Vollrath si le problème persiste.
F-1	L'appareil a peut-être surchauffé.	Éloignez l'appareil de toute source de chaleur externe. Écartez tout ce qui peut boucher la prise d'air. Contactez le support technique Vollrath si le problème persiste.
F-8		
Autres codes d'erreur	Erreur interne.	Contactez le support technique Vollrath.

Page vierge.

AV ET RÉPARATIONS

Des pièces détachées sont disponibles sur vollrathfoodservice.com.

Pour éviter toute blessure grave ou tout dommage sévère, n'essayez jamais de réparer l'appareil ou de remplacer vous-même un cordon d'alimentation endommagé. N'envoyez aucun appareil directement à la Vollrath Company LLC. Pour des instructions, contactez les services techniques de Vollrath.

Lorsque vous contacterez les services techniques de Vollrath, tenez-vous prêt à fournir le numéro d'article, le numéro de modèle (s'il y a lieu), le numéro de série et le justificatif d'achat indiquant la date d'achat de l'appareil.

GARANTIE DE VOLLRATH CO. L.L.C.

Cette garantie ne s'applique pas aux produits achetés pour un usage personnel, familial ou ménager, et la Vollrath Company LLC ne propose aucune garantie écrite aux acheteurs pour de telles utilisations.

The Vollrath Company L.L.C. garantit que les produits qu'elle fabrique et distribue seront dépourvus de vices de matériaux et de malfaçons, comme indiqué dans notre déclaration complète de garantie. Dans tous les cas, la garantie entre en vigueur à la date d'achat par l'utilisateur initial indiquée sur le reçu. Tous les dommages subis lors d'une utilisation impropre ou abusive, ou résultant d'une modification ou d'un emballage inadapté lors d'un renvoi du produit pour une réparation sous garantie ne seront pas couverts par la garantie.

Pour des informations complètes sur la garantie, l'enregistrement des produits et l'annonce de nouveaux produits, consultez vollrathfoodservice.com.

VOLLRATH

vollrathfoodservice.com

The Vollrath Company, L.L.C.

1236 North 18th Street
Sheboygan, WI 53081-3201 États-Unis Standard :
800.624.2051 ou 920.457.4851 Télécopieur :
800.752.5620 ou 920.459.6573 Service clientèle :
800.628.0830
Service clientèle Canada : 800.695.8560

Services techniques

techservicereps@vollrathco.com Produits à
induction : 800.825.6036 Réchauds de
comptoir : 800.354.1970 Tous les autres
produits : 800.628.0832

Calentadores y retermalizadores de inducción empotrados Mirage®

Gracias por comprar este equipo Vollrath. Antes de usar el equipo, lea y familiarícese con las siguientes instrucciones de operación y seguridad. CONSERVE ESTAS INSTRUCCIONES COMO REFERENCIA PARA EL FUTURO. Conserve la caja y embalado originales. Deberá utilizarlos para devolver el equipo en caso de que requiera reparaciones.

PRECAUCIONES DE SEGURIDAD

Para garantizar una operación segura, lea las siguientes afirmaciones y comprenda su significado. Este manual contiene precauciones de seguridad que se explican a continuación. Léalas atentamente.

ADVERTENCIA

Advertencia se usa para indicar la presencia de un peligro que provocará o puede provocar lesiones graves o letales.

PRECAUCIÓN

Precaución se usa para indicar la presencia de un peligro que provocará o puede provocar lesiones leves o importantes si se ignora el aviso.

AVISO: Aviso se usa para señalar información importante no relacionada con peligros.

Para disminuir el riesgo de lesiones personales o daños al equipo:

- Enchúfelo sólo en tomacorrientes con puesta a tierra cuyo voltaje nominal corresponda al indicado en la placa identificatoria.
- No use un cable de extensión con este equipo. No enchufe este equipo en una regleta eléctrica ni cable de múltiples tomas.
- Como medida de precaución, las personas que usen marcapasos deben permanecer a 12" (30 cm) del equipo funcionando. Los estudios han demostrado que los elementos de inducción no alteran los marcapasos.
- Mantenga lejos de un equipo funcionando todas las tarjetas de crédito, licencias de conducir y demás artículos con banda magnética. El campo magnético del equipo dañará la información contenida en las bandas.
- No coloque agua en el receptáculo externo del calentador/retermalizador. Está diseñado para funcionar en seco. El agua dañará el equipo y anulará la garantía.
- Use solamente insertos aptos para inducción Vollrath con este equipo. No usar los insertos correctos puede dañar el equipo y anular la garantía.
- No rocíe con líquidos ni agentes de limpieza los controles ni la parte externa del equipo.
- Desenchúfelo cuando no esté en uso.
- Mantenga el equipo y el cable eléctrico lejos de llamas expuestas, quemadores eléctricos o calor excesivo.
- No deje el equipo operando solo.
- Supervise de cerca los equipos en áreas públicas y/o cerca de niños.
- No opere el equipo si se ha dañado o si funciona defectuosamente.



Núm. de artículo	Capacidad	Amp.
74701DW	7 Qt. (6.6 L) Calentador	NEMA 5-15P
741101DW	11 Qt. (10.4 L) Calentador	
74701D	7 Qt. (6.6 L) Rethermalizer	
741101D	11 Qt. (10.4 L) Retermalizador	

Contenido

Desembalado del equipo.....	página 2
Requisitos de espacio	página 2
Instalación	página 3
Operación	página 4
Limpieza	página 5
Solución de problemas.....	página 6

FUNCIÓN Y PROPÓSITO

Todos los modelos están diseñados con el propósito de mantener los alimentos a temperaturas de servicio apropiadas. Para conservar la comida caliente, ésta debe estar a una temperatura de servicio correcta al colocarla en el empotrado. El equipo no está diseñado para cocinar alimentos crudos.

Los modelos de 800 W están diseñados para retermalizar alimentos refrigerados previamente cocidos y mantener la comida caliente a temperaturas de servicio seguras.

Use solamente insertos aptos para inducción (artículos 88184 o 88204). No usar los insertos incorrectos puede dañar el equipo y anular la garantía.

Este equipo no está diseñado para uso doméstico, industrial ni de laboratorio.

DECLARACIÓN DE LA FCC

Este equipo ha sido probado y se ha encontrado que cumple las reglas del apartado 18 de la FCC. Estos límites están diseñados para proporcionar protección razonable contra interferencia dañina en una instalación residencial. Este equipo genera, usa y puede irradiar energía de radiofrecuencia y, si no se instala ni utiliza de conformidad con las instrucciones, puede causar interferencias dañinas a las comunicaciones radiales. Sin embargo, no se garantiza que no ocurran interferencias en una instalación específica. Si este equipo causa interferencias perjudiciales en la recepción de radio o televisión, lo cual se puede determinar al apagar y encender el equipo, se recomienda al usuario probar la interferencia adoptando una de las siguientes medidas:

- Reoriente o reubique la antena receptora.
- Aumente la separación entre el equipo y el receptor
- Conecte el equipo en un tomacorriente distinto del circuito en el cual está conectado el receptor
- Consulte al distribuidor o solicite ayuda a un técnico de radio/TV experimentado

Para garantizar el cumplimiento continuado, todo cambio o modificaciones no aprobados expresamente por la parte responsable del cumplimiento podrían anular la autoridad del usuario para operar el equipo.

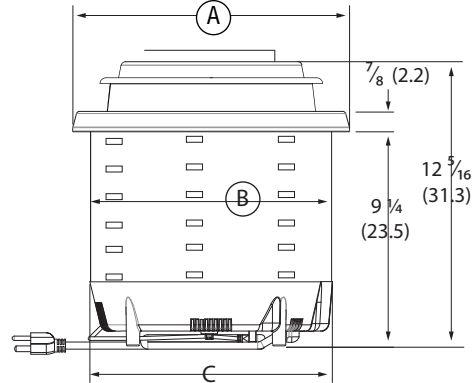
DESEMBALADO DEL EQUIPO

1. Retire del equipo todo el material y cinta de embalado, así como el plástico protector.
2. Limpie todo residuo adhesivo que haya quedado del plástico o la cinta.

REQUISITOS DE ESPACIO

Empotrado

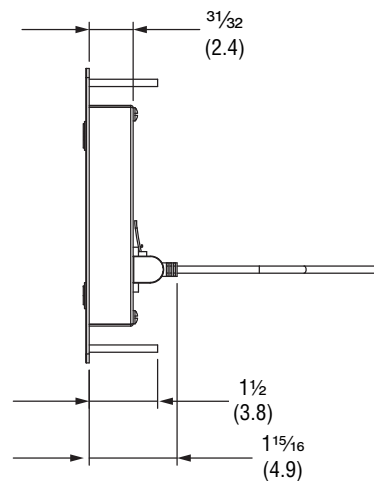
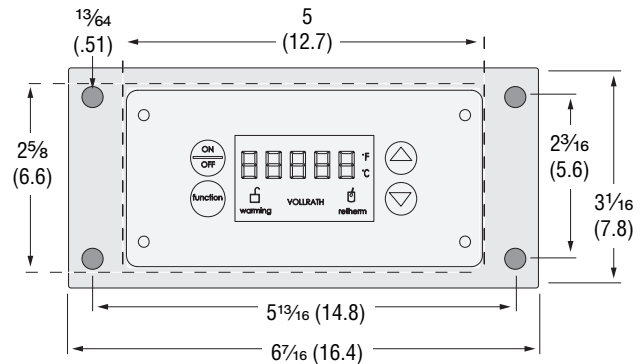
- Distanciado nulo entre los lados del empotrado y toda superficie circundante.
- No bloquee el flujo de aire en la parte inferior del equipo. Se debe contar con suficiente circulación de aire. Bloquear el flujo de aire podría sobrecalentar el equipo.



	Dimensiones del producto	
	7 Qt.	11 Qt.
A	11 ⁷ / ₈ (30.3)	13 ⁷ / ₈ (35.3)
B	10 ³ / ₈ (26.4)	12 ³ / ₈ (31.4)
C	10 ⁷ / ₁₆ (26.5)	12 ⁷ / ₁₆ (31.2)

Caja de control

- 4" (10 cm) detrás de la caja de control y toda superficie circundante.



INSTALACIÓN

AVISO: Installation must be performed by personal experienced with installing drop-in equipment in a commercial food service environment.

AVISO: No seguir estas indicaciones podría dañar el producto. La garantía NO cubre daños debidos a instalación incorrecta.

Aberturas de corte

1. Escoja un mostrador plano y nivelado para la superficie de montaje.
2. Mida el área para los cortes.

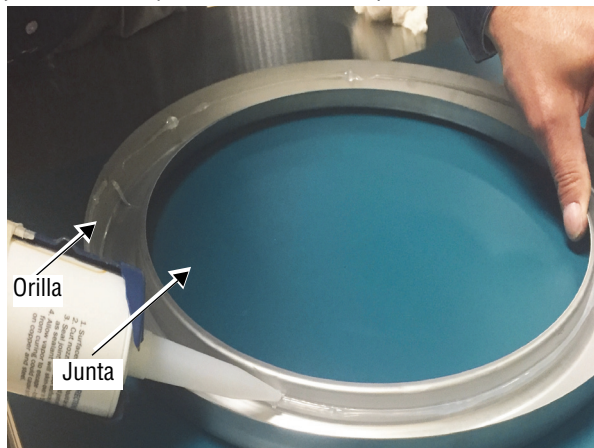
Artículo	Diámetro de corte
7 Quart (6.6 L)	10 $\frac{5}{8}$ "(27 cm)
11 Quart (10.4 L)	12 $\frac{5}{8}$ "(32.1 cm)
Caja de control	Consulte el diagrama en la página 2.

3. Aplique sellador de silicona en las áreas de corte para evitar que la humedad penetre en las superficies expuestas.

Instale la junta

AVISO: La instalación de la junta es obligatoria. No instalarla anulará la garantía.

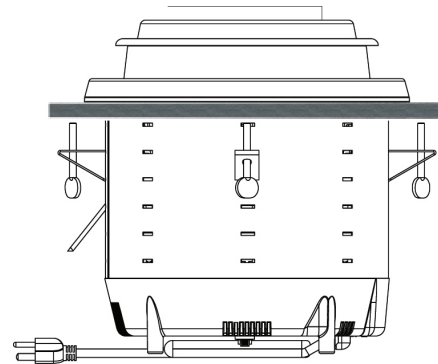
1. Invierta el equipo de modo que la parte inferior quede orientada hacia arriba.
2. Coloque el equipo en una superficie plana como un mostrador.
3. Lubrique la junta con una pequeña cantidad de jabón o detergente líquido para loza.
4. Presione cuidadosamente la ranura de la junta sobre el borde inferior de la orilla. Tenga cuidado de presionar uniformemente la junta a medida que la va introduciendo por la orilla, sin estirarla.



5. Si es necesario, use tijeras para recortar la junta a la longitud adecuada.

Instale el empotrado

1. Inserte el empotrado en el mostrador como se muestra en la ilustración de abajo.



2. Introduzca en las ranuras los cuatro soportes con tornillos de mano incluidos. Escoja las ranuras que ubiquen los tornillos cerca de la parte inferior del mostrador
3. **APIRTE LENTAMENTE A MANO** los tornillos en un patrón alterno. Apriételos hasta sentir resistencia - aproximadamente cuando el tornillo apenas toque la parte inferior del mostrador, luego apriételos dándoles un giro adicional. No los apriete excesivamente.

AVISO: No use ninguna herramienta manual al apretar los tornillos en este producto.

4. Si lo desea, coloque una línea de sellador de silicona entre la junta y el mostrador.
5. Enchufe el cable eléctrico en un tomacorriente con puesta a tierra cuyo voltaje nominal sea el indicado en la placa identificatoria.

AVISO: Usar un voltaje distinto del indicado en la placa identificatoria dañará la unidad. Usar un voltaje incorrecto, o modificar el cable eléctrico o los componentes electrónicos puede dañar la unidad e invalidará la garantía.

Instale la caja de control

1. Use las cuatro tuercas y tornillos incluidos para fijar la caja de control a la superficie de montaje.

AVISO: Apriete los tornillos hasta una máxima de 35 -in-lbs. NO apriete excesivamente.

2. Conecte el cable USB en la caja de control y en la parte inferior del empotrado.

OPERACIÓN



ADVERTENCIA

Evite el peligro de descarga eléctrica

Evite que ingrese agua o cualquier otro tipo de líquido al interior del equipo, ya que ello podría causar una descarga eléctrica. No lo rocíe con agua ni productos de limpieza. El líquido podría hacer contacto con los componentes eléctricos y causar un cortocircuito o una descarga eléctrica.



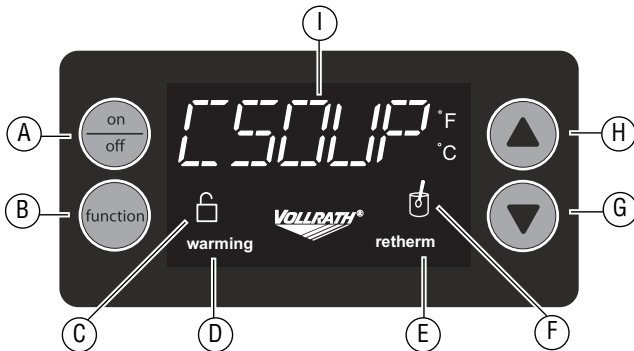
PRECAUCIÓN

Peligro de quemaduras

No toque la comida y líquidos calientes ni las superficies de calentamiento cuando el equipo esté calentando o funcionando.

La comida y líquidos calientes pueden quemar la piel. Las superficies de cocción de las estufas de inducción se calientan muy rápidamente.

AVISO: No coloque agua en el receptáculo. Está diseñado para funcionar en seco. El agua dañará el equipo y anulará la garantía.



- A Botón de encendido/apagado (ON/OFF).** Púlselo para encender el equipo.
- B Botón de función (Function).** Cambia la función o el modo de operación.
- C Luz de bloqueo.** Se ilumina cuando se bloquea el panel de control.
- D Luz de calentamiento (Warming).** Se ilumina cuando el empotrado está en el modo de calentamiento. Parpadea mientras la comida se calienta a temperatura.
- E Luz de retermalización (Retherm).** (Modelos de 800 W solamente) Se ilumina cuando el empotrado está en el modo de retermalización. Parpadea mientras la comida se calienta a temperatura.
- F Luz de revolver Destella** cuando se debe revolver la comida.
- G Botón de flecha descendente.** Disminuye el ajuste de la temperatura.
- H Botón de flecha ascendente.** Aumenta el ajuste de la temperatura.
- I Visor.** Muestra el programa prefijado, la temperatura o un código de error, dependiendo del modo seleccionado.
- J Alarma** (no se muestra). La alarma suena cuando hay un código de falla.

Retermalización (800W solamente)

1. Pulse el botón de encendido/apagado para encender el equipo.
2. Llene el inserto Vollrath apto para inducción con comida cocinada y enfriada. Coloque el inserto en el equipo. Cierre la tapa. Para obtener los mejores resultados mantenga la tapa cerrada mientras calienta y sirve.
3. Pulse el botón de función para seleccionar el modo de retermalizar (Retherm).
4. Mientras la comida se retermaliza, la luz de retermalización se enciende y el visor muestra la temperatura meta de 74 °C.
5. La luz de revolver puede parpadear para indicar que la comida debe revolverse a fin de distribuir uniformemente el calor. Para obtener los

mejores resultados, revuelva la comida a menudo, aproximadamente cada 15 minutos.

6. Supervise estrechamente la temperatura de la comida para garantizar la seguridad de la misma. El Servicio de Salud Pública de los Estados Unidos (United States Public Health Service) recomienda mantener los alimentos a un mínimo de 140 °F (60 °C) para prevenir el crecimiento de bacterias.

Nota: Este equipo supervisa la temperatura del inserto y se enciende y apaga automáticamente para lograr y mantener el ajuste seleccionado. Las lecturas de temperatura de diferentes tipos de alimentos pueden variar en función del alimento y el punto durante el ciclo en el que se mide la temperatura del mismo. Para obtener mejores resultados, pruebe y ajuste la configuración de los menús y revuelva la comida con frecuencia. Algunos tipos de alimentos pueden requerir un ajuste más alto para alcanzar la temperatura deseada.

7. El visor parpadeará si se retira el inserto del equipo.
8. Una vez que el inserto ha alcanzado aproximadamente 74 °C, el equipo cambiará al modo de conservación de comida caliente. La luz de calentamiento se ilumina y el visor muestra el ajuste predeterminado de conservación de comida caliente.
9. Siga las instrucciones para mantener la comida caliente a temperatura de servicio. No agregue alimentos fríos a la comida caliente retermalizada.

Conservación de alimentos calientes (todos los modelos)

Seleccione una temperatura a la que mantendrá la comida caliente.

Precaliente el calentador

1. Pulse el botón de encendido/apagado para encender el equipo.
2. Coloque el inserto Vollrath apto para inducción vacío en el equipo.
3. Pulse el botón de flecha ascendente o descendente para seleccionar una temperatura superior a 68 °C.
4. Deje que el equipo se caliente durante 5 minutos.

Conserve la comida caliente a temperatura de servicio

1. Llene el inserto Vollrath apto para inducción incluido con comida precalentada, a una temperatura superior a 68 °C. Coloque el inserto en el equipo. Cierre la tapa. Para obtener los mejores resultados mantenga la tapa cerrada mientras calienta y sirve.
2. Seleccione una temperatura de conservación. Pulse el botón de función para seleccionar el calentamiento.
3. La luz de calentamiento parpadea hasta que el inserto se calienta a la temperatura fijada.
4. La luz de revolver puede parpadear para indicar que la comida debe revolverse a fin de distribuir uniformemente el calor. Para obtener los mejores resultados, revuelva la comida a menudo, aproximadamente cada 15 minutos.
5. Supervise estrechamente la temperatura de la comida para garantizar la seguridad de la misma. El Servicio de Salud Pública de los Estados Unidos (United States Public Health Service) recomienda mantener los alimentos a un mínimo de 140 °F (60 °C) para prevenir el crecimiento de bacterias.

Nota: Este equipo supervisa la temperatura del inserto y se enciende y apaga automáticamente para lograr y mantener el ajuste seleccionado. Las lecturas de temperatura de diferentes tipos de alimentos pueden variar en función del alimento y el punto durante el ciclo en el que se mide la temperatura del mismo. Para obtener mejores resultados, pruebe y ajuste la configuración de los menús y revuelva la comida con frecuencia. Algunos tipos de alimentos pueden requerir un ajuste más alto para alcanzar la temperatura deseada.

6. El visor parpadeará si se retira el inserto del empotrado.

Bloquee el panel de control (opcional)

Bloqueo

Simultáneamente mantenga pulsado el botón de función y el botón de flecha descendente hasta que aparezca la luz de bloqueo.

Desbloqueo

Simultáneamente mantenga pulsado el botón de función y el botón de flecha descendente hasta que aparezca la luz de desbloqueo.

LIMPIEZA



ADVERTENCIA

Evite el peligro de descarga eléctrica

Evite que ingrese agua o cualquier otro tipo de líquido al interior del equipo, ya que ello podría causar una descarga eléctrica. No lo rocíe con agua ni productos de limpieza. El líquido podría hacer contacto con los componentes eléctricos y causar un cortocircuito o una descarga eléctrica.



PRECAUCIÓN

Peligro de quemaduras

Las superficies y comidas calientes pueden quemar la piel. Deje que las superficies calientes se enfríen antes de manipularlas. No vierta ni derrame agua sobre la superficie de cocción pues ello provocará salpicaduras.

Para conservar su aspecto hermoso y prolongar su vida útil, limpie diariamente el equipo.

Lo que necesita:

- Tres paños suaves y limpios, uno para limpiar, otro para enjuagar y el último para secar
- Detergente suave para loza
- Agua tibia limpia

AVISO: El no cumplir estas instrucciones de limpieza puede llevar a ocasionar daños que no serán cubiertos por la garantía.

1. Desenchufe el equipo y deje que se enfríe totalmente.
2. Utilice un paño suave humedecido con agua tibia y detergente suave para loza fin de limpiar el receptáculo y la orilla.

AVISO: NO use soluciones de limpieza que contengan cloro o ingredientes blanqueadores. El uso de soluciones con estos ingredientes dañará el receptáculo y anulará la garantía.

3. Utilice el segundo paño suave humedecido con agua tibia limpia para eliminar todo el detergente del receptáculo y la orilla.

4. Use el tercer paño para secar el receptáculo y la orilla.

AVISO: El no eliminar todo el detergente ni secar completamente el equipo puede dañarlo.

5. El inserto de acero inoxidable es apto para lavavajillas.

SOLUCIÓN DE PROBLEMAS

Problema	Podría deberse a	Solución
El equipo está encendido, pero no calienta y el visor parpadea.	El inserto no es una unidad Vollrath apta para inducción o se trata de un inserto Vollrath de tamaño incorrecto.	Reemplácelo por un inserto Vollrath apto para inducción correcto para el equipo. Los insertos Vollrath aptos para inducción vienen estampados con la leyenda en inglés "Induction Ready". Reinicie el equipo apagándolo y encendiéndolo nuevamente.
	Los problemas con la conexión eléctrica causan un bajo voltaje de entrada.	Cerciórese de que el enchufe esté completamente introducido en un tomacorriente eléctrico cuyo voltaje nominal corresponda al indicado en la placa identificatoria del equipo. Cerciórese de que el circuito eléctrico no esté sobrecargado.
La alarma se activa.	Es un error.	Vea los mensajes del visor en la tabla de abajo.
El equipo dejó de funcionar repentinamente.	Puede que esté demasiado cerca de una fuente de calor externa o la entrada de aire esté restringida.	Reubíquelo lejos de toda fuente de calor externa. Despeje todas las obstrucciones en la entrada de aire. Comuníquese con los Servicios de asistencia técnica de Vollrath si el problema persiste.
	Puede que el inserto esté demasiado caliente.	Retírelo. Deje que el inserto y el equipo se enfríen antes de reanudar su uso. Comuníquese con los Servicios de asistencia técnica de Vollrath si el problema persiste.

Mensaje del visor	Causa	Solución
Fuente/olla incorrecta	El inserto no es una unidad Vollrath apta para inducción o se trata de un inserto Vollrath de tamaño incorrecto.	Reemplácelo por un inserto Vollrath apto para inducción correcto para el equipo. Los insertos Vollrath aptos para inducción vienen estampados con la leyenda en inglés "Induction Ready". Reinicie el equipo apagándolo y encendiéndolo nuevamente.
HOT (caliente)	Si el equipo está apagado, esto es normal. Indica que el equipo aún está caliente.	Deje que el equipo se enfríe (unos 5 a 10 minutos) antes de limpiarlo.
	Si está en uso, es posible que el inserto esté demasiado caliente.	Retírelo. Deje que el inserto y el equipo se enfríen antes de reanudar su uso. No coloque comida excesivamente caliente en el inserto. No coloque un inserto excesivamente caliente en el equipo. Comuníquese con los Servicios de asistencia técnica de Vollrath si el problema persiste.
F-2	Puede que el inserto esté demasiado caliente.	Retírelo. Deje que el inserto y el equipo se enfríen antes de reanudar su uso. No coloque comida excesivamente caliente en el inserto. No coloque un inserto excesivamente caliente en el equipo. Comuníquese con los Servicios de asistencia técnica de Vollrath si el problema persiste.
F-1	Es posible que el equipo se haya sobrecalentado.	Reubíquelo lejos de toda fuente de calor externa. Despeje todas las obstrucciones en la entrada de aire. Comuníquese con los Servicios de asistencia técnica de Vollrath si el problema persiste.
F-8		
Otros códigos de error	Error interno.	Comuníquese con los Servicios de asistencia técnica de Vollrath.

Esta página se dejó intencionalmente en blanco.

SERVICIO Y REPARACIÓN

En vollrathfoodservice.com, encontrará las piezas que puedan ser reparadas.

Para evitar lesiones o daños materiales graves, no trate de reparar la unidad ni reemplazar un cable eléctrico por su cuenta. No envíe las unidades directamente a The Vollrath Company LLC. Pida instrucciones a los Servicios de asistencia técnica de Vollrath.

Al comunicarse con los servicios, esté listo para proporcionar el número de artículo, número de modelo (si corresponde), número de serie y el comprobante de compra que muestre la fecha en que adquirió la unidad.

CLÁUSULA DE GARANTÍA DE THE VOLLRATH CO. L.L.C.

Esta garantía no se aplica a los productos adquiridos para uso personal, familiar ni doméstico, y The Vollrath Company LLC no ofrece una garantía por escrito a los compradores para dichos usos.

The Vollrath Company LLC garantiza los productos que fabrica o distribuye contra defectos en materiales y fabricación, según se especifica en nuestra cláusula de garantía completa. En todos los casos, la garantía rige desde la fecha de compra original del usuario final que aparece en el recibo. La garantía no cubrirá ningún daño que resulte del uso indebido, abuso, modificación o daños causados por el embalado incorrecto durante la devolución para obtener servicio de reparación dentro del período de vigencia de la garantía.

Para obtener información de garantía, inscripción de productos y anuncios de productos nuevos, visite vollrathfoodservice.com.

VOLLRATH

vollrathfoodservice.com

The Vollrath Company, L.L.C.

1236 North 18th Street
Sheboygan, WI 53081-3201 EE. UU.
Tel. principal: 800.624.2051 ó 920.457.4851 Fax
principal: 800.752.5620 ó 920.459.6573 Servicio
al cliente: 800.628.0830
Servicio al cliente en Canadá: 800.695.8560

Servicios de asistencia técnica:

techservicereps@vollrathco.com Productos de
inducción: 800.825.6036 Productos de
calentamiento para mostrador: 800.354.1970
Todos los demás productos: 800.628.0832