



Outperform every day.™

# Operator's Manual

## Heavy-Duty Automatic Electric Slicer

Thank you for purchasing this Vollrath equipment. Before operating the equipment, read and familiarize yourself with the following operating and safety instructions. **SAVE THESE INSTRUCTIONS FOR FUTURE REFERENCE.** Save the original box and packaging. Use this packaging to ship the equipment if repairs are needed.

### SAFETY PRECAUTIONS

To ensure safe operation, read the following statements and understand their meaning. This manual contains safety precautions which are explained below. Please read carefully.

#### **WARNING**

Warning is used to indicate the presence of a hazard that will or can cause severe personal injury or death.

#### **CAUTION**

Caution is used to indicate the presence of a hazard that will or can cause minor or major personal injury if the caution is ignored.

**NOTICE:** Notice is used to note information that is important but not hazard-related.



Item No.	Model No.	Description	Drive	Peak HP	Voltage	Amps	Hz	Plug
40954	SLP300A/S	12" Blade	Belt	1/2	120	4.0	60	NEMA 5-15P

#### **WARNING**

Severe injury can occur if this equipment is not used properly.

#### **To reduce risk of injury or damage to the equipment:**

- Keep out of reach of children.
- Do not turn equipment on unless all guards are in place.
- Keep the carriage slide and gauge plate slide lubricated to ensure easy movement.
- Do not feed food by hand: always use food pusher.
- Equipment must be connected to a properly-grounded electrical supply matching the nameplate rating.
- Always unplug equipment before cleaning.
- Keep equipment away from water; avoid water jets during cleaning.
- Equipment should only be used in a flat, level position.
- Do not operate unattended.
- Install or locate this appliance only in accordance with the provided installation instructions.
- Do not operate this appliance if it has a damaged cord or a plug, if it is not working properly or if it has been damaged or dropped.
- Do not immerse the cord or plug in water. Keep the cord away from heated surfaces. Do not hang the cord over the edge of a table or counter.
- Do not use an extension cord with this equipment. Do not plug this equipment into a power strip or multi-outlet power cord.
- This equipment must be installed by a qualified person and in accordance with local codes and ordinances.
- Do not spray controls or outside of equipment with liquids or cleaning agents.
- Do not clean the equipment with steel wool.
- Keep equipment and power cord away from open flames, electric burners or excessive heat.

Please register your product at [Vollrath.com/ProductRegister](http://Vollrath.com/ProductRegister)

---

## FUNCTION AND PURPOSE

---

This equipment is intended to be used to slice food products in commercial foodservice operations only. It is not recommended for use with bone-in meat. It is not intended for household or laboratory use.

---

## UNCRATE THE EQUIPMENT

---

### Tools Required:

- ½" socket wrench

1. Upon arrival, inspect the package and equipment for damage.
2. Immediately inform the carrier of any damage.
3. Position the pallet with the slicer on a flat surface.



4. Remove the banding.
5. Lift the box to remove it from the pallet.



6. Remove all packing material and tape, as well as any protective plastic from the equipment.

7. Remove the two bolts, with washers, that fasten the slicer to the pallet.



8. Lift the slicer from the pallet.
9. Turn the feet to level the slicer.

## SET UP THE EQUIPMENT

### Clearance and Environmental Requirements

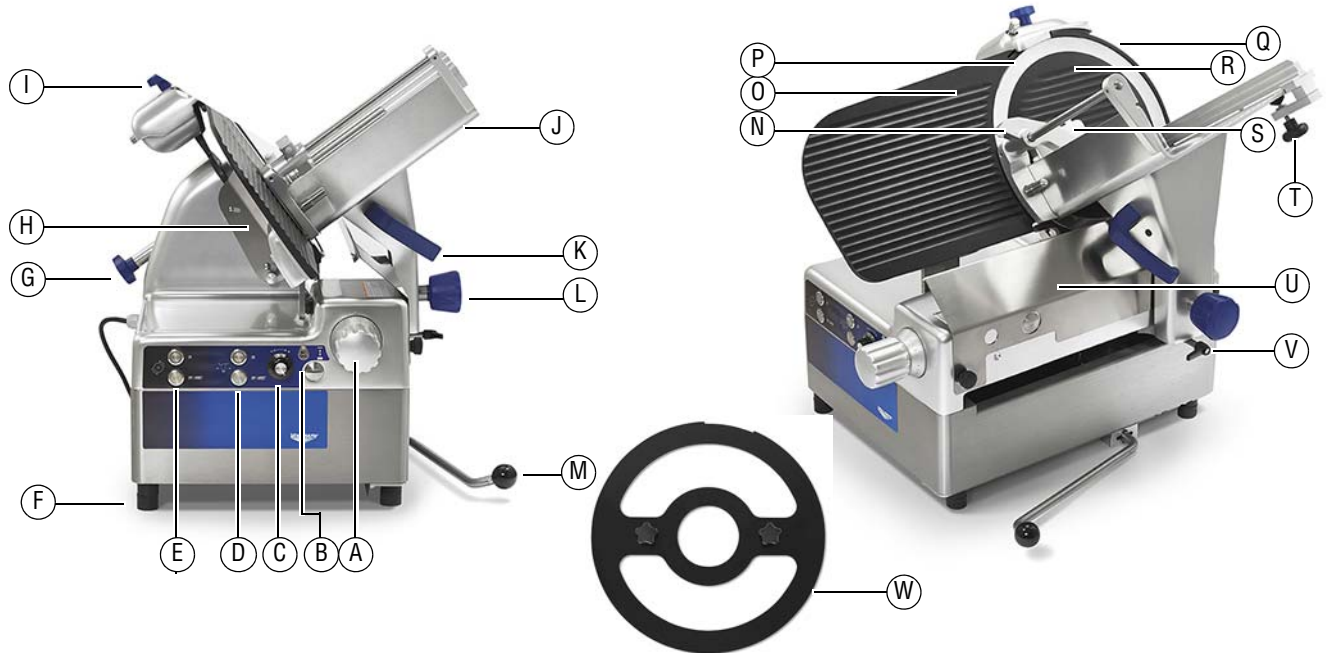
#### Slicer must be placed:

- 31½" (80 cm) from the ground
- 77⁄8" (20 cm) from walls or surrounding objects to allow for sufficient room to operate the slicer
- in a dry area, away from heat sources and not in a passageway.

### Set Up

1. Clean the equipment.  
Before using this equipment it must be cleaned thoroughly. See "Clean and Sanitize the Slicer" on page 7. Failure to clean surfaces before using the equipment could cause food contamination.
2. Plug equipment into a properly-grounded electrical supply matching the nameplate rating. Damage to the equipment can occur if incorrect power is supplied to equipment.

## FEATURES AND CONTROLS



- A** Index Control
- B** Carriage Slide Lubricant Access
- C** Carriage Speed Adjustment
- D** Automatic Carriage ON/OFF
- E** Power ON/OFF Buttons
- F** Foot and Metal Spacer
- G** Blade Cover Release Knob
- H** Slice Guard
- I** Blade Sharpener
- J** Carriage Tray
- K** Carriage Handle
- L** Carriage Release Knob
- M** Kickstand

- N** Product Grip Handle
- O** Gauge Plate
- P** Blade
- Q** Blade Guard
- R** Blade Cover
- S** Product Grip
- T** Food Fence
- U** Automatic Carriage Guard
- V** Carriage Lever Lock
- W** Safe Blade Removal Tool

## OPERATION



### **WARNING**

#### **Cut and Amputation Hazard**

The blade on this commercial slicer is extremely sharp. Severe injury can occur if care is not used when using or cleaning this product. Only trained personnel should operate equipment or perform maintenance. To reduce the risk of injury, the use of a cut resistant glove(s) is recommended when cleaning this equipment.



### **WARNING**

#### **Electrical Shock Hazard**

Keep water and other liquids from entering the inside of the equipment. Liquid inside the equipment could cause an electrical shock. Do not spray water or cleaning products. Liquid could contact the electrical components and cause a short circuit or an electrical shock.

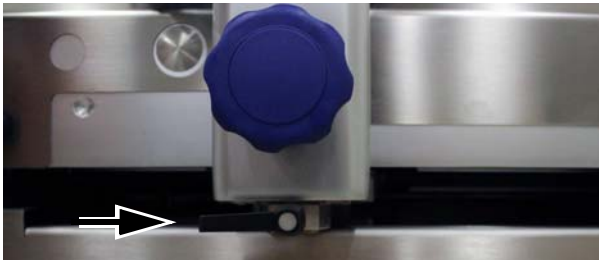
## Inspect the Slicer

- Inspect the slicer for correct assembly.
- Verify the carriage release knob is fully tight and the carriage tray does not wobble. Gently move the carriage to verify the carriage release pin is fully retracted and does not rub against the slicer body.
- Verify the slicer is in good working condition.
- Do not use the slicer if it is not in good working condition. Contact authorized Vollrath service agency to service the slicer.

## Manual Operation

### Load the Slicer

1. Verify the carriage tray lever is in the unlocked position.



2. Slide the carriage tray to the load/start position (closest to the operator).



3. Lift the product grip and place the food onto the carriage tray and in contact with the gauge plate.
4. Place the product grip either on top or behind food to be sliced.
5. Adjust the food fence to hold the product firmly in place.
6. Set the desired slice thickness using the index control.



7. Press and release the Power ON button.



### Slice Food

1. Use the carriage handle to push the carriage tray back and forth to slice the food.

### Turn Off the Slicer

1. Turn the index control to the zero (0) position so the gauge plate protects the knife edge.



2. Press and release the Power OFF button.



## OPERATION (CONTINUED)

### Automatic Operation

1. Turn carriage lock lever to the unlock position.



2. Slide the carriage tray to the load/start position (closest to the operator).



3. Turn the carriage lock lever to the lock position.



### Load the Slicer

1. Place the food to be sliced onto the carriage tray.

### Slice Food

1. Turn the index control to desired slice thickness.



2. Turn the speed control knob to 1.



3. Press and release the Power ON button. The blade will start to rotate.



4. Press and release the Automatic Carriage ON button. There may be a slight delay while the carriage engages. Once engaged, the carriage tray will start to move back and forth.



5. Turn the speed control knob to the desired speed.

### Turn Off the Slicer

1. Turn the speed control knob to 1.



2. Press and release the Automatic Carriage OFF button.



3. Turn the index control to the zero (0) position so the gauge plate protects the knife edge.



4. Press and release the Power OFF button.



---

## LUBRICATION

---

To ensure smooth and safe operation properly lubricate the slicer.

### Carriage Slide

Lubricate the carriage slide monthly or more frequently as needed. See “Lubricate Carriage Slide” on page 11.



### Gauge Plate Slide

Lubricate the gauge plate slide at least daily, and after every cleaning with the oil supplied with the slicer or a food-grade lubricant.



---

## OVERLOAD RESET SWITCH

---

If the slicer becomes overloaded the reset switches stop the slicer to protect the motor. In case of overload:

1. Press and release the Power OFF button.
2. Unplug the slicer power cord from the electrical outlet.
3. Remove the food that caused the overload. If necessary, clean the equipment. See “Clean and Sanitize the Slicer” on page 7.
4. Press and release both reset buttons, located on the bottom of the slicer.



5. Plug the slicer cord back into the same electrical outlet from which it was removed.
6. Press and release the Power ON button.
7. If the carriage tray will not operate in automatic mode, press and release both button, located on the bottom of the slicer. If the problem persists, contact Vollrath Technical Services.

Reset should be a rare occurrence and should be due to overloading the slicer. Contact a Vollrath authorized repair service center if the switch is activating often during normal use.

## CLEAN AND SANITIZE THE SLICER



### **WARNING**

#### **Cut and Amputation Hazard**

The blade on this commercial slicer is extremely sharp. Severe injury can occur if care is not used when using or cleaning this product. Only trained personnel should operate equipment or perform maintenance. To reduce the risk of injury, the use of a cut resistant glove(s) is recommended when cleaning this equipment.



### **WARNING**

#### **Electrical Shock Hazard**

Keep water and other liquids from entering the inside of the equipment. Liquid inside the equipment could cause an electrical shock. Do not spray water or cleaning products. Liquid could contact the electrical components and cause a short circuit or an electrical shock.

**NOTICE:** This slicer shall be cleaned and sanitized at intervals to comply with national, state and/or local health codes.

**NOTICE:** This slicer shall be cleaned and sanitized each time the blade is sharpened.

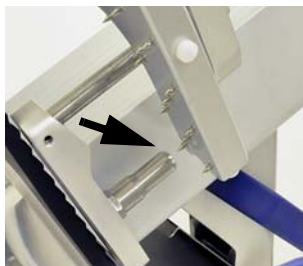
1. Unplug the slicer from the electrical outlet.
2. Turn the index control knob to the right, past zero (0), until it will not turn any further. This positions the gauge plate to protect you from the blade and is required for the carriage tray to be locked.



3. Remove the food fence.



4. Remove the product grip handle by first lifting and rotating the product grip so that it is positioned in front of the carriage tray. Slide the handle assembly up and then lower it so the notch is positioned over the pin. This will lock the handle in place so it is easier to remove.



5. Turn the handle to remove it.



6. Turn the carriage tray release knob until it is very loose. Note: it is not removable.



7. Use the carriage handle to firmly pull (do not force) the carriage tray forward until you hear a click and it is locked into place. Note: If it is difficult to lock the carriage tray, verify the index control knob is turned past zero, and as far as possible to the right. Further loosen the carriage release knob.



## CLEAN AND SANITIZE THE SLICER (CONTINUED)

8. Lift to remove the carriage tray.



9. Remove the automatic carriage guard.



10. Grasp the knob on the blade cover with one hand. With the other hand, loosen and push the blade cover knob to lift the blade cover from the blade.



11. Lift the blade sharpening assembly and rotate it 90° counter clockwise. Lift to remove it.



12. Remove the slice guard.



13. Use a clean cloth to remove all coarse residual food and liquid from the slicer surfaces.

### Clean the Slicer

**NOTICE:** Do not clean the equipment with abrasive materials or scratching cleansers. These can damage the finish. Clean the slicer with only water, a mild detergent and sanitizing solution.

**NOTICE:** Hand-wash only.

**NOTICE:** Do NOT soak the sharpening assembly.

**NOTICE:** Do NOT wash the sharpening stones. Wet stones will not properly sharpen the blade and will need to be replaced.

1. Wash the removable parts in a clean basin filled with a solution of clean warm water and mild detergent.
2. Rinse the parts with clean warm water.
3. Use a soft cloth, clean warm water and a mild detergent to clean the non-removable parts of the slicer:

- The front and back sides of the blade. Start at the center of blade and wipe toward the edge.



- Blade guard. From the backside of the blade guard, carefully wipe the inside edge of the guard.



- Gauge plate. Start at the blade and wipe outward.



- Body of the slicer.



4. Rinse the non-removable parts of the slicer with clean warm water.



---

## CLEAN AND SANITIZE THE SLICER (CONTINUED)

---

### Sanitize the Slicer

**NOTICE:** The sanitizer concentration shall comply with Section 4-501.114, Manual and Mechanical Warewashing Equipment, Chemical Sanitization – Temperature, pH, Concentration, and Hardness of the FDA Food Code.

**NOTICE:** If a chemical sanitizer other than chlorine, iodine or quaternary ammonium is used, it shall be applied in accordance with the EPA registered label use instruction.

1. Wash your hands.
2. Soak the removable parts in a clean basin in a solution of clean warm water and correctly-diluted sanitizing solution.
3. Remove the parts from the basin and allow them to air dry. Do not rinse or wipe the sanitizer off of the parts.
4. Moisten a soft clean cloth with correctly diluted sanitizing solution.
5. Use the cloth to sanitize the non-removable parts and body of the slicer. See Step 3 under “Clean the Slicer.” Do not rinse or wipe the sanitizer off of the parts.

### Reassemble the Slicer

1. Install the slice guard.
2. Install the automatic carriage guard.
3. Position the blade cover so the cover knob is at the bottom, as shown below. Install the blade cover knob and secure the blade cover.



4. Install the carriage tray and fully tighten the carriage tray release knob.

**NOTICE:** Under-tightening the knob could cause the carriage tray to wobble and result in damage to the gauge plate or slicer body.

5. Install the product grip handle.
6. Install the blade sharpening assembly.
7. Install the food fence.
8. Lubricate the gauge plate slide with the oil supplied with the slicer or with a food-grade lubricant.



### Inspect the Slicer

- Inspect the slicer for correct assembly.
- Verify the carriage release knob is fully tight and the carriage tray does not wobble. Gently move the carriage to verify the carriage release pin is fully retracted and does rub against the slicer body.
- Verify the slicer is in good working condition.
- Do not use the slicer if it is not in good working condition. Contact authorized Vollrath service agency to service the slicer.

## SAFE BLADE REMOVAL

1. Unplug the slicer from the electrical outlet.
2. Remove the blade guard cover.
3. Clean the front side of the blade. See “Clean the Slicer” on page 8.
4. Remove the sharpener.
5. Rotate the blade so that the screw holes are parallel to the base of the slicer.
6. Place the safe blade removal tool on the blade and align the two knobs on the tool with the holes in the blade.  
**Tip:** Rotate the tool so the warning label is at the top of the tool and the notch fits around the bump out of the blade guard.
7. Tighten the knobs to secure the tool to the blade.



8. Remove the screws that fasten the blade to the slicer.



9. Lift the safe blade removal tool to remove the blade.



10. Use a brush to clean any debris from the area where the blade attaches to the slicer body.



11. Reverse the procedure to reinstall the blade. Verify the blade is installed flat against the pulley.

12. Plug the slicer into the electrical outlet.

# MAINTENANCE

## Schedule

Procedure	Daily	Monthly
Inspect the slicer before each use	X	
Sharpen the blade	X	
Clean and sanitize the slicer	X	
Lubricate the gauge plate slide	X	
Lubricate the carriage slide		X

## Sharpen the Blade

Sharpen the blade daily or any time that cutting becomes difficult and/or produces a large amount of waste. The slicer should be considered and treated as a knife: If it is not adequately sharpened, the slicing results will be poor and the slicer will be overloaded.



### WARNING

#### Cut and Amputation Hazard

The blade on this commercial slicer is extremely sharp. Severe injury can occur if care is not used when using or cleaning this product. Only trained personnel should operate equipment or perform maintenance. To reduce the risk of injury, the use of a cut resistant glove(s) is recommended when cleaning this equipment.

**NOTICE:** Use the integrated sharpener to sharpen the blade. Do not remove the blade to sharpen.

**NOTICE:** Do not lubricate the blade sharpener assembly.

1. Turn the index control to the zero (0) position.
2. Press and release the Power OFF button.



3. Unplug the slicer from the electrical outlet.
4. Clean the blade to remove any grease or food.
5. Lift the sharpener and rotate it 180° counter clockwise. Position the sharpener so the blade is between the sharpening stones.



6. Plug the slicer into the electrical outlet.
7. Press and release the Power ON button.

8. Press and hold the sharpening stone button. Let the blade rotate against the sharpening stone for 30-40 seconds. Release the button. Correctly sharpening the blade should produce sparks. See the Troubleshooting section if sharpening does not produce sparks.



9. Simultaneously press and hold the sharpening and deburring stone buttons for 3-4 seconds. Release the buttons.

**NOTICE:** Pressing the buttons for longer than 3-4 seconds could bend the blade, which could then damage the slicer.



10. Press and release the Power OFF button and unplug the slicer.
11. Return the sharpener to the original position.
12. Clean the slicer. See "Clean and Sanitize the Slicer" on page 7.

## Lubricate Carriage Slide

Lubricate the carriage slide at least once a month and any time that pushing the tray becomes difficult.

**NOTICE:** Use the oil supplied with the slicer or a food safe lubricant. Do NOT use vegetable oil or oil containing silicone. Do NOT spray oil onto the slicer components. Sprayed oil could unintentionally reach areas of the slicer that should not be lubricated.

1. Press and release the Power OFF button.
2. Unplug the slicer from the electrical outlet.
3. Pull carriage all the way forward. This will align the carriage slide with the oil access hole (OIL) on the front of the slicer. If the slide is not aligned, oil will drip and pool below the slicer.
4. Put a few drops of the oil that was supplied with slicer into the carriage slide lubricant access hole (OIL) on the front of the slicer.



---

## TROUBLESHOOTING

---

Problem	Might Be Caused By	Course of Action
Poor cutting performance.	The blade needs to be sharpened.	Sharpen the blade.
Poor cutting performance even though blade is routinely sharpened.	Sharpening process is incorrect.	Repeat the sharpening process. Press and hold the sharpening stone button for a few seconds longer to allow burrs to form on the blade. If the problem persists contact Vollrath Technical Services.
No sparks when sharpening.	Sharpening stones need to be replaced.	Replace the stones.
Dirty sharpening stones.	Blade was not cleaned prior to sharpening.	Replace the stones.
Overload reset is activating too often.		Contact Vollrath Technical Services.
Gauge plate is difficult to adjust	Gauge plate slide needs lubrication.	Lubricate the gauge plate slide with the oil supplied with the slicer or with a food-grade lubricant. See page 6.

---

## SERVICE AND REPAIR

---

Serviceable parts are available on [Vollrath.com](http://Vollrath.com).

To avoid serious injury or damage, never attempt to repair the unit or replace a damaged power cord yourself. Do not send units directly to The Vollrath Company LLC. Please contact Vollrath Technical Services for instructions.

When contacting Vollrath Technical Services, please be ready with the item number, model number (if applicable), serial number, and proof of purchase showing the date the unit was purchased.

---

## WARRANTY STATEMENT FOR THE VOLLRATH CO. L.L.C.

---

This warranty does not apply to products purchased for personal, family or household use, and The Vollrath Company LLC does not offer a written warranty to purchasers for such uses.

The Vollrath Company LLC warrants the products it manufactures or distributes against defects in materials and workmanship as specifically described in our full warranty statement. In all cases, the warranty runs from the date of the end user's original purchase date found on the receipt. Any damages from improper use, abuse, modification or damage resulting from improper packaging during return shipment for warranty repair will not be covered under warranty.

For complete warranty information, product registration and new product announcement, visit [www.vollrath.com](http://www.vollrath.com).



Outperform every day.™

[www.vollrath.com](http://www.vollrath.com)

### The Vollrath Company, L.L.C.

1236 North 18th Street  
Sheboygan, WI 53081-3201 U.S.A.  
Main Tel: 800.624.2051 or 920.457.4851  
Main Fax: 800.752.5620 or 920.459.6573  
Customer Service: 800.628.0830  
Canada Customer Service: 800.695.8560

### Technical Services

[techservicereps@vollrathco.com](mailto:techservicereps@vollrathco.com)  
Induction Products: 800.825.6036  
Countertop Warming Products: 800.354.1970  
Toasters: 1-800-309-2250  
All Other Products: 800.628.0832



Outperform every day.™

# Manual del operador

## Rebanadora eléctrica automática para servicio

Gracias por comprar este equipo Vollrath. Antes de usar el equipo, lea y familiarícese con las siguientes instrucciones de operación y seguridad. **CONSERVE ESTAS INSTRUCCIONES COMO REFERENCIA PARA EL FUTURO.** Conserve la caja y embalado originales. Deberá utilizarlos para devolver el equipo en caso de que requiera reparaciones.

### PRECAUCIONES DE SEGURIDAD

Para garantizar una operación segura, lea las siguientes afirmaciones y comprenda su significado. Este manual contiene precauciones de seguridad que se explican a continuación. Léalas atentamente.



#### ADVERTENCIA

Advertencia se usa para indicar la presencia de un peligro que provocará o puede provocar lesiones graves o letales.



#### PRECAUCIÓN

Precaución se usa para indicar la presencia de un peligro que provocará o puede provocar lesiones personales o daños materiales leves si se ignora el aviso.

**AVISO:** Aviso se usa para señalar información importante no relacionada con peligros.



Art.	Modelo	Descrip.	Trans.	Máx. HP	V	A	Hz	Enchufe
40954	SLP300A/S	Hoja 12" (30,5 cm)	Correa	1/2	120	4.0	60	NEMA 5-15P



#### ADVERTENCIA

El uso incorrecto de este equipo puede causar lesiones graves.

#### Para disminuir el riesgo de lesiones personales o daños al equipo:

- Manténgalo fuera del alcance de los niños.
- No encienda el equipo si las protecciones no están en su lugar.
- Mantenga lubricadas la guía deslizante del carro y de la placa calibradora para garantizar un desplazamiento fácil.
- No agregue el alimento con la mano: siempre use el empujador de alimento.
- El equipo debe conectarse en un suministro eléctrico correctamente puesto a tierra cuyo voltaje nominal corresponda al indicado en la placa identificatoria.
- Siempre desenchufe el equipo antes de limpiarlo.
- Manténgalo lejos del agua; evite los chorros de agua durante la limpieza.
- Este equipo debe utilizarse sólo en posición plana y nivelada.
- No deje el equipo operando solo.
- Instale o ubique este artefacto sólo de acuerdo con las instrucciones de instalación que se proporcionan.
- No opere este artefacto si el cable o el enchufe están dañados, si no funciona correctamente o si se ha dañado o caído.
- No sumerja el cable ni el enchufe en agua. Mantenga el cable lejos de superficies calientes. No permita que el cable cuelgue sobre el borde de una mesa o mostrador.
- No use un cable de extensión con este equipo. No enchufe este equipo en una regleta eléctrica ni cable de múltiples tomas.
- Este equipo debe ser instalado por personal calificado en cumplimiento con los códigos y ordenanzas locales.
- No rocíe con líquidos ni agentes de limpieza los controles ni la parte externa del equipo.
- No lo limpie con lana de acero.
- Mantenga el equipo y el cable eléctrico lejos de llamas expuestas, quemadores eléctricos o calor excesivo.

Inscriba su producto en [Vollrath.com/ProductRegister](http://Vollrath.com/ProductRegister)

---

## FUNCIÓN Y PROPÓSITO

---

Este equipo está exclusivamente diseñado para rebanar productos alimenticios en operaciones comerciales de servicio de comidas. No se recomienda usarlo con carne sin deshuesar. No está diseñado para uso doméstico ni de laboratorio.

---

## DESEMBALADO DEL EQUIPO

---

### Herramientas necesarias:

- Llave de cubo de ½"

1. Al recibirlo, inspeccione el paquete y equipo para constatar que no presenten daños.
2. Informe inmediatamente al transportista cualquier daño presente.
3. Coloque la tarima con la rebanadora en una superficie plana.

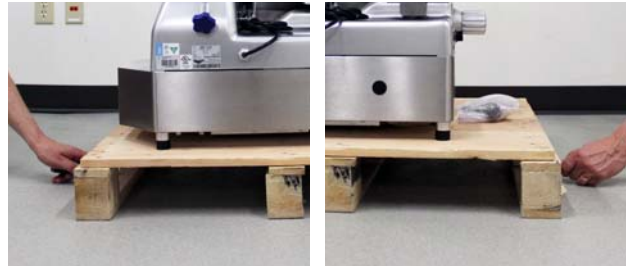


4. Retire el flejado.
5. Levante la caja para sacarla de la tarima.



6. Retire del equipo todo el material y cinta de embalado, así como el plástico protector.

7. Retire los dos pernos, con arandelas, que sujetan la rebanadora a la tarima.



8. Levante la rebanadora de la tarima.
9. Gire las patas para nivelar la rebanadora.

## PREPARACIÓN DEL EQUIPO

### Requisitos ambientales y distanciado

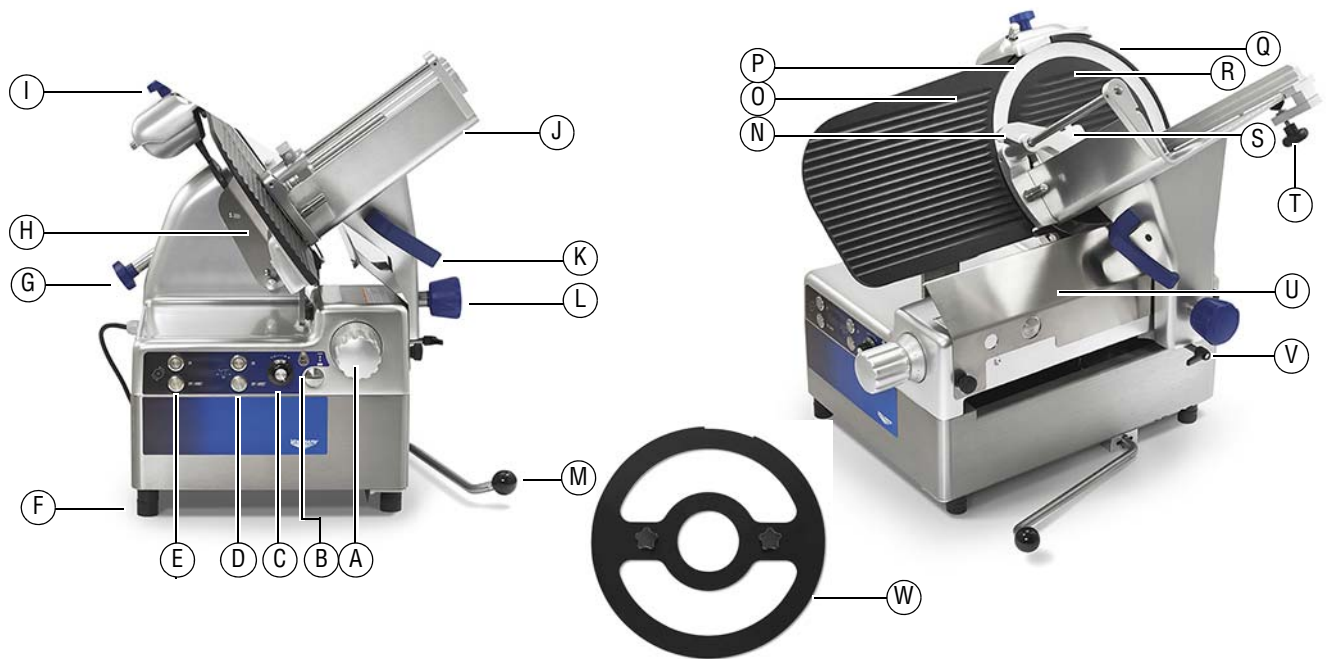
#### La rebanadora debe colocarse:

- 31½" (80 cm) respecto del suelo.
- 77⁄8" (20 cm) respecto de las paredes u objetos circundantes a fin de permitir suficiente espacio para operar la rebanadora.
- en un área seca, lejos de fuentes de calor y nunca en un pasillo.

### Preparación

1. Limpie el equipo.  
Antes de usarlo, el equipo debe limpiarse completamente. Vea "Limpieza e higienización de la rebanadora" en la página 7. Si no se limpian las superficies antes de usar el equipo, los alimentos podrían contaminarse.
2. Enchufe el equipo en un suministro eléctrico correctamente puesto a tierra cuyo voltaje nominal corresponda al indicado en la placa identificatoria. El equipo puede resultar dañado si recibe suministro eléctrico incorrecto.

## CARACTERÍSTICAS Y CONTROLES



- A** Control de grosor
- B** Acceso para lubricar guía deslizante del carro
- C** Ajuste de la velocidad del carro
- D** Encendido/Apagado ("ON/OFF") del carro automático
- E** Botones de encendido/apagado ("ON/OFF")
- F** Pata de caucho y espaciador metálico
- G** Perilla de liberación de la cubierta de la hoja
- H** Protección contra rebanado
- I** Afilador de la hoja
- J** Bandeja del carro
- K** Mango del carro
- L** Perilla de liberación del carro
- M** Soporte

- N** Mango del agarre de productos
- O** Placa calibradora
- P** Hoja
- Q** Protección de la hoja
- R** Cubierta de la hoja
- S** Agarre de productos
- T** Barrera para el alimento
- U** Protección del carro automático
- V** Palanca de bloqueo del carro
- W** Herramienta de retiro seguro de la hoja

## OPERACIÓN



### ⚠ ADVERTENCIA

#### Peligro de corte y amputación

La hoja de esta rebanadora comercial es sumamente filosa. Pueden producirse lesiones graves si no se tiene cuidado al emplear o limpiar este producto. Sólo personal calificado debe operar o dar mantenimiento al equipo. Para reducir el riesgo de lesiones, se recomienda usar guantes resistentes a los cortes al limpiar el equipo.



### ⚠ ADVERTENCIA

#### Peligro de descarga eléctrica

Evite que ingrese agua o cualquier otro tipo de líquido al interior del equipo, ya que ello podría causar una descarga eléctrica. No lo rocíe con agua ni productos de limpieza. El líquido podría hacer contacto con los componentes eléctricos y causar un cortocircuito o una descarga eléctrica.

## Inspeccionar la rebanadora

- Compruebe que el montaje de la rebanadora se haya realizado correctamente.
- Verifique que la perilla de liberación del carro esté completamente apretada y que no tambalee la bandeja del carro. Mueva cuidadosamente el carro para verificar que su pasador de liberación esté completamente retraído y que no roce contra el cuerpo de la rebanadora.
- Verifique que la rebanadora esté en buen estado de operación.
- De lo contrario, no utilice el equipo. Comuníquese con un taller de servicio autorizado de Vollrath para reparar la rebanadora.

## Operación manual

### Cargar la rebanadora

1. Verifique que la palanca de la bandeja del carro esté en la posición desbloqueada.



2. Deslice la bandeja del carro hasta la posición de carga/inicio (la más cercana al operador).



3. Levante el agarre de productos y coloque el alimento en la bandeja del carro en contacto con la placa calibradora.
4. Coloque el agarre de productos ya sea encima o detrás del alimento que va a rebanar.
5. Ajuste la barrera para alimento a fin de mantener el producto firmemente en su lugar.
6. Fije el espesor deseado de la rebanada usando el control de grosor.



7. Pulse y suelte el botón de encendido (" ON" ).



### Rebanar alimentos

Utilice el mango del carro para empujar la bandeja del carro hacia atrás y adelante a fin de rebanar el alimento.

### Apagar la rebanadora

1. Gire el control de grosor hasta la posición del cero (0) de modo que la placa calibradora proteja el filo de la cuchilla.



2. Pulse y suelte el botón de apagado (" OFF" ).





## FUNCIONAMIENTO (CONTINUACIÓN)

### Operación automática

1. Gire la palanca de bloqueo del carro a la posición desbloqueada.



2. Deslice la bandeja del carro hasta la posición de carga/inicio (la más cercana al operador).



3. Gire la palanca de bloqueo del carro a la posición bloqueada.



### Cargar la rebanadora

1. Coloque los alimentos que vaya a rebanar en la bandeja del carro.

### Rebanar alimentos

1. Gire el control de grosor al espesor deseado de la rebanada.



2. Gire la perilla controladora de velocidad hasta el ajuste 1.



3. Pulse y suelte el botón de encendido (" ON" ). La hoja comenzará a dar vueltas.



4. Pulse y suelte el botón de encendido (" ON" ) del carro automático. Puede que haya un leve retardo mientras se engancha el carro. Una vez enganchado el carro, su bandeja comenzará a desplazarse hacia atrás y adelante.



5. Gire la perilla controladora de velocidad al ajuste deseado.

### Apagar la rebanadora

1. Gire la perilla controladora de velocidad hasta el ajuste 1.



2. Pulse y suelte el botón de apagado (" OFF" ) del carro automático.



3. Gire el control de grosor hasta la posición del cero (0) de modo que la placa calibradora proteja el filo de la cuchilla.



4. Pulse y suelte el botón de apagado (" OFF" ).



## LUBRICACIÓN

Para garantizar una operación segura y uniforme, lubrique adecuadamente la rebanadora.

### Guía deslizante del carro

Lubrique la guía deslizante del carro mensualmente (o con mayor frecuencia) según sea necesario. Vea "Lubricar guía deslizante del carro" en la página 11.



### Guía deslizante de placa calibradora

Lubrique la guía deslizante de la placa calibradora al menos diariamente, y tras cada limpieza con el aceite incluido con la rebanadora o bien con un lubricante apto para alimentos.



## INTERRUPTOR DE REINICIO POR SOBRECARGA

Si la rebanadora llegara a sobrecargarse, los interruptores de reinicio permiten detener el equipo para proteger el motor. En caso de sobrecarga:

1. Pulse y suelte el botón de apagado (" OFF" ).
2. Desenchufe del tomacorriente el cable eléctrico de la rebanadora.
3. Retire el alimento que causó la sobrecarga. Limpie el equipo si es necesario. Vea "Limpieza e higienización de la rebanadora" en la página 7.
4. Pulse y suelte ambos botones de reinicio, situados en la parte inferior de la rebanadora.



5. Enchufe el cable eléctrico de la rebanadora en el mismo tomacorriente desde el cual la desconectó.
6. Pulse y suelte el botón de encendido (" ON" ).
7. Si la bandeja del carro no opera en el modo automático, pulse y suelte ambos botones, situados en la parte inferior de la rebanadora. Si el problema persiste, comuníquese con los Servicios de asistencia técnica de Vollrath.

El reinicio debiera ocurrir con muy poca frecuencia y su causa debiera ser la sobrecarga de la rebanadora. Comuníquese con un centro de servicio de reparación autorizado de Vollrath si el interruptor se activa frecuentemente durante el uso normal.

## LIMPIEZA E HIGIENIZACIÓN DE LA REBANADORA



### ⚠️ ADVERTENCIA

#### Peligro de corte y amputación

La hoja de esta rebanadora comercial es sumamente filosa. Pueden producirse lesiones graves si no se tiene cuidado al emplear o limpiar este producto. Sólo personal calificado debe operar o dar mantenimiento al equipo. Para reducir el riesgo de lesiones, se recomienda usar guantes resistentes a los cortes al limpiar el equipo.



### ⚠️ ADVERTENCIA

#### Peligro de descarga eléctrica

Evite que ingrese agua o cualquier otro tipo de líquido al interior del equipo, ya que ello podría causar una descarga eléctrica. No lo rocíe con agua ni productos de limpieza. El líquido podría hacer contacto con los componentes eléctricos y causar un cortocircuito o una descarga eléctrica.

**AVISO:** Esta rebanadora debe limpiarse e higienizarse a una frecuencia que cumpla los códigos de salud nacionales, estatales y/o locales.

**AVISO:** Esta rebanadora debe limpiarse e higienizarse cada vez que se afile la hoja.

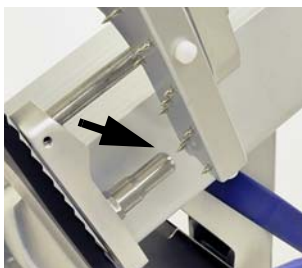
1. Desenchufe la rebanadora del tomacorriente.
2. Gire la perilla del control de grosor a la derecha, después del cero (0), hasta que deje de girar. Ello posiciona la placa calibradora a fin de proteger al usuario contra la hoja y es necesario para que quede bloqueada la bandeja del carro.



3. Retire la barrera para alimento.



4. Retire el mango del agarre de productos levantando y girando primero el agarre de productos de tal manera que quede frente a la bandeja del carro. Deslice el conjunto del mango hacia arriba y luego bájelo de modo que la muesca quede sobre el pasador. Esto bloqueará el mango en su lugar para poder retirarlo más fácilmente.



5. Gire el mango para retirarlo.



6. Gire la perilla de liberación la bandeja del carro hasta que quede bastante suelta. Nota: no es retirable.



7. Use el mango del carro para jalar firmemente (sin forzar) la bandeja del carro hacia adelante hasta escuchar un chasquido y que quede bloqueada en su lugar.

Nota: Si le resulta difícil bloquear la bandeja del carro, verifique que la perilla del control de grosor se haya girado después del cero y lo más posible hacia la derecha. Afloje aún más la perilla de liberación del carro.



## LIMPIEZA E HIGIENIZACIÓN DE LA REBANADORA (CONTINUACIÓN)

8. Levántela para retirar la bandeja del carro.



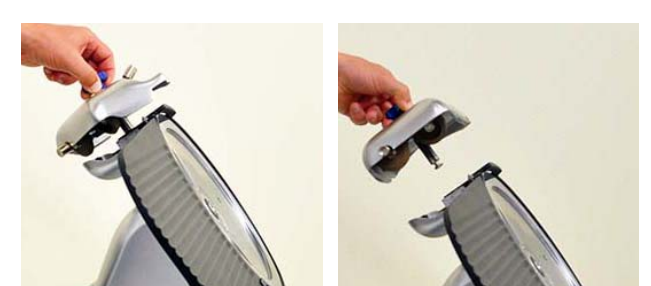
9. Retire la protección del carro automático.



10. Agarre con una mano la perilla en la cubierta de la hoja. Con la otra mano, afloje y empuje la perilla para levantar la cubierta de la hoja.



11. Levante el conjunto de afilado de la hoja y gírelo 90° en sentido antihorario. Levántelo para retirarlo.



12. Retire la protección contra rebanado.



13. Use un paño limpio para eliminar todos los líquidos y residuos gruesos de las superficies de la rebanadora.

### Limpiar la rebanadora

**AVISO:** No limpie el equipo con materiales abrasivos ni con limpiadores que rayen la unidad, ya que pueden dañar el acabado. Limpie la rebanadora únicamente con agua, detergente suave y solución higienizante.

**AVISO:** Solamente lávela a mano.

**AVISO:** NO remoje el conjunto de afilado.

**AVISO:** NO lave las piedras afiladoras. Las piedras húmedas no afilarán correctamente la hoja y deberán reemplazarse.

1. Lave las piezas retirables en un recipiente limpio que contenga una solución de agua tibia y detergente suave.
2. Enjuague las piezas con agua tibia limpia.
3. Utilice un paño suave, agua tibia limpia y detergente suave para limpiar las piezas no retirables de la rebanadora:
  - Parte delantera y trasera de la hoja. Comience en el centro de la hoja limpiando hacia el borde.



- Protección de la hoja. Desde la parte trasera de la protección de la hoja, limpie cuidadosamente el borde interior de la protección.



- Placa calibradora. Comience en la hoja limpiando hacia afuera.



- Cuerpo de la rebanadora.



4. Enjuague las piezas no retirables de la rebanadora con agua tibia limpia.

## LIMPIEZA E HIGIENIZACIÓN DE LA REBANADORA (CONTINUACIÓN)

### Higienizar la rebanadora

**AVISO:** La concentración de la solución higienizante debe cumplir los requisitos de la Sección 4-501.114 del Código de Alimentos de la FDA sobre equipos manuales y mecánicos para el lavado de utensilios, higienización química, temperatura, pH, concentración y dureza.

**AVISO:** Si se usa una solución higienizante química distinta del cloro, iodina o amonio cuaternario, ésta debe aplicarse de acuerdo con las instrucciones de uso que aparecen en la etiqueta registrada por EPA.

1. Lávese las manos.
2. En un recipiente limpio, remoje las piezas retirables en una mezcla de agua tibia limpia con solución higienizante correctamente diluida.
3. Retire las piezas del recipiente y deje que se sequen al aire. No las enjuague ni use un paño para eliminar la solución higienizante.
4. Humedezca un paño limpio suave con solución higienizante correctamente diluida.
5. Utilice el paño para higienizar las piezas no retirables y el cuerpo de la rebanadora. Consulte el Paso 3 en el apartado "Limpiar la rebanadora". No las enjuague ni use un paño para eliminar la solución higienizante.

### Volver a montar la rebanadora

1. Instale la protección contra rebanado.
2. Instale la protección del carro automático.
3. Coloque la cubierta de la hoja de tal manera que la perilla quede en la parte inferior, tal cual se muestra en la figura de abajo. Instale la perilla de la cubierta de la hoja y afiance la cubierta.



4. Instale la bandeja del carro y apriete completamente la perilla de liberación.

**AVISO:** Si no la aprieta lo suficiente podría tambalearse el carro y dañarse la placa calibradora o el cuerpo de la rebanadora.

5. Instale el mango del agarre de productos.
6. Instale el conjunto de afilado de la hoja.
7. Instale la barrera para alimento.
8. Lubrique la guía deslizante de la placa calibradora con el aceite incluido con la rebanadora o bien con un lubricante apto para alimentos.



### Inspeccionar la rebanadora

- Compruebe que el montaje de la rebanadora se haya realizado correctamente.
- Verifique que la perilla de liberación del carro esté completamente apretada y que no tambalee la bandeja del carro. Mueva cuidadosamente el carro para verificar que su pasador de liberación esté completamente retraído y que no roce contra el cuerpo de la rebanadora.
- Verifique que la rebanadora esté en buen estado de operación.
- De lo contrario, no utilice el equipo. Comuníquese con un taller de servicio autorizado de Vollrath para reparar la rebanadora.

## RETIRO SEGURO DE LA HOJA

1. Desenchufe la rebanadora del tomacorriente.
2. Retire la cubierta protectora de la hoja.
3. Limpie la parte delantera de la hoja. Vea "Limpiar la rebanadora" en la página 8.
4. Retire el afilador.
5. Gire la hoja de modo que los orificios de los tornillos queden paralelos respecto a la base de la rebanadora.
6. Coloque la herramienta de retiro seguro sobre la hoja y alinee las dos perillas de la herramienta con los orificios en la hoja.  
**Consejo:** Gire la herramienta de modo que la etiqueta de advertencia quede en la parte superior de la herramienta y que la muesca se ajuste alrededor de la protuberancia de la protección de la hoja.
7. Apriete las perillas para afianzar la herramienta a la hoja.



8. Retire los tornillos que sujetan la hoja en la rebanadora,



9. Levante la herramienta de retiro seguro para extraer la hoja.



10. Use un cepillo para limpiar todo desecho del área en que la hoja se conecta al cuerpo de la rebanadora.



11. Utilice el procedimiento inverso para reinstalar la hoja. Verifique que la hoja se instale en plano horizontal respecto a la polea.

12. Enchufe la rebanadora en el tomacorriente.

## MANTENIMIENTO

### Programa

Procedimiento	Diariamente	Mensualmente
Revise la rebanadora antes de cada uso	X	
Afile la hoja	X	
Limpie e higienice la rebanadora	X	
Lubrique la guía deslizante de la placa calibradora	X	
Lubrique la guía deslizante del carro		X

### Afilarse la hoja

Afile la hoja diariamente o cada vez que cueste cortar y/o cuando se produzca una mayor cantidad de desechos. La rebanadora debe considerarse y tratarse como si fuera un cuchillo: Si no está adecuadamente afilada, el rebanado será deficiente y la rebanadora se sobrecargará.



#### ⚠ ADVERTENCIA

##### Peligro de corte y amputación

La hoja de esta rebanadora comercial es sumamente filosa. Pueden producirse lesiones graves si no se tiene cuidado al emplear o limpiar este producto. Sólo personal calificado debe operar o dar mantenimiento al equipo. Para reducir el riesgo de lesiones, se recomienda usar guantes resistentes a los cortes al limpiar el equipo.

**AVISO:** Utilice el afilador integrado para afilar la hoja. No retire la hoja para afilarla.

**AVISO:** NO remoje el conjunto del afilador de la hoja.

1. Gire el control de grosor hasta la posición del cero (0).
2. Pulse y suelte el botón de apagado ("OFF").



3. Desenchufe la rebanadora del tomacorriente.
4. Limpie la hoja para eliminar cualquier resto de grasa o alimento.
5. Levante el afilador y gírelo 180° en sentido antihorario. Coloque el afilador de modo que la hoja se sitúe entre las piedras afiladoras.



6. Enchufe la rebanadora en el tomacorriente.
7. Pulse y suelte el botón de encendido ("ON").

8. Mantenga pulsado el botón de la piedra afiladora. Deje que la hoja gire contra la piedra afiladora durante 30 a 40 segundos. Suelte el botón. Deberían producirse chispas al afilar correctamente la hoja. Si ello no ocurre, consulte la sección "Solución de problemas".



9. Mantenga pulsado simultáneamente los botones de la piedra de desrebabado y piedra afiladora durante 3 a 4 segundos. Suelte los botones.

**AVISO:** Pulsar los botones por más de 3 a 4 segundos podría doblar la hoja, dañando a la vez la rebanadora.



10. Pulse y suelte el botón de apagado ("OFF") y desenchufe la rebanadora.
11. Vuelva a colocar la rebanadora en la posición original.
12. Limpie la rebanadora. Vea "Limpieza e higienización de la rebanadora" en la página 7.

### Lubricar guía deslizante del carro

Lubrique la guía deslizante del carro al menos una vez al mes y cada vez que cueste empujar la bandeja.

**AVISO:** Use el aceite que se proporciona con la rebanadora o bien un lubricante apto para alimentos. NO use aceite vegetal ni que contenga silicona. NO rocíe aceite sobre los componentes de la rebanadora. Ello podría provocar que el aceite llegue a áreas de la rebanadora que no deben lubricarse.

1. Pulse y suelte el botón de apagado ("OFF").
2. Desenchufe la rebanadora del tomacorriente.
3. Mueva el carro completamente hacia adelante. Ello permitirá alinear la guía deslizante del carro con el orificio de acceso para el aceite ("OIL") situado en la parte delantera de la rebanadora. Si la guía deslizante no está alineada, el aceite goteará y se acumulará debajo de la rebanadora.
4. Coloque unas cuantas gotas del aceite incluido con la rebanadora en el orificio de acceso para lubricar la guía deslizante del carro ("OIL") situado en la parte delantera de la rebanadora.



---

## SOLUCIÓN DE PROBLEMAS

---

Problema	Podría deberse a	Solución
Bajo rendimiento de corte.	Es necesario afilar la hoja.	Afile la hoja.
Bajo rendimiento de corte incluso al afilar regularmente la hoja.	El procedimiento de afilado no es el correcto.	Repita el proceso de afilado. Mantenga pulsado el botón de la piedra afiladora algunos segundos más hasta que se formen rebabas en la hoja. Si el problema persiste, comuníquese con los Servicios de asistencia técnica de Vollrath.
No se producen chispas durante el afilado.	Es necesario reemplazar las piedras afiladoras.	Reemplace las piedras.
Las piedras afiladoras están sucias.	No se limpió la hoja antes del afilado.	Reemplace las piedras.
El interruptor de reinicio por sobrecarga se activa con demasiada frecuencia.		Comuníquese con los Servicios de asistencia técnica de Vollrath.
Resulta difícil ajustar la placa calibradora	Es necesario lubricar la guía deslizante de placa calibradora.	Lubrique la guía deslizante de la placa calibradora con el aceite incluido con la rebanadora o bien con un lubricante apto para alimentos. Vea la página 6.

---

## SERVICIO Y REPARACIÓN

---

En [Vollrath.com](http://Vollrath.com) encontrará las piezas que puedan ser reparadas.

Para evitar lesiones o daños materiales graves, no trate de reparar la unidad ni reemplazar un cable eléctrico por su cuenta. No envíe las unidades directamente a The Vollrath Company LLC. Pida instrucciones a los Servicios de asistencia técnica de Vollrath.

Al comunicarse con los servicios, esté listo para proporcionar el número de artículo, número de modelo (si corresponde), número de serie y el comprobante de compra que muestre la fecha en que adquirió la unidad.

---

## CLÁUSULA DE GARANTÍA DE THE VOLLRATH CO. L.L.C.

---

Esta garantía no se aplica a los productos adquiridos para uso personal, familiar ni doméstico, y The Vollrath Company LLC no ofrece una garantía por escrito a los compradores para dichos usos.

The Vollrath Company LLC garantiza los productos que fabrica o distribuye contra defectos en materiales y fabricación, según se especifica en nuestra cláusula de garantía completa. En todos los casos, la garantía rige desde la fecha de compra original del usuario final que aparece en el recibo. La garantía no cubrirá ningún daño que resulte del uso indebido, abuso, modificación o daños causados por el embalado incorrecto durante la devolución para obtener servicio de reparación dentro del período de vigencia de la garantía.

Para obtener información de garantía, inscripción de productos y anuncios de productos nuevos, visite [www.vollrath.com](http://www.vollrath.com)



Outperform every day.™

[www.vollrath.com](http://www.vollrath.com)

### The Vollrath Company, L.L.C.

1236 North 18th Street  
Sheboygan, WI 53081-3201 EE. UU.  
Tel. principal: 800.624.2051 ó 920.457.4851  
Fax principal: 800.752.5620 ó 920.459.6573  
Servicio al cliente: 800.628.0830  
Servicio al cliente en Canadá: 800.695.8560

### Servicios de asistencia técnica:

[techservicereps@vollrathco.com](mailto:techservicereps@vollrathco.com)  
Productos de inducción: 800.825.6036  
Productos de calentamiento para mostrador:  
800.354.1970  
Todos los demás productos: 800.628.0832



## Trancheur électrique automatique pour service sévère

Avant d'utiliser cet appareil, lisez et familiarisez-vous avec le mode d'emploi et les consignes d'utilisation qui suivent. CONSERVEZ CES INSTRUCTIONS POUR RÉFÉRENCE ULTÉRIEURE. Conservez l'emballage et le carton d'origine. L'emballage devra être réutilisé pour expédier l'appareil si une réparation est nécessaire.

### CONSIGNES DE SÉCURITÉ

Pour garantir un fonctionnement sûr, lisez les avertissements suivants et comprenez leur signification. Ce manuel contient des consignes de sécurité, présentées ci-dessous. Lisez-les attentivement.

#### AVERTISSEMENT

Un avertissement permet d'indiquer la présence d'un danger qui causera ou peut causer des blessures personnelles graves ou la mort.

#### ATTENTION

Une mise en garde indique la présence d'un danger qui causera ou pourra causer des blessures mineures ou majeures si elle est ignorée.

**AVIS :** Un avis met en évidence des informations qui sont importantes mais sans rapport avec un danger.



Art.	Modèle	Descrip.	Entraînement	Puiss. (HP)	Tens.	A	Hz	Fiche
40954	SLP300A/S	Lame 12" (30,5 cm)	Courroie	1/2	120	4,0	60	NEMA 5-15P

#### AVERTISSEMENT

Risque blessures graves si cet appareil n'est pas correctement utilisé.

#### **Pour réduire le risque de blessures et d'endommagement de l'appareil :**

- Tenez hors de portée des enfants.
- Ne mettez pas l'appareil en marche sans que les sécurités en place.
- Gardez la glissière du chariot et la glissière de la plaque d'épaisseur de tranche lubrifiées pour garantir un mouvement fluide.
- N'introduisez pas les aliments à la main : utilisez toujours le poussoir.
- L'appareil doit être branché sur une prise électrique correctement mise à la terre correspondant aux valeurs indiquées sur la plaque signalétique.
- Débranchez toujours l'appareil avant de le nettoyer.
- Tenez l'appareil loin de l'eau; évitez les projections d'eau durant le nettoyage.
- Cet appareil doit uniquement être utilisé en position horizontale.
- N'utilisez pas l'appareil sans surveillance.
- Installez ou placez cet appareil en suivant scrupuleusement les instructions d'installation fournies.
- N'utilisez pas cet appareil s'il a un cordon ou une fiche abîmé(e), s'il fonctionne mal ou s'il a été endommagé ou est tombé par terre.
- Ne plongez pas le câble électrique ou sa fiche dans l'eau. Tenez le câble électrique à l'écart des surfaces chauffées. Ne laissez pas pendre le câble électrique d'une table ou d'un comptoir.
- N'utilisez pas de rallonge électrique avec cet appareil. Ne branchez pas cet appareil sur une barrette d'alimentation ou un cordon d'alimentation à prises multiples.
- L'appareil doit être installé par un personnel qualifié conformément à tous les codes et décrets locaux.
- Ne vaporisez pas les commandes ou l'extérieur de l'appareil avec des liquides ou des produits nettoyants.
- Ne nettoyez pas l'appareil à la laine d'acier.
- Tenez l'appareil et son cordon d'alimentation à l'écart des flammes nues, des brûleurs électriques ou d'une chaleur excessive.

Veuillez enregistrer votre produit sur [Vollrath.com/ProductRegister](http://Vollrath.com/ProductRegister)

---

## FONCTION ET OBJET

---

Cet appareil permet de couper des aliments en tranches dans les opérations de restauration commerciales seulement. Il est déconseillé de l'utiliser avec de la viande sur l'os. Il n'est pas destiné à une utilisation ménagère ou en laboratoire.

---

## SORTEZ L'APPAREIL DE SA CAISSE

---

### Outils requis :

- ½" Clé à douilles

1. À son arrivée, inspectez l'état du colis et de l'appareil.
2. Informez immédiatement le transporteur en cas de dommages.
3. Positionnez la palette contenant le trancheur sur une surface plane.

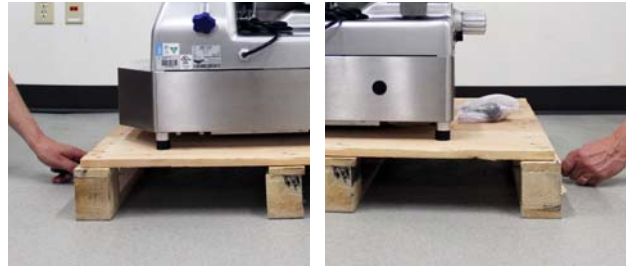


4. Enlevez le cerclage.
5. Soulevez la boîte pour l'enlever de la palette.



6. Enlevez tout le matériel d'emballage et le ruban adhésif, ainsi que le plastique de protection.

7. Enlevez les deux boulons, avec les rondelles, qui fixent le trancheur sur la palette.



8. Soulevez le trancheur de la palette.
9. Tournez les pieds pour caler le trancheur.

## INSTALLEZ L'APPAREIL

### Dégagements minimums et conditions ambiantes exigées

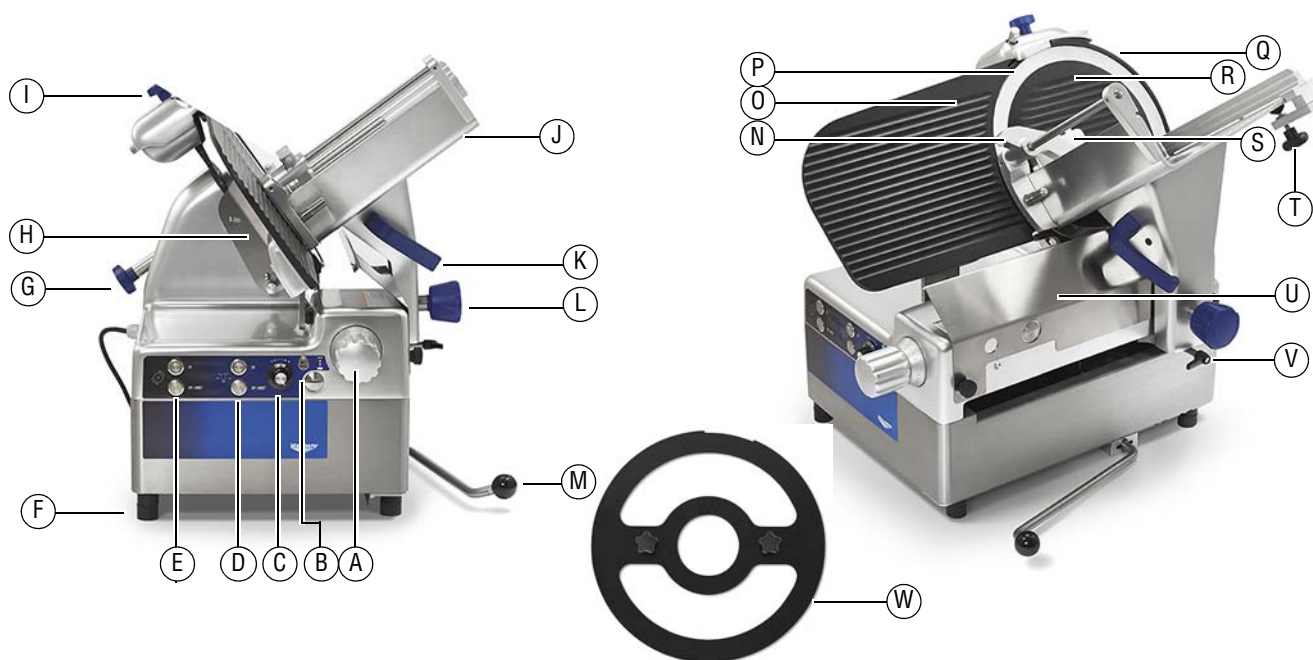
#### Le trancheur doit être placé :

- à 31½" (80 cm) du sol
- à 7½" (20 cm) des murs ou des objets avoisinants pour laisser une place suffisante pour utiliser le trancheur
- à un endroit sec, loin de sources de chaleur et pas dans un couloir.

### Installation

1. Nettoyez l'appareil.  
Avant d'utiliser cet appareil, il doit être minutieusement nettoyé. Voir "Nettoyez et désinfectez le trancheur" à la page 7. Nettoyez les surfaces avant d'utiliser l'appareil sous peine de contamination alimentaire.
2. Branchez l'appareil sur une prise électrique correctement mise à la terre correspondant aux valeurs indiquées sur la plaque signalétique. L'appareil risque d'être abîmé s'il est alimenté par une alimentation non conforme.

## FONCTIONS ET COMMANDES



- A** Bouton de réglage d'épaisseur de tranche
- B** Accès pour lubrifier la glissière de chariot
- C** Réglage de vitesse de chariot
- D** Marche/arrêt automatique du chariot
- E** Boutons marche/arrêt
- F** Pied et espaceur métallique
- G** Bouton de libération du couvre-lame
- H** Protection anti-coupures
- I** Affûteuse de lame
- J** Plateau de chariot
- K** Poignée du chariot
- L** Bouton de libération du chariot
- M** Béquille

- N** Poignée de serrage du produit
- O** Plaque d'épaisseur de tranche
- P** Lame
- Q** Protège-lame
- R** Couvre-lame
- S** Pièce de serrage du produit
- T** Barrière
- U** Barrière de chariot automatique
- V** Verrou de levier du chariot
- W** Outil de dépose de lame sans danger



### ⚠ AVERTISSEMENT

#### Risque de coupure et d'amputation

La lame sur ce trancheur commercial est extrêmement affûtée. Risque de blessures graves si ce produit n'est pas utilisé ou nettoyé avec précaution. Seul un personnel formé doit utiliser l'appareil et effectuer son entretien. Pour réduire le risque de blessures, l'emploi de gants résistant aux coupures est recommandé lors du nettoyage de cet appareil.



### ⚠ AVERTISSEMENT

#### Risque d'électrocution

Empêchez toute infiltration d'eau et d'autres liquides dans l'appareil. L'infiltration de liquide dans l'appareil risque de causer une électrocution. Ne vaporisez pas d'eau ou de produits nettoyants. Du liquide risque d'entrer en contact avec les composants électriques et de causer un court-circuit ou une décharge électrique.

## Inspectez le trancheur

- Inspectez le trancheur pour vous assurer qu'il a été correctement assemblé.
- Vérifiez le serrage complet du bouton de libération du chariot et assurez-vous que le plateau du chariot n'oscille pas. Déplacez doucement le chariot pour vérifier la rétraction complète de la goupille de libération du chariot et vous assurer qu'elle ne frotte pas contre le corps du trancheur.
- Vérifiez que le trancheur est en bon état de fonctionnement.
- N'utilisez pas le trancheur s'il n'est pas en bon état de fonctionnement. Contactez un centre de réparation agréé par Vollrath pour la maintenance du trancheur.

## Fonctionnement manuel

### Chargez le trancheur

1. Vérifiez que le levier du plateau du chariot est en position déverrouillée.



2. Glissez le plateau du chariot jusqu'à la position charger/démarrer (la position la plus proche de l'opérateur).



3. Soulevez la poignée de serrage du produit et placez la pièce à trancher sur le plateau du chariot et en contact avec la plaque d'épaisseur de tranche.
4. Placez la poignée de serrage du produit sur ou derrière la pièce à couper en tranches.
5. Ajustez la barrière pour maintenir le produit fermement en place.
6. Réglez l'épaisseur de tranche souhaitée à l'aide de la commande d'épaisseur de tranche.



7. Appuyez brièvement sur le bouton marche.



### Coupez la pièce en tranches

1. Utilisez la poignée du chariot pour imprimer au plateau du chariot un mouvement de va-et-vient pour couper la pièce en tranches.

### Éteignez le trancheur

1. Mettez la commande de réglage d'épaisseur de tranche à zéro (0) de sorte que la plaque d'épaisseur protège le tranchant de la lame.



2. Appuyez brièvement sur le bouton arrêt.



## ODE D'EMPLOI (SUITE)

### Fonctionnement automatique

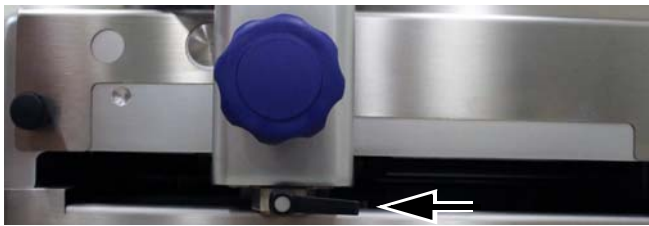
1. Tournez le levier de verrouillage du chariot en position déverrouillée.



2. Glissez le plateau du chariot jusqu'à la position charger/démarrer (la position la plus proche de l'opérateur).



3. Tournez le levier de verrouillage du chariot à la position déverrouillée.



### Chargez le trancheur

1. Posez la pièce à couper en tranches sur le plateau du chariot.

### Coupez la pièce en tranches

1. Tournez la commande de réglage d'épaisseur de tranche à l'épaisseur de tranche souhaitée.



2. Tournez le sélecteur de vitesse à 1.



3. Appuyez brièvement sur le bouton marche. La lame commencera à tourner.



4. Appuyez brièvement sur le bouton marche automatique du chariot. Il pourra y avoir un léger retard durant l'enclenchement du chariot. Une fois enclenché, le plateau du chariot commencera son mouvement de va-et-vient.



5. Ajustez le sélecteur de vitesse à la vitesse souhaitée.

### Éteignez le trancheur

1. Tournez le sélecteur de vitesse à 1.



2. Appuyez brièvement sur le bouton arrêt automatique du chariot.



3. Mettez la commande de réglage d'épaisseur de tranche à zéro (0) de sorte que la plaque d'épaisseur protège le tranchant de la lame.



4. Appuyez brièvement sur le bouton arrêt.



## LUBRIFICATION

Pour garantir un fonctionnement fluide et sûr, lubrifiez le trancheur.

### Glissière du chariot

Lubrifiez la glissière du chariot une fois par mois ou plus souvent si nécessaire. Voir "Lubrifiez la glissière du chariot" à la page 11.



### Glissière de la plaque d'épaisseur de tranche

Lubrifiez la glissière de la plaque d'épaisseur de tranche au moins une fois par jour et après chaque nettoyage avec l'huile fournie avec le trancheur ou un lubrifiant alimentaire.



## INTERRUPTEUR DE RÉARMEMENT POST-SURCHARGE

Si le trancheur est en état de surcharge, les interrupteurs de réarmement arrêtent le trancheur pour protéger le moteur. En cas de surcharge :

1. Appuyez brièvement sur le bouton arrêt.
2. Débranchez le câble électrique du trancheur de la prise électrique.
3. Enlevez les aliments qui ont causé la surcharge. Si nécessaire, nettoyez l'appareil. Voir "Nettoyez et désinfectez le trancheur" à la page 7.
4. Appuyez sur les deux boutons-poussoirs de réinitialisation, sous le trancheur.



5. Rebranchez le câble du trancheur sur la même prise électrique.
6. Appuyez brièvement sur le bouton marche.
7. Si le plateau du chariot ne fonctionne pas en mode automatique, appuyez brièvement sur les deux boutons, sous le trancheur. Si le problème persiste, contactez les services techniques Vollrath.

Un réarmement devrait être une occurrence rare due à la surcharge du trancheur. Contactez un centre de réparation agréé par Vollrath si l'interrupteur s'active souvent en cours d'utilisation normale.

## NETTOYEZ ET DÉSINFECTEZ LE TRANCHEUR



### ⚠ AVERTISSEMENT

#### Risque de coupure et d'amputation

La lame sur ce trancheur commercial est extrêmement affûtée. Risque de blessures graves si ce produit n'est pas utilisé ou nettoyé avec précaution. Seul un personnel formé doit utiliser l'appareil et effectuer son entretien. Pour réduire le risque de blessures, l'emploi de gants résistant aux coupures est recommandé lors du nettoyage de cet appareil.



### ⚠ AVERTISSEMENT

#### Risque d'électrocution

Empêchez toute infiltration d'eau et d'autres liquides dans l'appareil. L'infiltration de liquide dans l'appareil risque de causer une électrocution. Ne vaporisez pas d'eau ou de produits nettoyants. Du liquide risque d'entrer en contact avec les composants électriques et de causer un court-circuit ou une décharge électrique.

**AVIS :** Ce trancheur devra être nettoyé et désinfecté à des intervalles conformes aux codes sanitaires nationaux, provinciaux et/ou locaux.

**AVIS :** Ce trancheur doit être nettoyé et désinfecté à chaque affûtage de la lame.

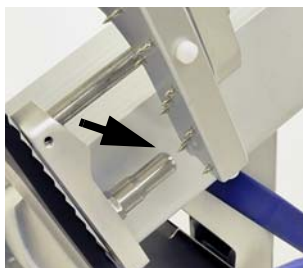
1. Débranchez le trancheur de la prise secteur.
2. Tournez le bouton de réglage d'épaisseur de tranche à droite, au-delà de zéro (0), jusqu'à ce qu'il bute. Cette procédure positionne la plaque d'épaisseur de tranche de sorte à vous protéger de la lame et elle est requise pour permettre le verrouillage du plateau du chariot.



3. Enlevez la barrière.



4. Enlevez la poignée de serrage du produit en commençant par la soulever avant de la tourner pour la positionner devant le plateau du chariot. Remontez la poignée, puis abaissez-la pour positionner l'encoche au-dessus de la goupille. Ceci permet de verrouiller la poignée en place pour faciliter sa dépose.



5. Tournez la poignée pour l'enlever.



6. Tournez le bouton de libération du plateau du chariot jusqu'à ce qu'il soit bien desserré. Remarque : Il n'est pas amovible.



7. Utilisez la poignée du chariot pour tirer fermement (sans forcer) le plateau du chariot vers l'avant jusqu'à ce que vous entendiez un déclic confirmant son verrouillage en place. Remarque : S'il est difficile de verrouiller le plateau du chariot, vérifiez si le bouton de réglage d'épaisseur de tranche est au-delà de zéro, et le plus loin possible à droite. Desserrez davantage le bouton de libération du chariot.



## NETTOYEZ ET DÉSINFECTEZ LE TRANCHEUR (SUITE)

8. Soulevez pour enlever le plateau du chariot.



9. Enlevez la barrière de chariot automatique.



10. Saisissez d'une main le bouton sur le couvre-lame. De l'autre, desserrez et poussez le bouton du couvre-lame pour soulever le couvre-lame de la lame.



11. Soulevez l'affûteuse de lame et tournez-la de 90° dans le sens inverse des aiguilles d'une montre. Soulevez pour la déposer.



12. Enlevez la protection anti-coupures.



13. Utilisez un chiffon propre pour enlever tous les résidus alimentaires grossiers et les liquides des surfaces du trancheur.

### Nettoyez le trancheur

**AVIS :** Ne nettoyez pas l'appareil avec un produit abrasif ou des nettoyants qui rayent, sous peine d'endommager la finition. Nettoyez le trancheur seulement avec de l'eau, un détergent doux et une solution désinfectante.

**AVIS :** Lavez exclusivement à la main.

**AVIS :** Ne faites PAS TREMPER l'affûteuse.

**AVIS :** NE LAVEZ PAS les pierres d'affûtage. Les pierres mouillées n'affûteront pas correctement la lame et devront être remplacées.

1. Lavez les pièces amovibles dans une bassine propre remplie d'une solution d'eau chaude propre et de détergent doux.
2. Rincez les pièces à l'eau propre.
3. Utilisez un chiffon doux, de l'eau chaude propre et un détergent doux pour nettoyer les pièces inamovibles du trancheur :
  - L'avant et l'arrière de la lame. Démarrez au centre de la lame et essuyez vers le bord.



- Protège-lame. En partant de l'arrière du protège-lame, essuyez avec précaution son bord intérieur.



- Plaque d'épaisseur de tranche. Démarrez à la lame et essuyez vers l'extérieur.



- Corps du trancheur.



4. Rincez les pièces inamovibles du trancheur à l'eau chaude propre.



## NETTOYEZ ET DÉSINFECTEZ LE TRANCHEUR (SUITE)

### Désinfectez le trancheur

**AVIS :** La concentration de désinfectant devra être conforme à Section 4-501.114, Manual and Mechanical Warewashing Equipment, Chemical Sanitization – Temperature, pH, Concentration, and Hardness (Section 4-501.114, Equipement de lavage manuel et mécanique, Désinfection chimique – Température, pH, concentration et dureté) du Code des aliments de la FDA.

**AVIS :** Si un désinfectant chimique autre que le chlore, l'iode ou l'ammonium quaternaire est utilisé, il devra être appliqué conformément au mode d'emploi de l'étiquette enregistrée auprès de l'EPA.

1. Lavez-vous les mains.
2. Faites tremper les pièces amovibles dans une bassine propre contenant une solution d'eau chaude propre et une solution désinfectante diluée à la bonne concentration.
3. Enlevez les pièces de la bassine et laissez-les sécher à l'air. Ne rincez ou n'essuyez pas le désinfectant des pièces.
4. Humectez un chiffon doux propre avec une solution désinfectante correctement diluée.
5. Utilisez le chiffon pour désinfecter les pièces inamovibles et le corps du trancheur. Reportez-vous à l'étape 3 sous « Nettoyez le trancheur ». Ne rincez ou n'essuyez pas le désinfectant des pièces.

### Remontez le trancheur

1. Installez la protection anti-coupures.
2. Installez la barrière de chariot automatique.
3. Positionnez le couvre-lame de sorte que son bouton soit en bas, comme illustré ci-dessous. Installez le bouton du couvre-lame et fixez le couvre-lame.



4. Installez le plateau du chariot et serrez son bouton de libération à fond.

**AVIS :** Le serrage insuffisant du bouton risque de causer l'oscillation du plateau du chariot et l'endommagement résultant de la plaque d'épaisseur de tranche ou du corps du trancheur.

5. Installez la poignée de serrage du produit.
6. Installez l'affûteuse de lame.
7. Installez la barrière.
8. Lubrifiez la glissière de la plaque d'épaisseur de tranche avec l'huile fournie avec le trancheur ou un lubrifiant alimentaire.



### Inspectez le trancheur

- Inspectez le trancheur pour vous assurer qu'il a été correctement assemblé.
- Vérifiez le serrage complet du bouton de libération du chariot et assurez-vous que le plateau du chariot n'oscille pas. Déplacez doucement le chariot pour vérifier la rétraction complète de la goupille de libération du chariot et vous assurer qu'elle ne frotte pas contre le corps du trancheur.
- Vérifiez que le trancheur est en bon état de fonctionnement.
- N'utilisez pas le trancheur s'il n'est pas en bon état de fonctionnement. Contactez un centre de réparation agréé par Vollrath pour la maintenance du trancheur.

## DÉPOSE DE LAME SANS DANGER

1. Débranchez le trancheur de la prise secteur.
2. Enlevez le couvre-lame.
3. Nettoyez l'avant de la lame. Voir « Nettoyez le trancheur », à la page 9.
4. Enlevez l'affûteuse.
5. Faites tourner la lame de sorte que les trous de vis soient parallèles à la base du trancheur.
6. Placez l'outil de dépose de lame sans danger sur la lame et alignez les deux boutons de l'outil sur ceux de la lame.  
**Astuce :** tournez l'outil de sorte que l'étiquette d'avertissement se trouve en haut de l'outil et l'encoche autour de la protubérance qui dépasse du protège-lame.
7. Serrez les boutons pour attacher l'outil sur la lame.



8. Enlevez les vis qui fixent la lame au trancheur.



9. Soulevez l'outil de dépose de lame sans danger pour déposer la lame.



10. Utilisez une brosse pour nettoyer tous les débris du point où la lame est attachée au corps du trancheur.



11. Inversez la procédure pour réinstaller la lame. Vérifiez que la lame est installée à plat contre la poulie.
12. Branchez le trancheur dans la prise secteur.

## MAINTENANCE

### Calendrier

Procédure	Une fois par jour	Une fois par mois
Inspectez le trancheur avant chaque utilisation	X	
Affûtez la lame	X	
Nettoyez et désinfectez le trancheur	X	
Lubrifiez la glissière de la plaque d'épaisseur de tranche	X	
Lubrifiez la glissière du chariot		X

### Affûtez la lame

Affûtez la lame une fois par jour ou chaque fois que la coupe devient difficile et/ou produit des déchets en grandes quantités. Le trancheur doit être considéré et traité comme un couteau : s'il n'est pas correctement affûté, les résultats de coupe seront médiocres et le trancheur sera en état de surcharge.



### ⚠ AVERTISSEMENT

#### Risque de coupure et d'amputation

La lame sur ce trancheur commercial est extrêmement affûtée. Risque de blessures graves si ce produit n'est pas utilisé ou nettoyé avec précaution. Seul un personnel formé doit utiliser l'appareil et effectuer son entretien. Pour réduire le risque de blessures, l'emploi de gants résistants aux coupures est recommandé lors du nettoyage de cet appareil.

**AVIS :** Utilisez l'affûteuse intégrée pour affûter la lame. Ne déposez pas la lame pour l'affûter.

**AVIS :** Ne lubrifiez pas l'affûteuse de lame.

1. Mettez le bouton de réglage d'épaisseur de tranche à zéro (0).
2. Appuyez brièvement sur le bouton arrêt.



3. Débranchez le trancheur de la prise secteur.
4. Nettoyez la lame pour enlever la graisse et les particules alimentaires.
5. Soulevez l'affûteuse de lame et tournez-la de 180° dans le sens inverse des aiguilles d'une montre. Positionnez l'affûteuse de sorte que la lame se trouve entre les pierres d'affûtage.



6. Branchez le trancheur dans la prise secteur.
7. Appuyez brièvement sur le bouton marche.

8. Appuyez en continu sur le bouton de la pierre d'affûtage. Laissez tourner la lame contre la pierre d'affûtage pendant 30-40 secondes. Relâchez le bouton. L'affûtage correct de la lame devrait produire des étincelles. Si l'affûtage ne produit pas d'étincelles, reportez-vous à la section « Dépannage ».



9. Appuyez simultanément sur les boutons de pierre d'affûtage et de pierre d'ébarbage pendant 3-4 secondes. Relâchez les boutons.

**AVIS :** Une pression sur les boutons pendant plus de 3-4 secondes risque de courber la lame, ce qui peut endommager le trancheur.



10. Appuyez brièvement sur le bouton arrêt et débranchez le trancheur.
11. Remettez l'affûteuse dans sa position initiale.
12. Nettoyez le trancheur. Voir "Nettoyez et désinfectez le trancheur" à la page 7.

### Lubrifiez la glissière du chariot

Lubrifiez la glissière du chariot au moins une fois par mois et chaque fois qu'il devient difficile de pousser le plateau.

**AVIS :** Utilisez l'huile fournie avec le trancheur ou un lubrifiant alimentaire. N'UTILISEZ PAS d'huile végétale ou d'huile contenant du silicone. NE PULVÉRISEZ PAS d'huile sur les composants du trancheur. L'huile pulvérisée peut atteindre des zones du trancheur qui ne doivent pas être lubrifiées.

1. Appuyez brièvement sur le bouton arrêt.
2. Débranchez le trancheur de la prise secteur.
3. Tirez le chariot à fond vers l'avant. Ceci permet d'aligner la glissière du chariot sur le trou d'accès à l'huile (OIL) sur l'avant du trancheur. Si la glissière n'est pas alignée, de l'huile coulera et s'accumulera sous le trancheur.
4. Mettez quelques gouttes d'huile fournie avec le trancheur dans le trou d'accès à l'huile de la glissière du chariot (OIL) sur l'avant du trancheur.



---

## DÉPANNAGE

---

Problème	Cause possible	Mesure corrective
Mauvaise performance de coupe.	La lame doit être affûtée.	Affûtez la lame.
Mauvaise performance de coupe malgré un affûtage régulier de la lame.	Procédure d'affûtage incorrecte.	Répétez la procédure d'affûtage. Appuyez sur le bouton de la pierre d'affûtage pendant quelques secondes de plus pour permettre à des bavures de se former sur la lame. Si le problème persiste, contactez les services techniques Vollrath.
Pas d'étincelles en cours d'affûtage.	Les pierres d'affûtage doivent être remplacées.	Remplacez les pierres.
Pierres d'affûtage sales.	La lame n'a pas été nettoyée avant affûtage.	Remplacez les pierres.
Le réarmement post-surcharge s'active trop souvent.		Contactez le support technique Vollrath.
La plaque d'épaisseur de tranche est difficile à régler.	La glissière de la plaque d'épaisseur de tranche doit être lubrifiée.	Lubrifiez la glissière de la plaque d'épaisseur de tranche avec l'huile fournie avec le trancheur ou un lubrifiant alimentaire. Voir page 6.

---

## SAV ET RÉPARATIONS

---

Des pièces détachées sont disponibles sur [Vollrath.com](http://Vollrath.com).

Pour éviter toute blessure grave ou tout dommage sévère, n'essayez jamais de réparer l'appareil ou de remplacer vous-même un cordon d'alimentation endommagé. N'envoyez aucun appareil directement à la Vollrath Company LLC. Pour des instructions, contactez les services techniques de Vollrath.

Lorsque vous contacterez les services techniques de Vollrath, tenez-vous prêt à fournir le numéro d'article, le numéro de modèle (s'il y a lieu), le numéro de série et le justificatif d'achat indiquant la date d'achat de l'appareil.

---

## GARANTIE DE THE VOLLRATH CO. L.L.C.

---

Cette garantie ne s'applique pas aux produits achetés pour un usage personnel, familial ou ménager, et The Vollrath Company LLC ne propose aucune garantie écrite aux acheteurs pour de telles utilisations.

The Vollrath Company L.L.C. garantit que les produits qu'elle fabrique et distribue seront dépourvus de vices de matériaux et de malfaçons, comme indiqué dans notre déclaration complète de garantie. Dans tous les cas, la garantie entre en vigueur à la date d'achat par l'utilisateur initial indiquée sur le reçu. Tous les dommages subis lors d'une utilisation impropre ou abusive, ou résultant d'une modification ou d'un emballage inadéquat lors d'un renvoi du produit pour une réparation sous garantie ne seront pas couverts par la garantie.

Pour des informations complètes sur la garantie, l'enregistrement des produits et l'annonce de nouveaux produits, consultez [www.vollrath.com](http://www.vollrath.com).



Outperform every day.™

[www.vollrath.com](http://www.vollrath.com)

### The Vollrath Company, L.L.C.

1236 North 18th Street  
Sheboygan, WI 53081-3201 États-Unis  
Standard : 800.624.2051 ou 920.457.4851  
Télécopieur : 800.752.5620 ou 920.459.6573  
Service clientèle : 800.628.0830  
Service clientèle Canada : 800.695.8560

### Services techniques

[techservicereps@vollrathco.com](mailto:techservicereps@vollrathco.com)  
Produits à induction : 800.825.6036  
Réchauds de comptoir : 800.354.1970  
Tous les autres produits : 800.628.0832