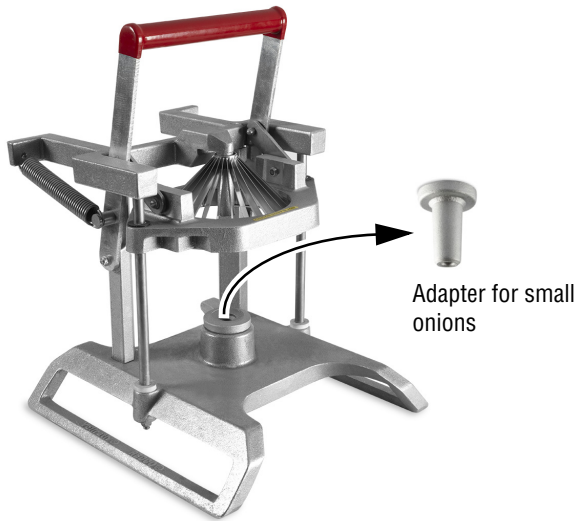




Project:
Item Number:
Quantity:

INSTABLOOM™ II ONION CUTTER



ITEM

Item No.	Description
15604	InstaBloom™ II Onion Cutter

FEATURES

- Cuts onions up to 20 oz. (566 g)
- Includes adapter for cutting small onions
- Lower profile takes up less storage space
- Designed for two-handed ergonomic, easy leverage operation
- Spring loaded handles return to the ready position
- Rubber feet help keep the equipment in place

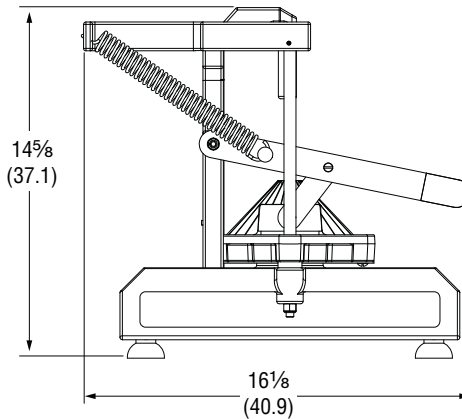
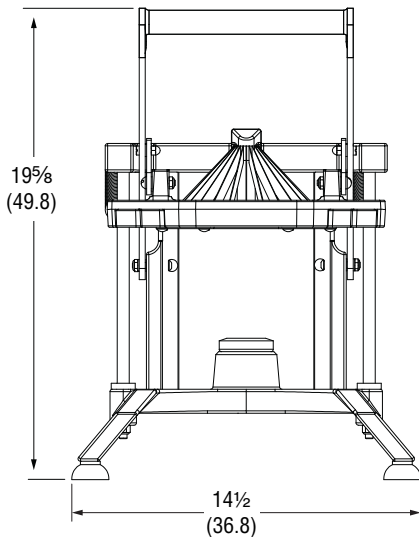
ACCESSORIES

- 379058** Replacement small onion adapter

WARRANTY

2 year parts and service warranty. Does not cover the blade assembly. See Vollrath.com for details.

DIMENSIONS



AGENCY LISTINGS



Due to continued product improvement, please consult www.vollrath.com for current product specifications.

Approvals	Date



www.vollrath.com

The Vollrath Company, L.L.C.
 1236 North 18th Street
 Sheboygan, WI 53081-3201 U.S.A.
 Main Tel: 800.624.2051 or 920.457.4851
 Main Fax: 800.752.5620 or 920.459.6573
 Customer Service: 800.628.0830
 Canada Customer Service: 800.695.8560

Technical Services
techservicereps@vollrathco.com
 Induction Products: 800.825.6036
 Countertop Warming Products: 800.354.1970
 All Other Products: 800.628.0832