

Project:

Item Number:

Quantity:

ONE-PIECE COLOR-CODED NSF THUMB DISHERS



One-Piece Color-Coded NSF Thumb Dishers

DESCRIPTION

Vollrath's one-piece, color-coded NSF certified thumb dishers provide perfect portion control in nine bowl sizes. **These dishers are not recommended for ice cream or other hard, frozen foods.**

PRODUCT SPECIFICATION: DOMESTIC NSF DISHERS

Dishers to be constructed of a fully color-coded polypropylene handle with component parts to be made from stainless steel. Handle shall have ribbed surface and built-in stopper notch to prevent slippage. Handle equipped with antimicrobial protection. Handle construction shall be a one-piece design with no crevices to collect water or bacteria. Each size disher to have a different handle color to denote capacity. Bowl dimensions shall be exact to insure consistent capacities within 5%. Capacities must be clearly stamped on the top side of the gear rack for easy identification; disher number to be stamped on the sweep. Dishers must have a limited lifetime warranty. Made in U.S.A. NSF certified.

Agency Listings



Due to continued product improvement, please consult vollrathfoodservice.com for current product specifications.

MODELS

Item No	Size (Approximate Servings per QT.)	Color
47139	6	White
47140	8	Gray
47141	10	Ivory
47142	12	Green
47143	16	Dark Blue
47144	20	Yellow
47145	24	Red
47146	30	Black
47147	40	Orchid

FEATURES

- Molded one-piece handle improves durability, makes cleaning easy and prevents handle from coming apart
- Color-coded handle for no guess size selection
- Coated handles are equipped with antimicrobial protection for food safety
- Extended grooved handle provides a sure grip for comfortable use
- Stainless steel bowl and components prevent corrosion and insure longer life
- Blade extends beyond bowl to prevent sticking
- Dishwasher safe

WARRANTY: All models shown are part of the Jacob's Pride® Collection and feature a Limited Lifetime Warranty. For full warranty details, please refer to the Vollrath Equipment and Smallwares Catalog.

Approvals	Date

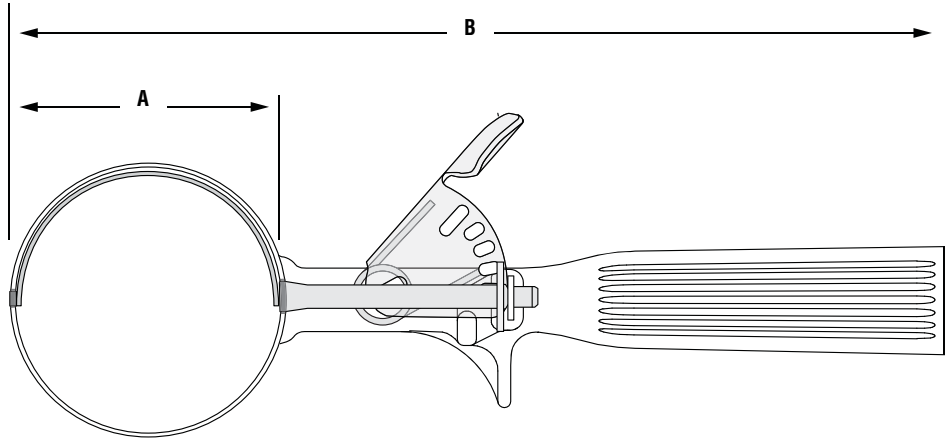
ONE-PIECE COLOR-CODED NSF THUMB DISHERS

MODELS

Item No	Size	Color	Item No	Size	Color
47139	6	White	47144	20	Yellow
47140	8	Gray	47145	24	Red
47141	10	Ivory	47146	30	Black
47142	12	Green	47147	40	Orchid
47143	16	Dark Blue			

DIMENSIONS

Dimensions shown in inches (cm).



SPECIFICATIONS

Item No.	Color	Size (Approximate Servings per QT.)	Approximate Capacity		Dimensions		Case Lot
			Fluid OZ (ML)	Cup/Teaspoon/Teaspoon	(A) IN (CM)	(B) IN (CM)	
47139	White	6	5½ (157.7)	⅓	3⅝ (7.9)	9⅞ (25)	12
47140	Gray	8	4 (118.3)	½	2⅞ (7.1)	9⅞ (24.3)	12
47141	Ivory	10	3¼ (96.1)	⅔	2⅝ (6.7)	9⅞ (23.8)	12
47142	Green	12	2⅔ (79)	⅓	2⅞ (6.2)	9⅞ (23.3)	12
47143	Dark Blue	16	2 (59.1)	¼	2⅞ (5.6)	8⅞ (22.8)	12
47144	Yellow	20	1⅞ (48.1)	¾ Tablespoons	2 (5.2)	8¾ (22.3)	12
47145	Red	24	1⅞ (39.4)	8 Teaspoons	1⅞ (4.8)	8⅞ (22)	12
47146	Black	30	1 (29.6)	6 Teaspoons	1¾ (4.4)	8½ (21.6)	12
47147	Orchid	40	¾ (22.2)	4½ Teaspoons	1⅞ (4)	8⅞ (21.1)	12



The Vollrath Company, L.L.C.
 1236 North 18th Street
 Sheboygan, WI 53081-3201 U.S.A.
 Customer Service: 800.628.0830
 Canada Customer Service:
 800.695.8560 Main Fax:
 800.752.5620 or 920.459.6573

Technical Services:
 800.628.0832 Technical Services
 Fax: 920.459.5462