



Project:

Item Number:

Quantity:

ALUMINUM PANINI SANDWICH GRILL



DESCRIPTION

Vollrath® Aluminum Sandwich Grills are designed for fast, delicious production of quesadillas, Texas Toast, specialty grilled cheeses, a wide variety of melts, and just about any other fish, chicken, meat, or vegetable you can imagine. The Super-Size grill has the largest cooking area and is also great for pressing and warming tortillas, flatbread, pitas, and naan.

AGENCY LISTINGS



Classified by UL to NSF/ANSI 4

* Only applies to Canada models.

Due to continued product improvement, please consult vollrathfoodservice.com for current product specifications.

ITEMS

Item No	Model No.	Description
PSG4-SSF120	TS17021	Super-Size Aluminum, Flat Plate*
PSG4-SSF120-C	TS17021-C	Super-Size Aluminum, Flat Plate**

*US Only

**US and Canada

FEATURES & BENEFITS

- Pivot-action top plate accommodates various food thicknesses for an even press.
- Aluminum plates reach temperature and recover quickly, while evenly distributing heat.
- Thermostatically-controlled temperature range from 125 °F (51 °C) – 500 °F (260 °C) creates precise results.
- Lighted Power Switch and Ready Light illuminate to let you know the unit is on and has reached the set temperature.
- High-power heating element design creates efficient, even heating and consistent results.
- Low-profile, brushed stainless steel body with smooth plates fits seamlessly with your kitchen and cleans easily.
- Drip tray is easy to remove and clean.
- 4 ft. (1.2 m) cord length facilitates location options.

WARRANTY

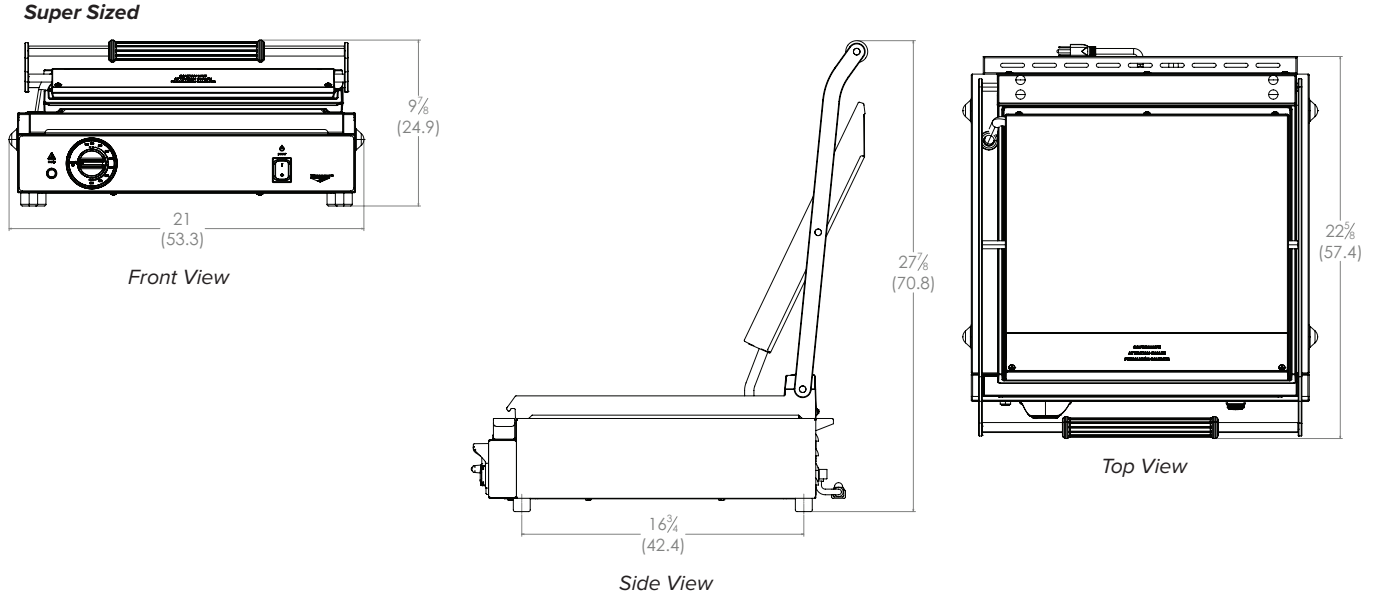
All models shown come with Vollrath's 1-year standard warranty against defects in materials and workmanship. For full warranty details, please refer to vollrathfoodservice.com.

Approvals	Date

ALUMINUM PANINI SANDWICH GRILL

DIMENSIONS

Shown in inches (cm)



SPECIFICATIONS

Item No.	Description	Cooking Area		Leg Depth	Amps	Watts	Volts	HZ	Plug
		Width	Depth						
PSG4-SSF120	Super-Size	17 (43.1)	16 (40.6)	16 3/4 (42.4)	15	1800	120	50/60	NEMA 5-15P
PSG4-SSF120-C	Super-Size	17 (43.1)	16 (40.6)	16 3/4 (42.4)	15	1800	120		NEMA 5-20P

Receptacles

