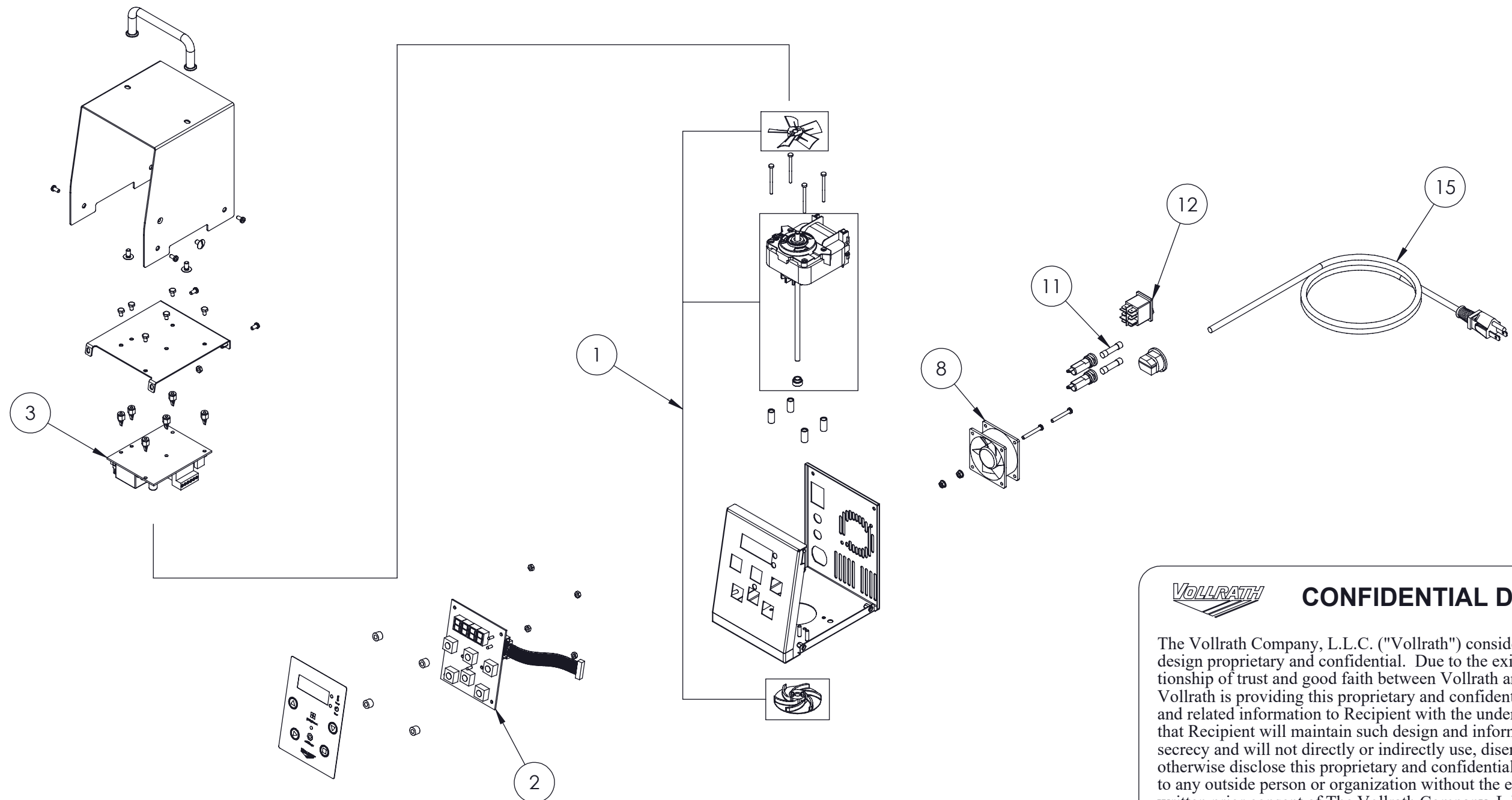




**SOUS VIDE CONTROL HEAD W/PLATE**

ITEM NO.	PART NUMBER	DESCRIPTION	QTY.
1	XSVM00001	KIT - CIRCULATOR MOTOR, 120V	1
2	XSVM00002	DIGITAL DISPLAY BOARD	1
3	XSVM00003	POWER BOARD, 120V	1
8	XSVM00008	COOLING FAN	1
12	XSVM00012	POWER SWITCH	1
15	XSVM00015	POWER CORD, 120V	1
11	XSVM00011	16A FUSE	2



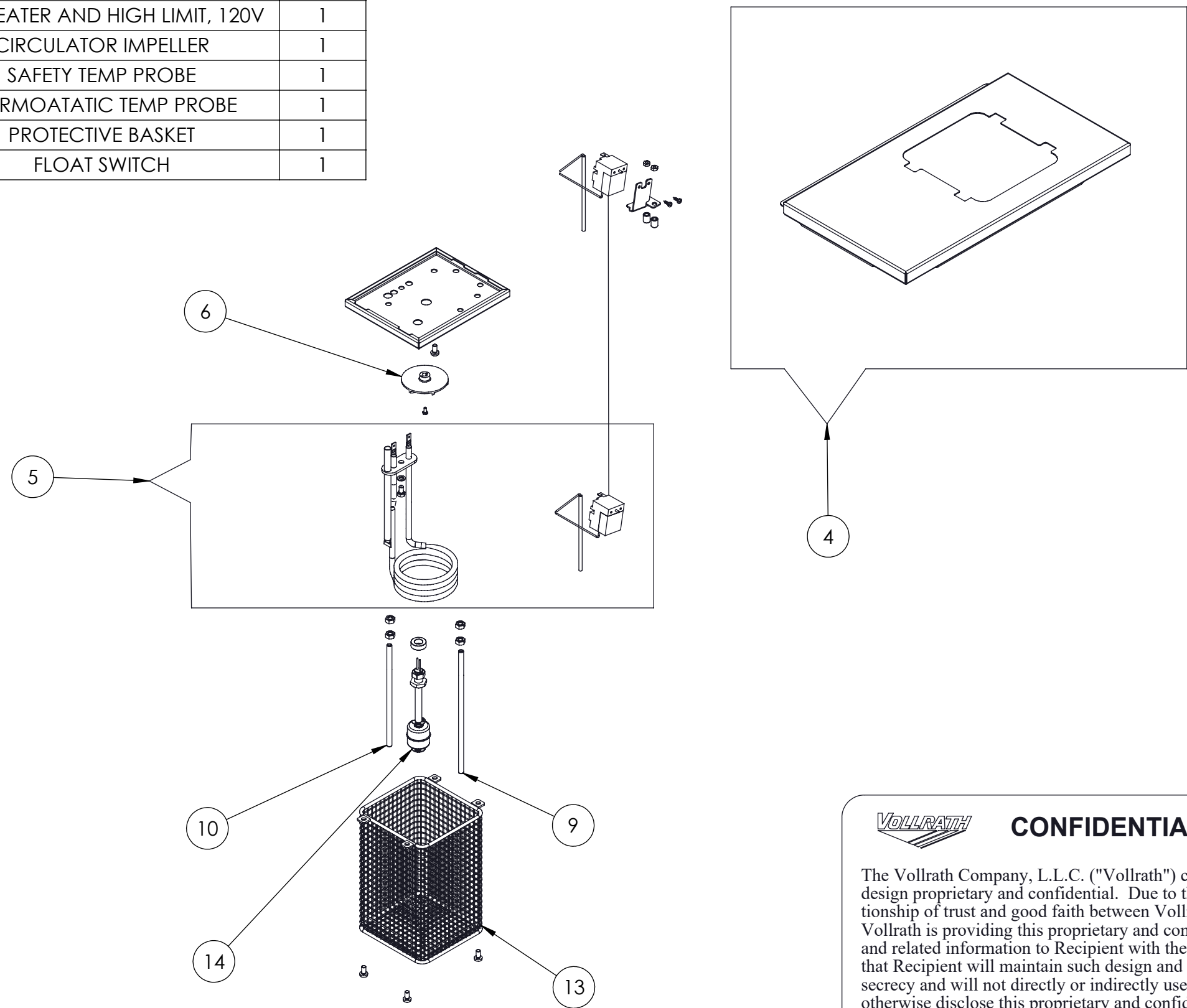
**VOLLRATH CONFIDENTIAL DESIGN**

The Vollrath Company, L.L.C. ("Vollrath") considers this new design proprietary and confidential. Due to the existing relationship of trust and good faith between Vollrath and Recipient, Vollrath is providing this proprietary and confidential design and related information to Recipient with the understanding that Recipient will maintain such design and information in secrecy and will not directly or indirectly use, disseminate, or otherwise disclose this proprietary and confidential information to any outside person or organization without the express written prior consent of The Vollrath Company, L.L.C.



**SOUS VIDE CONTROL HEAD W/PLATE**

ITEM NO.	PART NUMBER	DESCRIPTION	QTY.
4	XSVM00004	BATH SUPPORT PLATE	1
5	XSVM00005	KIT - HEATER AND HIGH LIMIT, 120V	1
6	XSVM00006	CIRCULATOR IMPELLER	1
9	XSVM00009	SAFETY TEMP PROBE	1
10	XSVM00010	THERMOATATIC TEMP PROBE	1
13	XSVM00013	PROTECTIVE BASKET	1
14	XSVM00014	FLOAT SWITCH	1



**VOLLRATH CONFIDENTIAL DESIGN**

The Vollrath Company, L.L.C. ("Vollrath") considers this new design proprietary and confidential. Due to the existing relationship of trust and good faith between Vollrath and Recipient, Vollrath is providing this proprietary and confidential design and related information to Recipient with the understanding that Recipient will maintain such design and information in secrecy and will not directly or indirectly use, disseminate, or otherwise disclose this proprietary and confidential information to any outside person or organization without the express written prior consent of The Vollrath Company, L.L.C.