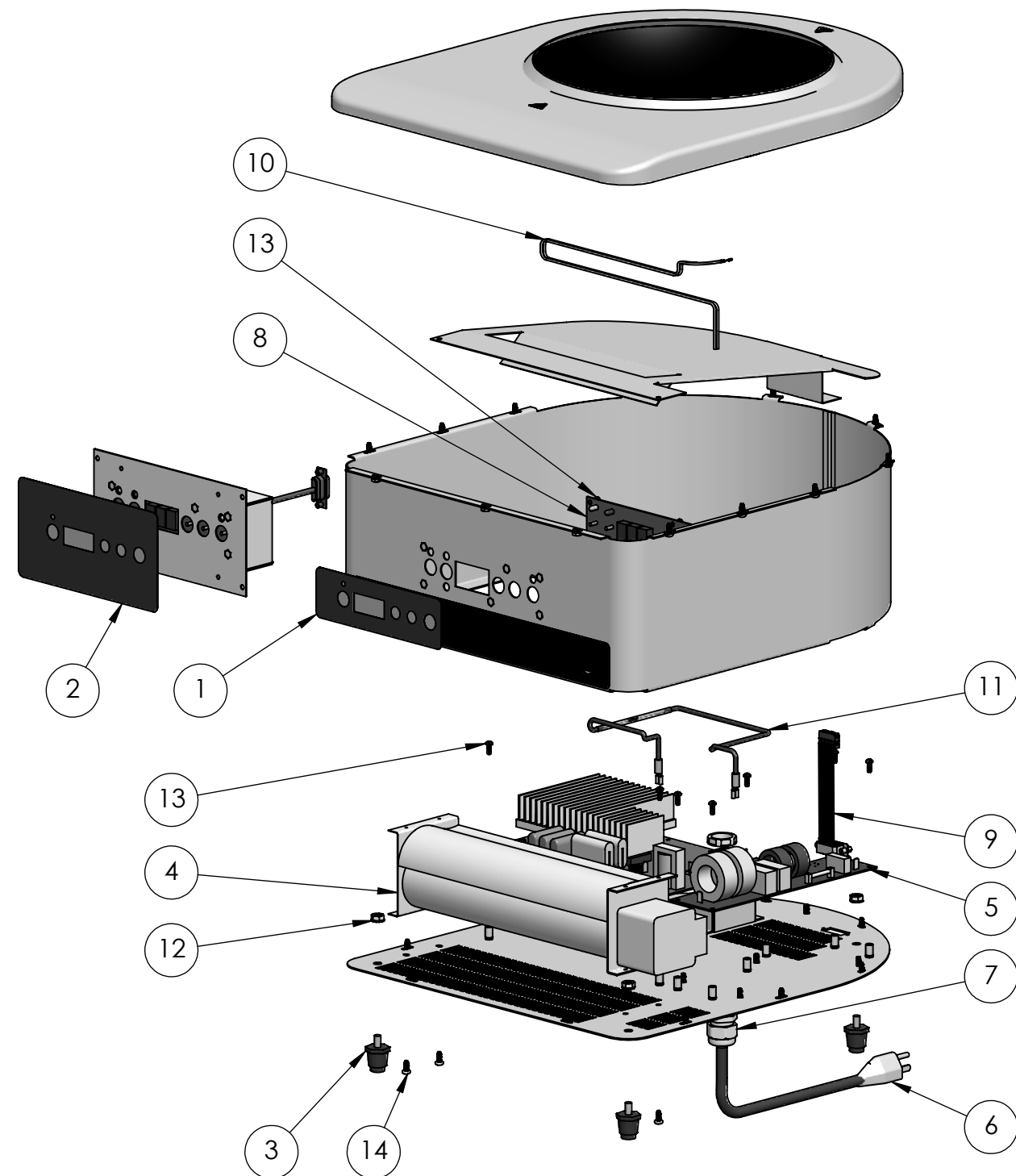


REPLACEMENT PARTS

ITEM NO.	PART NUMBER	DESCRIPTION	QTY
1	25031-1	INDUCTION WOK CONTROL FASCIA	1
2	352567-1	IND WOK REMOTE CONTROL FASCIA	1
3	250805-1	63-7002-PLASTIC FEET	4
4	250455-1	EUCANIA FANS	1
5	352565-1	EMI AND POWER BOARD KIT	1
6	251552-1	68-0123 208V CORDS	1
7	352344-1	1/2 STRAIN RELIEF AND LOCK NUT KIT	1
8	23521-1	DISPLAY BOARD 17.09.08	1
9	352571-1	SPLIT CONTROL CABLE	1
10	43523-2	HIGH TEMP THERMISTOR ASSY	1
11	26113-1	THERMOFUSE ASSEMBLY	1

**FASTENERS
(GENERAL SPECIFICATION)**

ITEM NO.	DESCRIPTION
12	1/4-20 HEX NUT W/TOOTHWASHER
13	M4X10MM MACHINE SCREW
14	M4X10 THREAD CUTTING SCREW



OPENING THE UNIT VOIDS WARRANTY