



Project:

Item Number:

Quantity:

4-Series Stainless Steel Prep Table with Sink

The Vollrath Company, L.L.C.

**4-SERIES STAINLESS STEEL PREP TABLE WITH SINK**



Model shown includes left side sink, bottom shelf, and backsplash.

**DESCRIPTION**

The Vollrath® 4-Series back-of house worktables bring durability to the commercial kitchen. You can choose from multiple pre-designed configurations with a handful of customizable features, such as shelving or enclosed cabinets, for the ideal back-of-house setup.

**Note:** Custom orders cannot be canceled or returned.

**WARRANTY**

All models shown come with Vollrath's standard warranty against defects in materials and workmanship. For full warranty details, please refer to [www.Vollrath.com](http://www.Vollrath.com).

**STANDARD FEATURES (SEE BACK FOR SPECS)**

- Available in lengths between 36 and 144 inches, in 12-inch increments
- Choose from 30-, or 36-inch depths
- Your choice of open or enclosed base
- Can be constructed of 14- or 16-gauge stainless steel
- Optional adjustable stainless steel shelf for additional storage
- Optional four-inch stainless steel backsplash
- 10-inch-deep single bay integrated welded sinks can be added and placed in left, right, or center position
- 1 5/8" diameter legs with 1" adjustable stainless bullet feet

**CUSTOMIZE YOUR TABLE:**

Vollrath offers options to customize your work table to fit almost any application. To customize your work table enter data about your project and select from the options below. Contact your Vollrath representative for customizations not listed below.

**Note:** Custom orders require sign off on drawings prior to production. Drawings will be started at the time of order.

Length:

Number of Supports:

Gauge:

Bottom Shelf:

Support Type:

Other Custom Information:

Approvals	Date

*Due to continued product improvement, please consult [www.vollrath.com](http://www.vollrath.com) for current product specifications.*



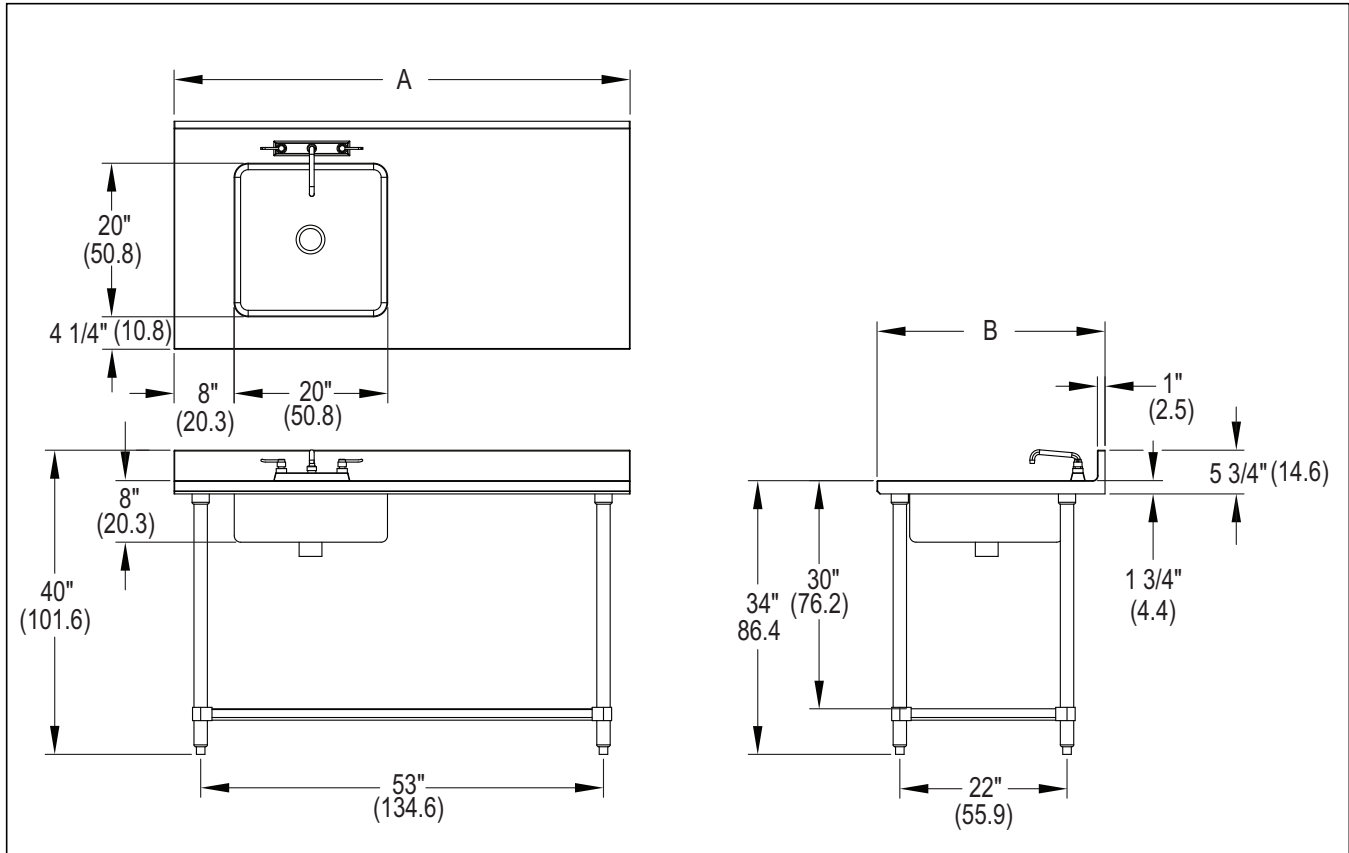
[www.vollrath.com](http://www.vollrath.com)

The Vollrath Company, L.L.C.  
1236 North 18th Street  
Sheboygan, WI 53081-3201 U.S.A.  
Customer Service: 800.628.0830  
Canada Customer Service: 800.695.8560  
Main Fax: 800.752.5620 or 920.459.6573

Technical Services: 800.628.0832  
Technical Services Fax: 920.459.5462

# 4-SERIES STAINLESS STEEL PREP TABLE WITH SINK

## DIMENSIONS Shown in inches (cm)



## ITEM NUMBER CONFIGURATION

Step 1		Step 2		Step 3	Step 4		Step 5	
Choose Overall Length (A)		Choose Overall Depth (B)		Choose Counter Gauge	Choose Bottom Shelf		Choose Sink Position	
Length	Model Number	Depth	Suffix	Gauge	Option	Suffix	Position	Suffix
36 (91.4)	SS-4WT-36	30 (76.2)	30	16	None	-O	Right	R
48 (121.9)	SS-4WT-48	36 (91.4)	36	14	Bottom Shelf	-B	Left	L
60 (152.4)	SS-4WT-60						Center	C
72 (182.9)	SS-4WT-72							
84 (213.3)	SS-4WT-84							
96 (243.8)	SS-4WT-96							
108 (274.3)	SS-4WT-108							
120 (304.8)	SS-4WT-120							
132 (335.2)	SS-4WT-132							
144 (365.8)	SS-4WT-144							

Example of item number:

SS-4PT-483016-OR      48"x30" Open Base Prep Table with 16 Gauge Top, No Bottom Shelf, Sink Right.  
 SS-4PT-963014-BL      96"x30" Open Base Prep Table with 16 Gauge Top, Bottom Shelf, Sink Left.  
 SS-4PT-723614-OC      72"x36" Open Base Prep Table with 14 Gauge Top, No Bottom Shelf, Sink Center.



[www.vollrath.com](http://www.vollrath.com)

The Vollrath Company, L.L.C.  
 1236 North 18th Street  
 Sheboygan, WI 53081-3201 U.S.A.  
 Customer Service: 800.628.0830  
 Canada Customer Service: 800.695.8560  
 Main Fax: 800.752.5620 or 920.459.6573

Technical Services: 800.628.0832  
 Technical Services Fax: 920.459.5462