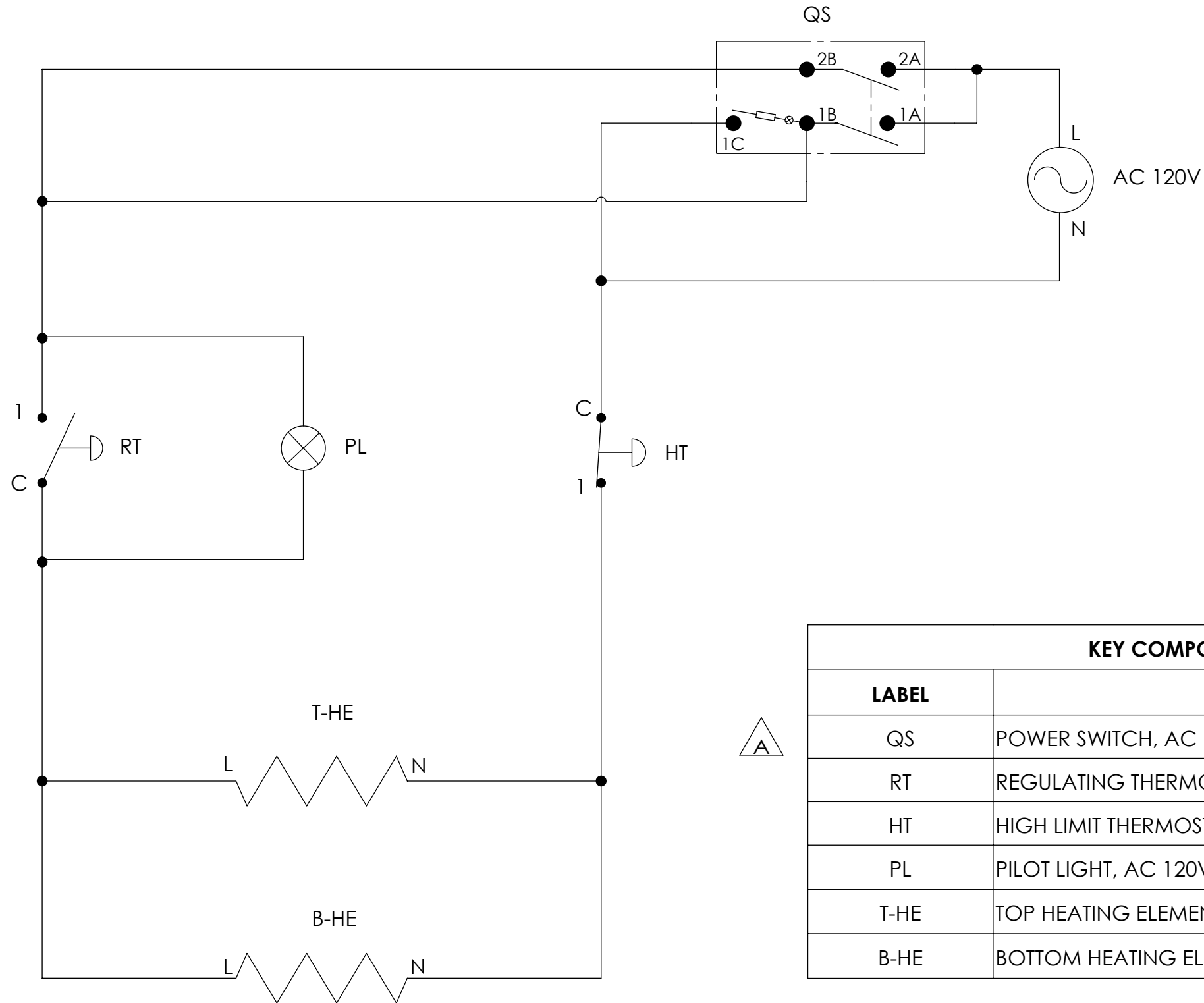
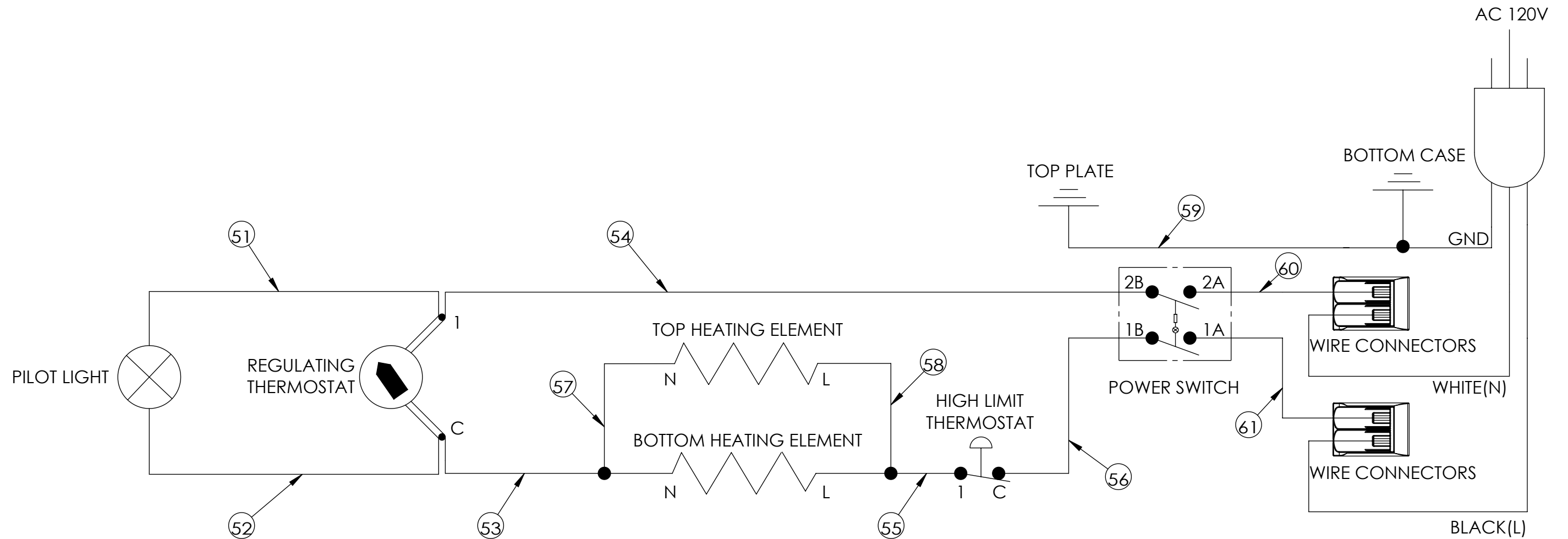


NOTE: FOR POWER SWITCH, AS SHOWN IN THE TABLE BELOW.

ITEM	SERIAL NUMBER (YDDD)	DIAGRAM PAGES
ALL	CURRENT PRODUCTION	1-2
PSG4-SSF120	UP TO O164	3-4
PSG4-SSF120-C	UP TO O018	

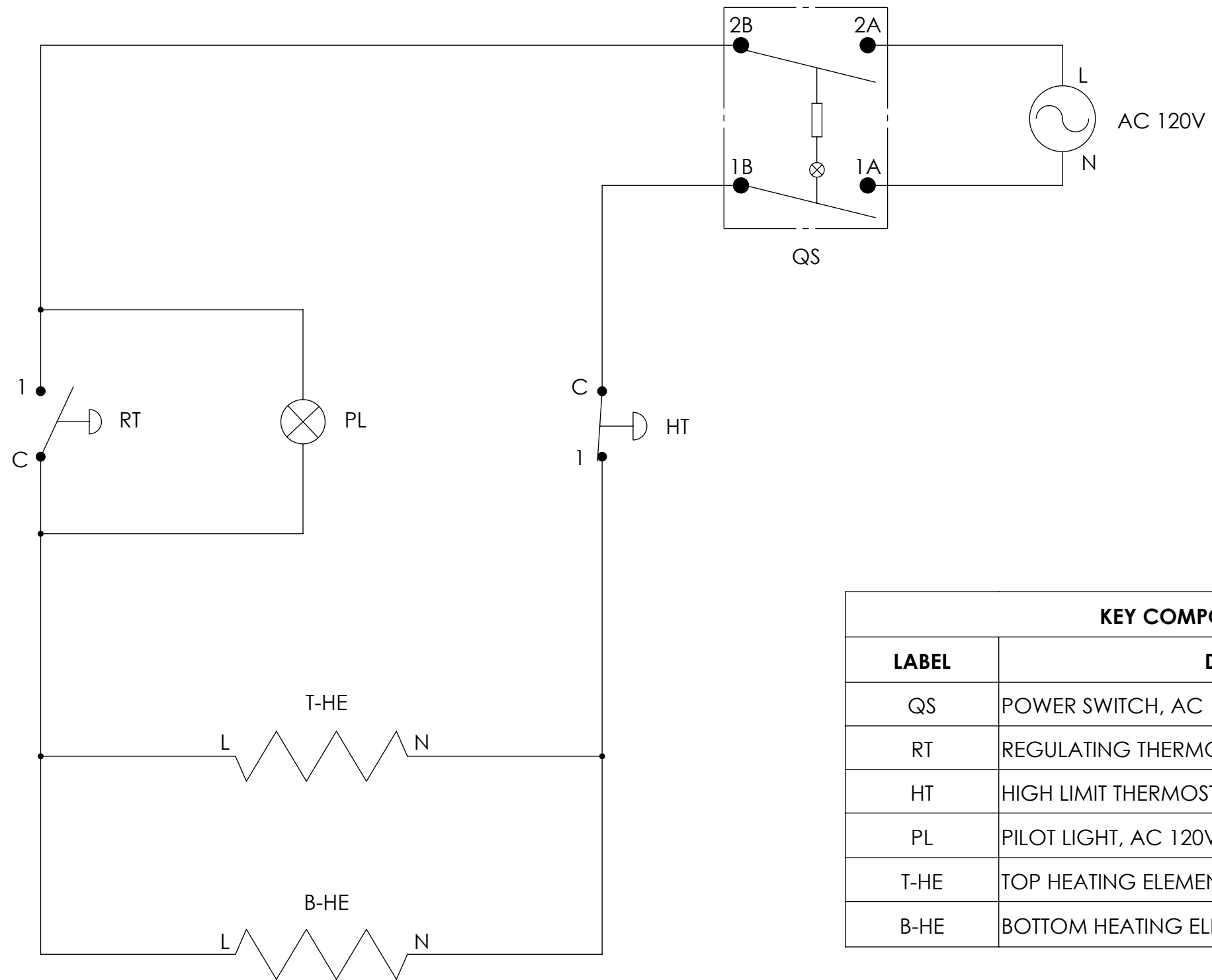


KEY COMPONENTS	
LABEL	DESCRIPTION
QS	POWER SWITCH, AC 120V, 20A, DPST-P
RT	REGULATING THERMOSTAT
HT	HIGH LIMIT THERMOSTAT
PL	PILOT LIGHT, AC 120V, GREEN
T-HE	TOP HEATING ELEMENT, AC 120V, 800W
B-HE	BOTTOM HEATING ELEMENT, AC 120V, 1000W



NOTE: FOR POWER SWITCH, AS SHOWN IN THE TABLE BELOW.

ITEM	SERIAL NUMBER (YDDD)	DIAGRAM PAGES
ALL	CURRENT PRODUCTION	1-2
PSG4-SSF120	UP TO O164	3-4
PSG4-SSF120-C	UP TO O018	



KEY COMPONENTS	
LABEL	DESCRIPTION
QS	POWER SWITCH, AC 120V, 20A
RT	REGULATING THERMOSTAT
HT	HIGH LIMIT THERMOSTAT
PL	PILOT LIGHT, AC 120V, GREEN
T-HE	TOP HEATING ELEMENT, AC 120V, 800W
B-HE	BOTTOM HEATING ELEMENT, AC 120V, 1000W